

159







**Power and style**



## Sporting performance and elegance in Saloon and Sportwagon.

The strong, harmonious lines of the Alfa Romeo 159 Saloon and Sportwagon were created by design maestro Giorgetto Giugiaro, and both models combine the elegance of a luxury saloon with the sporting performance of a GT. Designed to offer outstanding performance, handling and control even at the limit, the Alfa 159 turns each journey into a special experience. Inside, the beautifully finished, purposeful cabin is a haven of security.







### Even more power. Even better fuel consumption.

Engine development never stops at Alfa Romeo and today's engines offer improved power and fuel-efficiency. The 1750 TBI 200 bhp petrol engine develops a powerful 320 Nm of torque all the way from 1400 to 5000 rpm, for instant acceleration without the need to downshift. Alternatively, the 2.0 JTDM 136 bhp and the 2.0 JTDM 170 bhp diesel engine both feature a variable geometry turbocharger and delivers significantly lower fuel consumption and CO<sub>2</sub> emissions. All engines conform to Euro 5 standards.



## Sporting thoroughbreds.

The 159 engines excel both in city traffic and on the open road, making you feel in complete control of a true sporting thoroughbred. Both the Saloon and Sportwagon offer a choice of one petrol and two diesel engines, all characterised by impressive power and flexibility. The petrol engine is the outstanding 1750 TBI 200 bhp. If you prefer diesel power, the 159 range offers fuel-efficient and refined JTDM common rail turbo diesel technology, with a choice between the 2.0 litre 170 bhp engine or the entry level 2.0 litre 136 bhp engine.



	1750 TBI 200 bhp	2.0 JTDM 16v 136bhp	2.0 JTDM 16v 170 bhp
Displacement	1742 cc	1956cc	1956 cc
Torque	320 Nm at 1400 rpm	350 Nm at 1750 rpm	360 Nm at 1750 rpm
Transmission	Manual 6-speed	Manual 6-speed	Manual 6-speed
CO <sub>2</sub> (g/km)	189/194*	134/137*	139/142*
Emissions standard	Euro 5	Euro 5	Euro 5

\*Saloon/Sportwagon





## Feel in control behind the wheel.

Total control. That's the sensation when you take the wheel of an Alfa Romeo 159 and press the accelerator. Because that's when the raised double wishbone front suspension – a technology derived from the world of motor racing and applied exclusively by Alfa Romeo – comes into its own. This advanced suspension system ensures precise, linear steering, better traction and reduced pitching under braking. At the rear, multilink suspension controls wheel movement for optimised traction and grip.

Alfa Romeo developed its Electronic Q2 system to make the most of this high performance suspension. Electronic Q2 creates an effect similar to that of a limited slip differential, using the ESP control unit and the car's braking system to improve road holding, traction and stability. The result is precise, sporting handling and a feeling of complete control that only the 159 can offer.

The 159 also incorporates advanced electronic safety systems including ABS with EBD, VDC electronic stability control, ASR anti-slip control, HBA emergency braking assistance and Hill Holder for effortless hill-starts. A servo-assisted braking system ensures responsive and progressive braking action and minimal stopping distances.

## Technology and control





## A 5-star rating. The ultimate in motoring safety.

The 159 is built to protect. A maximum score in Euro NCAP safety tests shows that this objective has been achieved with distinction. 5 stars for the torsional rigidity of the 159's body shell, which is made from high strength steel, dual-phase steel and multi-thickness steel sheet, rigidly joined transversely and vertically using laser welding technology. 5 stars for the floorpan, lateral beams and rigid engine mounting structure. Alfa Romeo has even provided 6 airbags for total protection (Driver, passenger, front side & window) the a further optional passenger knee airbag. And we've thought of your children's safety too, with a three-point rear seat attachment for Isofix child seats.







### On-board technology.

The Alfa 159 comes with Blue&Me™, the hands-free system with voice recognition based on Windows Mobile® technology. You can use voice commands or the function keys on the steering wheel to operate your mobile phone over a Bluetooth® connection or to listen to music from a media player or USB drive.

If you like to save time and hassle with clear directions to your destination, the 159 offers Radio NAV, a satellite navigation system with a 6.5" colour LCD display with TMC PRO that also provides display and control functions for the radio, CD player and MP3 player.





## Trim levels.

Your own 159 can be tailored to reflect your personality with a choice of trim levels. Though different in the way they enhance performance and comfort, all models offer Alfa Romeo sporting exclusivity and luxury. You can choose from a wide range of optional equipment, including a wider range of alloy wheels, making your Alfa Romeo unique to you.





### **Turismo version.**

If you value individual style and innovative technology, the Turismo trim offers: dual zone automatic climate control • new sports cloth upholstery • black leather steering wheel and gear knob with remote controls • six airbags and VDC with Hill Holder (ABS + ASR + EBD + Brake Assist) • third rear head restraint • car radio with CD/MP3 player and 8 speakers • dials with white illumination • front fog lights • electrically folding wing mirrors • Blue&Me™ hands-free system • 17" Multi-spoke alloy wheels • cruise control • twin chrome exhaust tail pipes (only available on the 1750 TBi) • aluminium brake callipers with Alfa Romeo designation

Available with:

1750 TBi 200 bhp • 2.0 JTDM 16v 136 bhp • 2.0 JTDM 16v 170 bhp









### Lusso version.

Dedicated to drivers who demand the best. Features include: leather upholstery • visibility pack (rain, dusk & condensation sensor, electrochromic rearview mirror with deactivation button and Air Quality System) • stainless steel kick plates • darkened interior headlining • black aluminium centre console and steering wheel trim inserts

Available with:

1750 TBi 200 bhp • 2.0 JTDM 16v 136 bhp • 2.0 JTDM 16v 170 bhp



Lusso





### TI version.

The pure soul of Alfa Romeo. Without compromise. All the standard equipment of the Lusso plus: black sports leather/Alcantara upholstery • red painted brake callipers • lowered sports suspension • side skirts • chrome effect wing mirrors • aluminium sports pedals • heated front seats • 19" TI spoke alloy wheels

Available with:

1750 TBi 200 bhp • 2.0 JTDM 16v 136 bhp • 2.0 JTDM 16v 170 bhp



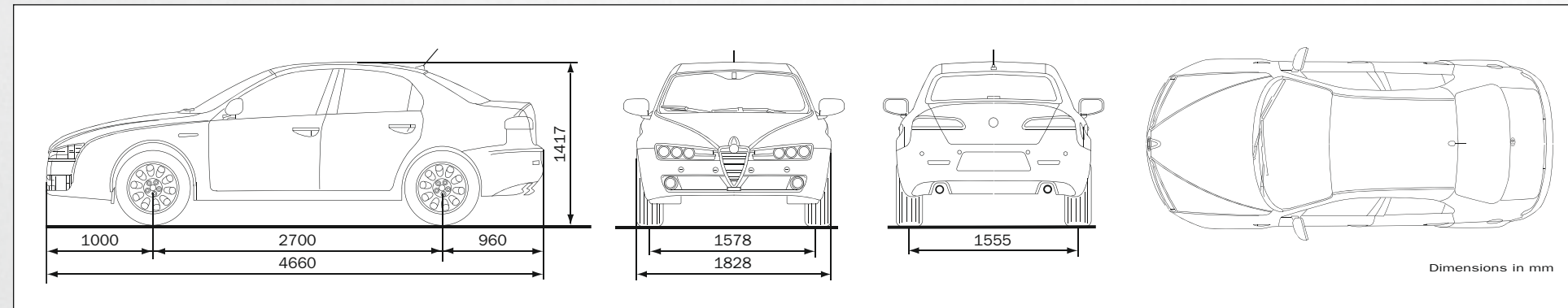
TI





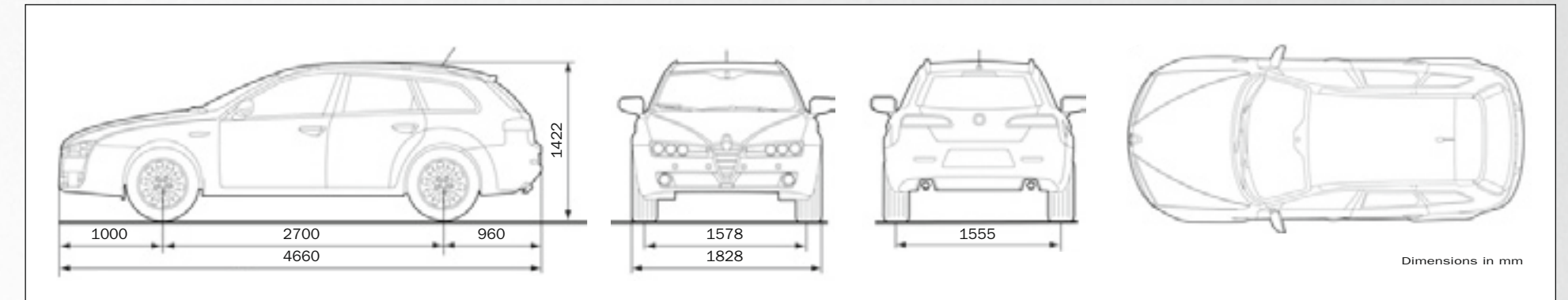


## 159 Dimensions



CHARACTERISTICS	2.0 JTD <sub>M</sub> 16v 136 bhp 2.0 JTD <sub>M</sub> 16v 170 bhp	1750 TBi 200 bhp
No. of seats	5	5
No. of doors	4	4
Length/Width (mm)	4,660 / 1,828	4,660 / 1,828
Height (mm)	1,417 (1,422 with 17" tyres)	1,422 (with 17" tyres)
Wheelbase (mm)	2700	2700
Front track (mm)	1,593 (1,578 with 17" tyres)	1,578 (with 17" tyres)
Rear track (mm)	1,573 (1,555 with 17" tyres)	1,555 (with 17" tyres)
Luggage compartment capacity (dm <sup>3</sup> )	405	405

## 159 Sportwagon Dimensions



CHARACTERISTICS	2.0 JTD <sub>M</sub> 16v 136 bhp 2.0 JTD <sub>M</sub> 16v 170 bhp	1750 TBi 200 bhp
No. of seats	5	5
No. of doors	5	5
Length/Width (mm)	4,660 / 1,828	4,660 / 1,828
Height (mm) with roof bars (mm)	1,417 (1,422 with 17" tyres) 1,447 (1,452 with 17" tyres)	1,422 (with 17" tyres) 1,452 (with 17" tyres)
Wheelbase (mm)	2700	2700
Front track (mm)	1,593 (1,578 with 17" tyres)	1,578 (with 17" tyres)
Rear track (mm)	1,573 (1,555 with 17" tyres)	1,555 (with 17" tyres)
Luggage compartment capacity (dm <sup>3</sup> )	445 / 1,245 with rear seats folded	445 / 1,245 with rear seats folded





## Technical Specifications

CHARACTERISTICS	1.750 TBI 200 bhp	2.0 JTDm 16V 136 bhp	2.0 JTDm 16v 170 bhp
No. of cylinders, arrangement	4 in line		
Bore x stroke (mm)	83.0 x 80.5	83.0 x 90.4	
Displacement (cc)	1742	1956	
Compression ratio	9.5 : 1	16.5 : 1	
Max. power output bhp (kW-EC) at rpm	200 (147) 5000	136 (100) 4000	170 (125) 4000
Peak torque Nm (kgm-EC) at rpm	320 (32.7) 1400	350 (35.7) 1750	360 (36.7) 1750
Timing system	2 OHCs (toothed belt), 4 valves per cylinder, hydraulic tappets with roller finger	2 OHCs (toothed belt), hydraulic tappets, 4 valves per cylinder	2 OHCs (toothed belt), hydraulic tappets, 4 valves per cylinder
Fuel feed	MED 17 direct injection with turbocharger integrated with ignition, scavenging functional mode	MultiJet direct injection with turbocharger and intercooler – Bosch EDC 16C39 electronic engine management system	
Exhaust pipe	Double with separate mufflers and chrome tips	One with polished tip	
<b>ELECTRICAL SYSTEM (12V)</b>			
Battery: capacity (Ah) / Generator (A)	90 / 120	90 / 150	
<b>TRANSMISSION</b>			
Drive	Front		
Number of gears	6 + 1R		
Final ratio	3.941 : 1	3.579: 1	3.545 : 1
<b>TYRES</b>			
Standard version	225/50 R17	205/55 R16	
<b>STEERING SYSTEM</b>			
Steering system	Rack and pinion with hydraulic servo		
Steering diameter kerb-to-kerb (m)	11.1		
<b>SUSPENSION</b>			
Front	High double wishbone		
Rear	Multilink architecture		
<b>BRAKES – (DISCS)</b>			
Front (mm)	Ventilated 330 x 28 D, fixed radial calliper in aluminium with 4 Ø 42 mm pistons	Ventilated 305 x 28 D, 60 mm floating calliper	
Rear (mm)	Ventilated 292 x 22 D, combined 42 mm floating calliper	Solid 278 x 12 D, combined 38 mm floating calliper	
<b>WEIGHTS – TANK CAPACITY</b>			
Fuel tank (lit.)	70		
Kerb weight DIN (kg)	1430 [1480]	1490 [1540]	
Max. towable weight (kg)	1500		
<b>PERFORMANCE</b>			
Top speed mph (km/h)	147 (235) [146 (233)]	126 (202) [124 (200)]	136 (218) [135 (216)]
Acceleration (driver + 30 kg) 0–62 mph (s)	7.7 [7.9]	9.9 [10.1]	8.8 [9.0]
<b>FUEL CONSUMPTION – EMISSIONS*</b>			
Urban cycle mpg (l/100km)	23.9 (11.8) [23.5 (12.0)]	42.8 (6.6) [41.5 (6.8)]	40.9 (6.9) [39.8 (7.1)]
Extra-urban cycle mpg (l/100km)	47.1 (6.0) [45.6 (6.2)]	67.3 (4.2) [65.7 (4.3)]	65.7 (4.3) [64.2 (4.4)]
Combined cycle mpg (l/100km)	34.9 (8.1) [34.0 (8.3)]	55.4 (5.1) [54.3 (5.2)]	53.3 (5.3) [52.3 (5.4)]
Exhaust emissions – CO <sub>2</sub> (g/km)	189 (194)	134 [137]	139 [142]
Emissions Standard	EU V		

\*According to 1999/100EC directive.  
Information in brackets [...] indicates data for the Alfa 159 Sportwagon



## Standard equipment and options

	1750 TBI 200 bhp / 2.0 JTDm 135 bhp / 2.0 JTDm 170 bhp		
EXTERIOR FITTINGS	TURISMO	LUSO	TI
Black longitudinal roof bars (Sportwagon only)	○	○	○
Aluminium longitudinal roof bars (Sportwagon only)	○	○	○
Tinted rear windows (Sportwagon only)	○	○	○
Electrically adjustable and heated wing mirrors	●	●	●
Electrically folding wing mirrors	●	●	●
Satin effect wing mirrors	–	○	●
Dark titanium finish wing mirrors	–	○	○
Hydrodynamic windscreen washer jets	●	●	●
Electrically operated sunroof	○	○	○
Metallic paint	○	○	○
Special paint (Alfa Red)	○	○	○
Exclusive paint (8C Red)	○	○	○
Single chrome exhaust tail pipe	○	○	●
Twin chrome exhaust tail pipes	– <sup>(1)</sup>	– <sup>(1)</sup>	– <sup>(1)</sup>
16" Design alloy wheels with 215/55 R16 tyres	●	–	–
16" 7 hole design alloy wheels with 215/55 R16 tyres	○	–	–
17" 5 double spoke alloy wheels with 225/50 R17 tyres	○	○	–
17" Multi-spoke design alloy wheels with 225/50 R17 tyres	○ <sup>(1)</sup>	●	–
17" 5 double spoke alloy wheels with dark titanium finish and 225/50 R17 tyres	–	○	–
17" Multi-spoke design alloy wheels with dark titanium finish and 225/50 R17 tyres	–	○	–
18" 5 hole design alloy wheels with dark titanium finish and 235/45 R18 tyres	–	○	–
18" Turbine design alloy wheels with 235/45 R18 tyres	○	○	–
19" TI spoke alloy wheels with 235/40 R19 tyres	–	○	●
19" TI spoke alloy wheels with dark titanium finish and 235/40 R19 tyres	–	–	○

● = standard ○ = optional – = not available  
<sup>(1)</sup> = Standard on 1750 TBI

## Standard equipment and options

	1750 TBI 200 bhp / 2.0 JTDm 136 bhp / 2.0 JTDm 170 bhp		
INTERIOR EQUIPMENT	TURISMO	LUSO	TI
Electric front and rear windows with one touch function and anti-intrusion sensor	●	●	●
Three height adjustable rear head restraints	●	●	●
Stainless steel kick plates	–	●	●
Front armrest with temperature controlled storage compartment	●	●	●
Rear armrest with ski tunnel	●	●	●
Electronic key with remote central locking and boot release	●	●	●
Dual zone automatic climate control	●	●	●
Tri-zone automatic climate control	–	○	○
Black leather steering wheel and gear knob	●	–	–
Black sports leather steering wheel and gear knob with black stitching	–	●	–
Black sports leather steering wheel and gear knob with red stitching	–	–	●
Steering wheel mounted audio controls	●	●	●
Steering wheel adjustable for distance and height	●	●	●
5 mm thick glass panes on front windows	●	●	●
Glove compartment with courtesy light	●	●	●
Luggage compartment with courtesy light	●	●	●
Front puddle lights	●	●	●
Diffused ambient lighting in cockpit	●	●	●
Courtesy lights with reading spotlights front and rear	●	●	●
Courtesy mirror on passenger sun visors with built-in light	●	●	●
Engine oil gauge	●	●	●
Internal electric boot release switch	●	●	●
Internal central locking / release switch for doors	●	●	●
Electronic start / stop button	●	●	●
Dark painted centre console and steering wheel trim inserts	●	–	–
Light painted dashboard and door trim inserts	●	–	–

● = standard ○ = optional – = not available



## Standard equipment and options

INTERIOR EQUIPMENT	1750 TBI 200 bhp / 2.0 JTDM 136 bhp / 2.0 JTDM 170 bhp		
	TURISMO	LUSSO	TI
Black aluminium centre console and steering wheel trim inserts	–	●	●
Dark chrome painted dashboard and door trim inserts	–	●	●
Carbon fibre centre console and steering wheel trim inserts	–	○	○
Sports seats	–	–	●
Heated front seats	○	○	●
60 / 40 split folding rear seats with storage compartment in armrest	○ <sup>(1)</sup>	○ <sup>(1)</sup>	●
Smoking kit	○	○	○
Front seats manually adjustable (height, rake, lumbar adjustment for driver and passenger)	●	●	●
Mechanical tilting action for driver and passenger seats	●	●	●
Electrically adjustable seats with memory on driver's side	–	○	○
Sports cloth upholstery	●	–	–
Leather upholstery	–	●	–
Black sports leather / Alcantara upholstery	–	–	●
Sports leather upholstery	–	–	○
Frau® Pieno Fiore leather upholstery	–	○	–
On-board instrumentation with multi-functional display	●	●	●
Trip computer	●	●	●
Windscreen with infrared reflecting layer and tinted anti-dazzle band	○	○	○
Cruise control	●	●	●
Aluminium sports pedals	○	○	●

● = standard   ○ = optional   – = not available  
<sup>(1)</sup> = Standard on 1750 TBI

## Standard equipment and options

SAFETY / MECHANICAL PARTS	1750 TBI 200 bhp / 2.0 JTDM 136 bhp / 2.0 JTDM 170 bhp		
	TURISMO	LUSSO	TI
6 Airbags – Driver, passenger, front side & window	●	●	●
Passenger knee airbag	○	○	○
Front airbag deactivation on passenger's side	●	●	●
Alfa code Immobiliser	●	●	●
Alarm system	●	●	●
VDC (ABS + ASR + EBD + Brake Assistant) with Hill Holder	●	●	●
Fire Prevention System (FPS)	●	●	●
Isofix attachments for child seat protection	●	●	●
Front seat belts with load limiter and pretensioner on buckle	●	●	●
Anti-intrusion bars in front and rear doors	●	●	●
Self-adjusting rear seat belt	●	●	●
Headlight washer system	○	○	○
Bi-Xenon discharge headlights with headlight washer system	○	○	○
Rear parking sensors	○	●	●
Front and rear parking sensors with graphical display	○	○	○
Brake pad wear and braking system failure sensor	●	●	●
Aluminium brake callipers with Alfa Romeo designation	●	●	●
Lowered sports suspension and side skirts	–	–	●
"Follow-me-home" headlights	●	●	●
Fog lights	●	●	●
Child safety locks on rear doors	●	●	●
Fuel cap secured by central locking	●	●	●
Particulate filter (DPF) on diesel versions	●	●	●
Space saver spare steel wheel	●	●	●

● = standard   ○ = optional   – = not available



## Standard equipment and options

	1750 TBI 200 bhp / 2.0 JTDm 136 bhp / 2.0 JTDm 170 bhp		
TECHNOLOGY	TURISMO	LUSSO	TI
Car radio with CD / MP3 player and 8 speakers	●	●	●
Hi-Fi Bose® sound system with digital amplifier (8 speakers + 1 central + subwoofer)	○	○	○
Blue&Me™ (Bluetooth™ hands-free system with voice recognition and media player with USB port in the glove box)	●	●	●
Radio NAV satellite navigation system with TMC PRO and 6.5" colour display with European maps on SD card	○	○	○
PACKS			
Visibility Pack (rain, dusk & condensation sensors, electrochromic rearview mirror with deactivation button and Air Quality System)	○	●	●
Saloon utility pack (floor mats and luggage retaining nets)	○	○	○
Sportwagon utility pack (floor mats and luggage retaining nets)	○	○	○

● = standard ○ = optional – = not available



### 5 star safety

Alfa Romeo 159 heads its category for active and passive safety. Because its equipment is so comprehensive, it received the most prestigious acknowledgement in the motoring safety field: a EuroNCAP 5 star rating.

	Saloon & Sportwagon		
Engines	TURISMO	LUSSO	TI
2.0 JTDm 16v 136 bhp	■	■	■
2.0 JTDm 16v 170bhp	■	■	■
1750 TBI 200bhp	■	■	■

■ = available – = not available

## Wheels



### 56J

16" design alloy wheels with 215/55 R16 tyres (Standard on Turismo)

### 415

16" 7 hole design alloy wheels with 215/55 R16 tyres (Optional on Turismo)



### 4WQ

17" 5 double spoke alloy wheels with 225/50 R17 tyres (Optional on Turismo and Lusso)

### 55E

17" multi-spoke design alloy wheels with 225/50 R17 tyres (Optional on Turismo\*, Standard on Lusso)

### 5EV

17" 5 double spoke alloy wheels with dark titanium finish and 225/50 R17 tyres (Optional on Lusso)

### 431

17" Multi-spoke design alloy wheels with dark titanium finish and 225/50 R17 tyres (Optional on Lusso)



### 5A6

18" 5 hole design alloy wheels with dark titanium finish and 235/45 R18 tyres (Optional on Lusso)

### 4AY

18" Turbine design alloy wheels with 235/45 R18 tyres (Optional on Turismo and Lusso)



### 435

19" TI spoke alloy wheels with 235/40 R19 tyres (Standard on TI)

### 5ER

19" TI alloy wheels with dark titanium finish and 235/40 R19 tyres (Optional on TI)

\*Standard on 1750 TBI Turismo



## Equipment



Front parking sensors and fog lights



Aluminium roof bars



Dual zone automatic climate control



Tri-zone automatic climate control

## Equipment



Electrically adjustable and heated seats with memory on driver's side



159 Sportwagon – 60 / 40 split folding rear seats with storage compartment in armrest



## Alfa Romeo at your Service

### 3 YEAR ALFACARE DEALER WARRANTY†

†All Alfa Romeo UK cars are covered by 3 years unlimited mileage warranty covering parts, materials and labour. This comprises a two-year unlimited mileage manufacturer's warranty plus a further one-year unlimited mileage Dealer Warranty. Please refer to the Alfa Romeo Service and Warranty Booklet for full terms and conditions.

### 8 YEAR ANTI-PERFORATION WARRANTY

Subject to regular inspections being carried out, any perforation of the bodywork, due to corrosion, will be repaired free of charge of all parts and labour charges during the first 8 years.

### 3 YEAR PAINTWORK WARRANTY

Any paintwork defects, due to faulty materials or manufacture, will be rectified free of charge during the first 3 years.

### ALFA ROMEO INFORMATION AND CUSTOMER SERVICE

A freephone number (00800 2532 0000) gives you access to our dedicated information and customer service facilities, providing you with details of Alfa Romeo dealers offering additional services such as extended workshop hours, Auto Clinic and Approved Bodyshop facilities. Alfa Romeo also believes it is important to stay in contact with you and will, subject to your agreement, telephone you from time to time to ensure you are happy with your Alfa Romeo and the service you receive from your dealer.

### FIXED SERVICE COSTS

All Alfa Romeo dealers operate a 'Menu Pricing' programme that guarantees fixed service and maintenance costs with no hidden extras. The price you see is the price you'll pay unless you have given your consent for further work to be carried out. The following insured products and services are provided through Alfa Romeo Financial Services\*

## Insured Products and Services

The following insured products and services are provided through Alfa Romeo Financial Services.\*

### 3 YEAR AA CONTACT ROADSIDE ASSISTANCE†

All new Alfa Romeo cars come with 3 year's AA Contact, which includes Roadside Assistance, Home Start, Relay, Relay Plus, European Cover. This insured service is provided free of charge and is available 24 hours a day, throughout the year and also includes access to travel information, legal advice and technical information.

### ALFA ROMEO MOTOR INSURANCE

Comprehensive car insurance at competitive premiums, with up to 65% No Claims Bonus transferable from your existing policy after five years of claim free driving. For a quotation, either ring 0800 023 2247, or visit online through [www.alfaromeo.co.uk](http://www.alfaromeo.co.uk)

### ALFA ROMEO CONTRACT HIRE\*\*

Very competitive quotations can be obtained through Alfa Romeo Contract Hire for companies, company car drivers with a "User Chooser" policy or even for private customers. Contracts include full term road fund licence and AA Assistance and are also available with or without maintenance. Contract Hire finance facilities are available subject to credit approval. Written quotations are available from Alfa Romeo Contract Hire, 240 Bath Road, Slough, Berkshire, SL1 4DX.\*\*\*

### ALFA ROMEO FINANCIAL SERVICES

Who better to design a range of bespoke finance for your Alfa Romeo than Alfa Romeo? And how reassuring to know that the finance options available are as beautifully structured as the car itself. Alfa Romeo Financial Services have been created to meet the demands of the discerning Alfa Romeo driver – and as you'd expect, it offers more in every sense. You'll find the rates on a variety of finance plans very competitive, including Alfa Romeo Preferenza, Hire Purchase, Lease Purchase or Finance Leasing. We can also offer you insurance that protects you against the possibility of not being able to meet your payments or in the event of your vehicle being stolen or written off. Whether you are a business or a private customer, your Alfa Romeo dealer can explain the benefits of these options and provide a bespoke quotation to help you to choose the package that best suits your needs. Beautiful cars, beautifully financed – what could be more fitting? Written quotations are available from Alfa Romeo Financial Services, 240 Bath Road, Slough, Berkshire, SL1 4DX.\*\*\*

†The AA support service and the third year dealer warranty are only applicable to UK vehicles sourced from Alfa Romeo UK.

\*Alfa Romeo Financial Services is a trading style of FGA Capital UK Limited. FGA Capital UK Limited is authorised and regulated by the Financial Services Authority for General Insurance.

\*\*Alfa Romeo Contract Hire is a trading style of FGA Contracts UK Limited which is an appointed representative of FGA Capital UK Limited.

\*\*\*Credit available to anyone aged 18 or over, subject to status. A guarantee and / or indemnity.

### [www.alfaromeo.co.uk](http://www.alfaromeo.co.uk)

To experience the pleasure of ownership and driving your new Alfa Romeo, the journey starts on [www.alfaromeo.co.uk](http://www.alfaromeo.co.uk), the latest interactive way of researching and selecting your next car. All the information you need about the company, its products, customer service support, finance and insurance, latest campaigns and the dealer network are at your fingertips. You can also read up on what the press are saying about our vehicles in our News Centre. So visit our website and arrange a test drive at your nearest Alfa Romeo dealer today.









## Upholstery

### Sports cloth

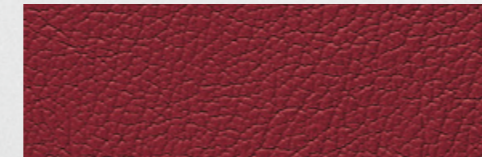


298  
Black



288  
Black/Red

### Leather



401  
Red

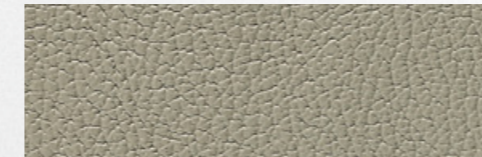


445  
905  
Beige

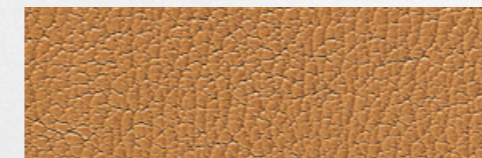
### Sports Leather / Alcantara



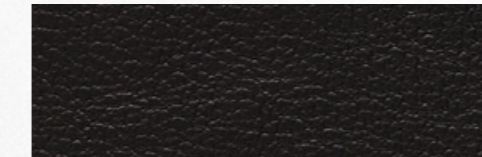
878  
Black



907  
Grey



465  
505  
Natural



402  
529  
908  
Black

## Dashboard Colours



Black/Black



Black/Beige

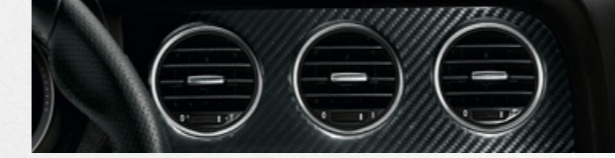
## Trim Inserts



Dark painted centre console (Turismo)



Black aluminium centre console (Lusso and TI)



Carbon fibre centre console (optional on TI)

## Body Colours





# Colour Combinations

TRIM LEVEL	STANDARD ON TURISMO		OPTIONAL ON TURISMO, STANDARD ON LUSO				OPTIONAL ON LUSO			STANDARD ON TI	OPTIONAL ON TI	
	Sports cloth		Leather				Frau® Pieno Fiore leather			Sports leather / Alcantara	Sports leather	
Seat colour	Black	Black / Red	Black	Natural	Red	Black / Beige	Black	Grey	Black / Beige	Black	Black	Natural
Dashboard colour	Black	Black	Black	Black	Black	Black	Black	Black	Black	Black	Black	Black
Interior headlining	Black	Black	Black	Black	Black	Beige	Black	Black	Beige	Black	Black	Black
Opt code	298	288	402	465	401	445	908	907	905	878	529	505
<b>SOLID</b>												
601 Black	●	●	●	●	●	●	●	●	●	●	●	●
296 Ghiaccio White	●	●	●	●	●	●	●	●	●	●	●	●
<b>SPECIAL (OPTION 5B2)</b>												
289 Alfa Red	●	●	●	●	●	●	●	●	●	●	●	●
<b>EXCLUSIVE (OPTION 4SA)</b>												
115 8C Red	—	—	● <sup>(1)</sup>	● <sup>(1)</sup>	● <sup>(1)</sup>	● <sup>(1)</sup>	●	●	●	●	●	●
<b>METALLIC (OPTION 210)</b>												
565 Alfa Silver	●	●	●	●	●	●	●	●	●	●	●	●
660 Indaco Grey	●	●	●	●	●	●	●	●	●	●	●	●
567 Oltremare Blue	●	●	●	●	●	●	●	●	●	—	—	—
568 Titanio Grey	●	●	●	●	●	●	●	●	●	—	—	—
651 Stromboli Grey	●	●	●	●	●	●	●	●	●	●	●	●
876 Carbonio Black	●	●	●	●	●	●	●	●	●	●	●	●

● = available    — = not available  
<sup>(1)</sup> — optional on Lusso only

**Alfa InfoMore**  
 00 800 2532 0000 For information: Freephone

Data, descriptions and illustrations are intended solely as a guide and product characteristics may differ from those represented, sometimes for manufacturing reasons. Alfa Romeo reserves the right to make any changes to its products. Some of the items described and/or photographed in the brochure are options. See the price list for a full list.

Alfa Romeo – Marketing – 04.5.0535.02 – S – 10/2011 – Printed in the UK

Dealer's stamp	 <a href="http://www.alfaromeo.co.uk">www.alfaromeo.co.uk</a>
----------------	---



[www.alfaromeo.co.uk](http://www.alfaromeo.co.uk)