



ORA

# THE NEW CITY CAR

OPEN - RELIABLE - ALTERNATIVE

**ORA** *adora*



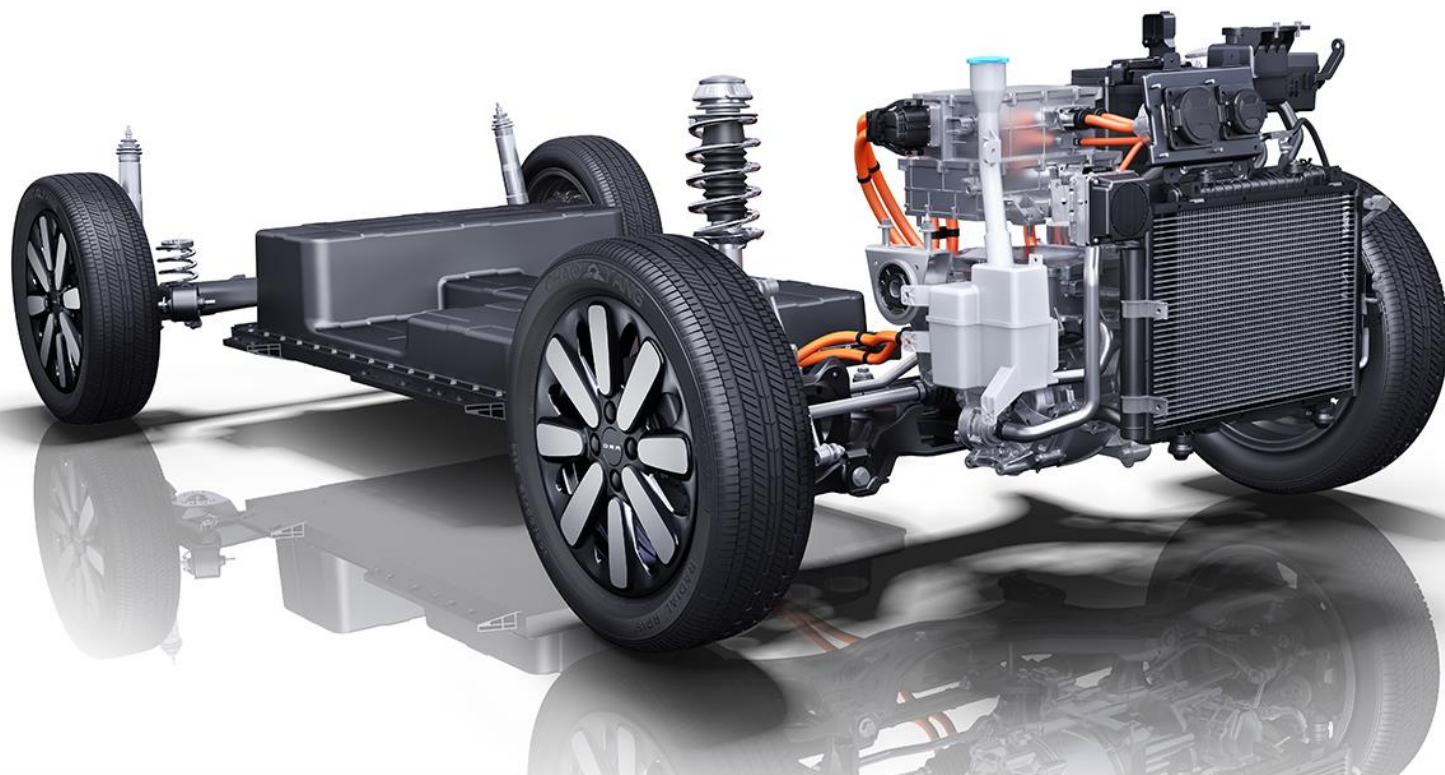
**405**<sub>KM</sub>  
LONG RANGE

## **THE NEW CITY CAR**

The **ORA** *adora* is as a consumer-friendly, long range and high intelligence New City Car.  
Your new love on the road...



**ORA** *adora*



## TECHNOLOGICAL INNOVATION

The **ORA** *adora* is built on the ME platform. The past 10 years the architecture of ME platform was developed by Great Wall Motors. It resulted in the first exclusive platform for electric vehicles in China, with six core technical advantages.



## LONG MILEAGE

---

**ORA** *adora* built on the ME platform has effectively improved the vehicle's maneuverability, runs more stable, consumes less power and has a long range of 405 km.

## HIGH SAFETY

---

ME platform integrates the battery pack with the chassis, which not only makes the overall center of gravity of the vehicle 15% lower than of the fuel vehicle, but also ensures the integrity of the battery pack during collision and improves the safety of the vehicle.





## MULTI MEDIA

---

The **ORA** *adora* interaction system can be upgraded by means of FOTA with vehicle-mounted **WIFI**. The car comes with Apple Car play and Android auto.

## FULL INTELLIGENCE

---

The electrical architecture is divided into four domains of autopilot, audio and video, car body and power for management with functions including mobile phone key, TJA, AEB, APA, FOTA, **smart ID** and voice recognition.





## LOW CONSUMPTION

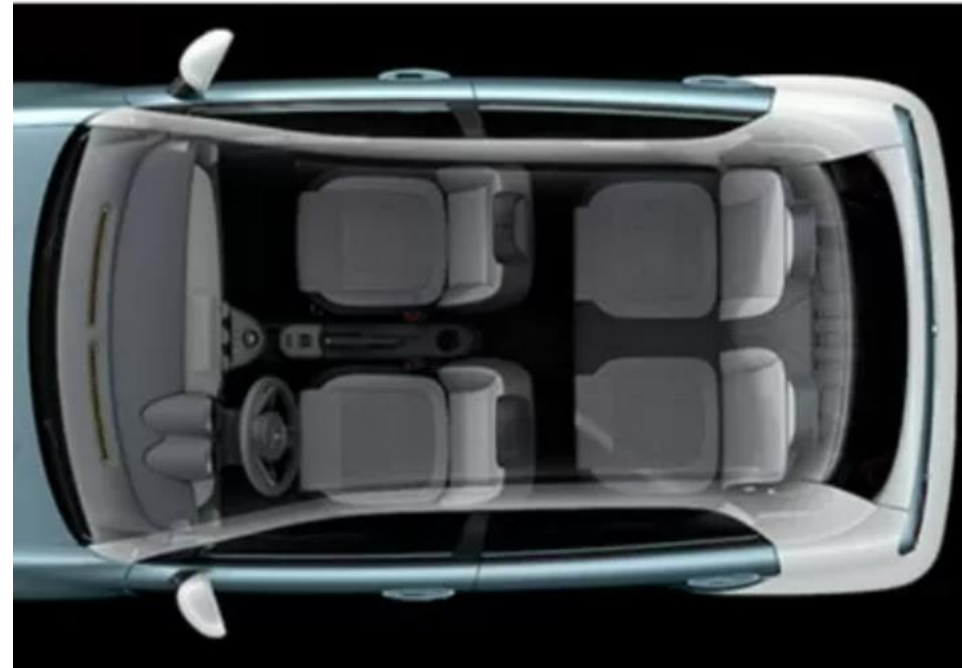
---

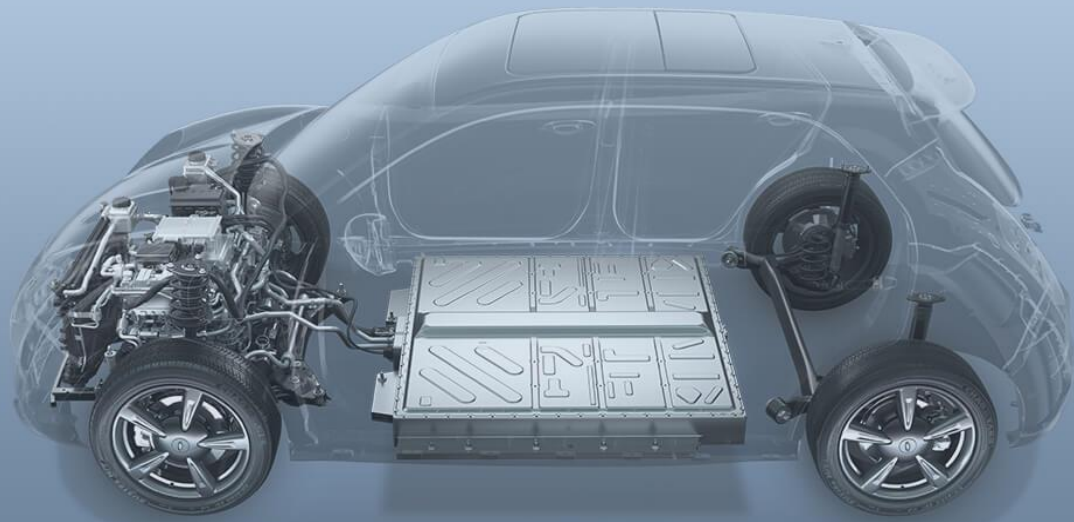
**ORA** *adora* has a curb weight of 1000KG, which is more efficient in both power consumption and charging speed.

## LARGE SPACE

---

Great Wall Motors ORA ME exclusive electric platform adopts the design concept of short body, long wheelbase, four wheels and four corners, which bring a **larger interior space**.





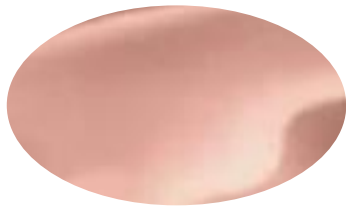




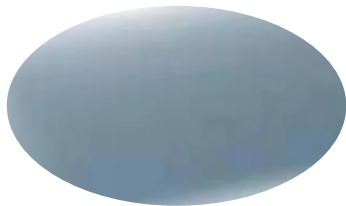
# Exterior & interior

**ORA** *adora*

## Exterior



*Powder rose*



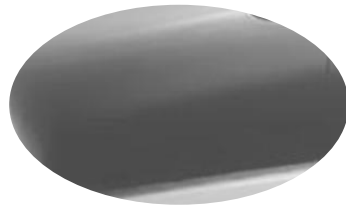
*Sky blue*



*Atlantic blue*



*Titanium white*

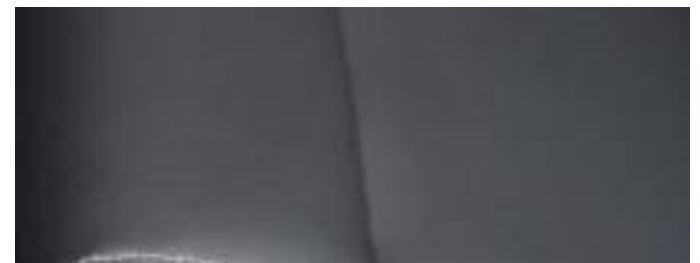


*Starry silver*

## Interior



*Fabric black/gray*



*Leather black\**

*\*optional*

# Specifications

**ORA** *adora*

## Technical data

L/W/H (mm)	3495/1660/1560
Wheel Base (mm)	2475
Min. Ground Clearance (mm)	140
Curb Weight (kg)	1000
Wheel	175/55 R16
Trunk Volume (L)	200
Trunk Volume (L)-Rear Seats Reclined	872
Electrical Machinery	Permanent Magnet Synchronous Motor
Peak Power (Kw)	45
Peak Torque (N·m)	130
0-50km/h Acceleration Time(s)	5,6
Maximum Speed (km/h)	102
Battery Type	Ternary Polymer Lithium Battery
Battery Capacity (kWh)	37
Fast Charging(DC)	●
Fast Charging (DC) Duration	30 minutes(30%-80%, in normal temperature)
Regular Charging (AC)-6.6kW	●
Regular Charging (AC) Duration	6 hours
Intelligent Charging System	●
Low Temperature Battery Heating	●
Regenerative Braking System	●

# Specifications

**ORA** *adora*

## Interior

Interior Seats	Fabric
6-way Manual Adjustable Driver Seat	●
4-way Manual Adjustable Front Passenger Seat	●
Front Sun visors + Make-up mirrors	●
Electrically Adjustable Rear View mirror	●
Anti-glare Interior Rearview Mirror	●
USB	2
Speakers	4
Electrical AC	●
DLCC	●
Intelligent single pedal control system	●
One Click Start	●
ECO mode	●
PM2.5 Filter	●
Reading Light	●
Big Storage Trunk Cabinet	●
Rear Seats Reclined	●

## Exterior

16 inch steel wheels rims(175/55 R16 tyre)	●
Halogen Headlamps	●
LED Daytime Running Lamps	●
High Mount Stop Light	●
Single Windshield Wiper	●
Rod-shaped Antenna	●
ADORA logo	●

## Infotainment

9 inch Screen + Apple carplay & Android auto	●
IFLYTEK intelligent voice interaction system	●
Ora APP store	●
FOTA Upgrading System	●
4G Internet	●
AMAP Intelligent Navigation System	●
Voice Control Navigation & Music	●
Mobile Phone Link	●
Bluetooth Virtual Key	●
Long range Control by APP	●
Bluetooth Key + Remote Control Key	●
Voice Control through Speed	●
Front DVR	●

# Specifications

**ORA** *adora*

## Safety & technology

Driver&Passeger Front Airbag	●	Front Brake	Disc
Driver&Passeger Side Airbag	●	Rear Brake	Disc
Front& Rear Side Curtain Airbag	●	Parking Brake System	Electric
Park distance control	●	Front Suspension	Mcpherson independent
Reverse camera	●	Rear Suspension	Twist Beam
Acoustic alerting at low speed	●	Steering Type	EPS
Auxiliary rear-view mirror	●	Tire Inflators and sealants	●
FCW - Forward Collision Warning	●		
AEB - Automatic Emergency Braking	●		
TPMS - Tyre Pressure Monitor System	●		
ABS - Anti-lock Braking System	●		
EBD - Effictive Brake System	●		
HSA - Hill Start Assist	●		
ESP - Electronic Stability Program	●		
TCS - Traction Control System	●		
Pre-crash seat belt	●		
Warning system fasten seat belt	●		
ISOFIX Child Safety Seats	●		
Automatic door lock	●		



**ORA** *adora*

E: [info@xinlu.eu](mailto:info@xinlu.eu)

T: +31(0)70 216 1502

M: +31(0)6 29 214 266

