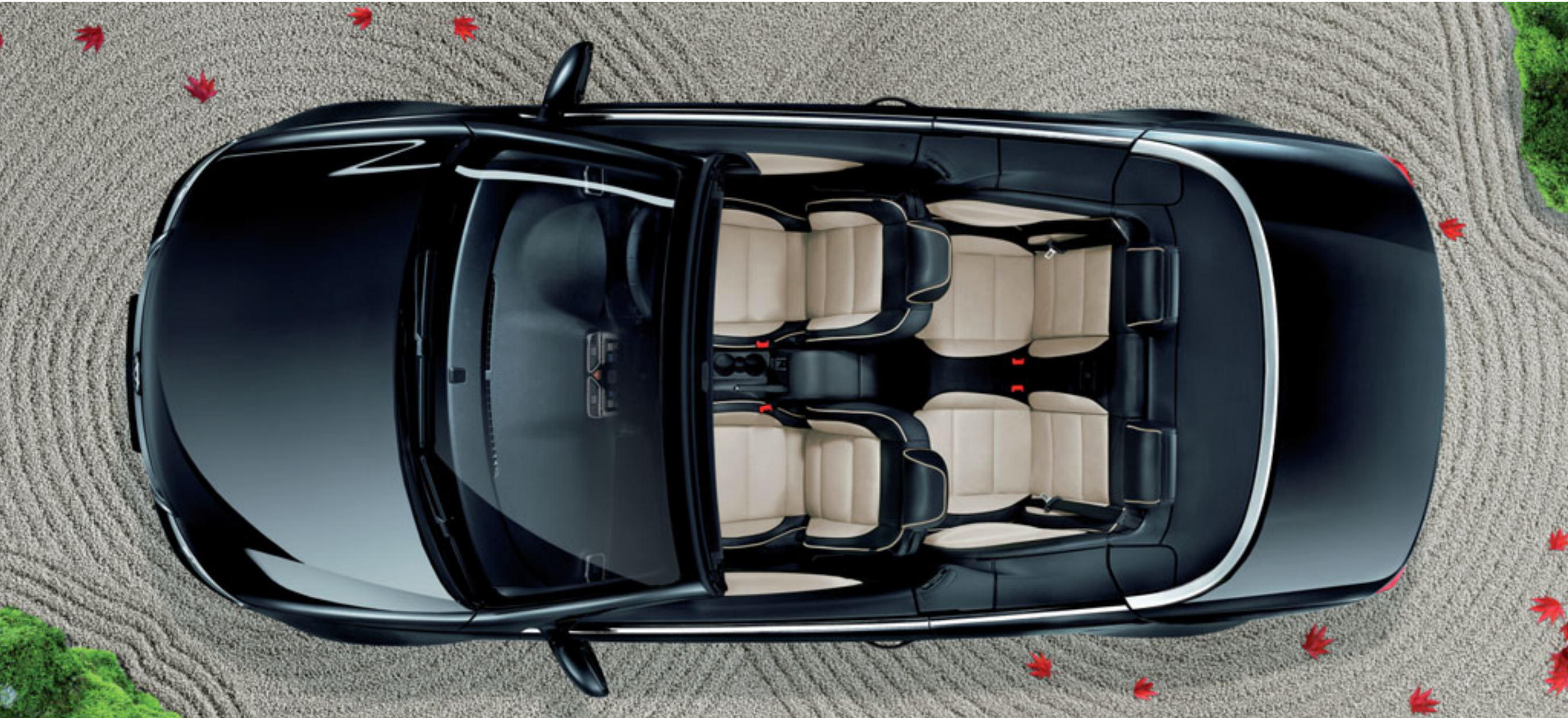




The Eos Individual

Some illustrations in this brochure do not necessarily reflect UK specifications and may not be available. In particular, controls and some items of equipment are positioned differently for the UK. The specifications contained in this brochure are for information purposes only and are subject to change. If you require any specific feature, you must consult your authorised Volkswagen retailer who is regularly updated with any change in specification. Please check model availability and full specification details with your authorised Volkswagen retailer prior to ordering.





Stand out from the crowd with this truly individual coupé cabriolet, upholstered in the luxurious two-tone 'Nappa' leather combination of Cornsilk Beige and Titanium Black.

Fact yet fantasy, restrained yet inspirational, understated yet indulgent. Opposites unite in the Eos Individual, a car uniquely designed to satisfy both heart and head in one exceptional package. Technical capability is enhanced perfectly by aesthetic refinement and attention to detail, as the Volkswagen Individual logo on the front side panels attests.

Of course, you can keep the Eos Individual to yourself, but with four generous seats, why not share the experience with others? After all it's not every day you get the opportunity to be individual yet altruistic at the same time.



Listen to your heart and your head.



The chrome-plated radiator grille surround and louvres proudly highlight the unmistakable mark of the Volkswagen roundel.



Sporty 18" 'Chicago' alloy wheels provide the finishing touch to a stylish, dynamic exterior.



Clean striking lines combining elegance and style, creates the exterior styling of the Eos.

Once seen, never forgotten.

Carefully crafted to make a lasting impression, that's the new Eos Individual. Its stylish silhouette and rich paint finish demanding to be noticed, its chrome-plated radiator grille surround and louvres, and door side sill strips with 'Individual' logo underlining its unique appearance. With 18 inch 'Chicago' alloy wheels, lowered sports suspension and a stylish leather trimmed sports steering wheel hinting at the exhilarating drive in store, why fight the temptation? Put the Eos Individual through its paces and discover an awesome combination of style and agility.



Controls located in the driver's door are easily accessible and are elegantly framed with the beige door panel inserts.

Exclusively yours for true individuality.

The interior of the Eos Individual really is something special. You'll notice that as soon as you look inside. Side sill strips are decorated with the 'Individual' logo, which is also embossed on the front head restraints. Slip into one of the sumptuous front sports seats with electric lumbar support and you'll find soft 'Nappa' leather* in Cornsilk Beige and contrasting Titanium Black. It's a colour scheme repeated throughout the interior – the interior door trim, exclusive textile floor mats and trim seams all echoing the gentle beige and elegant black theme. Deep 'Piano Black' lacquer, applied by hand in several layers to create a rich, three-dimensional structure and depth, adorns the decorative inserts in the dashboard, centre console and door trims, providing the perfect finishing touch to the passenger compartment. If you're looking for something that is truly individual, you need look no further. This is original styling at its best.

*Some parts of leather interior will contain artificial leather.

Deep front sport seats with electric lumbar support in striking two-tone 'Nappa' leather ensure you arrive in both comfort and style.





The ergonomically designed leather trimmed steering wheel is finished off with beige stitching to create both a sensuous and visual impact. Interior shown features optional DVD navigation/radio system.



The beige contrast stitching theme is continued on the gear lever gaiter.

The connoisseur looks beyond the obvious for the finer details. And it is here that the Eos Individual excels, with every element introduced to create fusion and add to the overall ambience. Such as the beige stitching on the leather trimmed three-spoke sports steering wheel, gear lever knob and handbrake grip, for example, carefully applied to complement the exclusive Cornsilk Beige and Titanium Black colour combination of the interior. Unobtrusive, understated, unassuming. Yet making a clear statement that true quality is always revealed in the detail, the materials selected and simplicity of design. The Eos Individual. A classic design in every way.

This classic design belies the revolutionary technology encompassed in the automatic DSG gearbox. Standard on the Sport 3.2 V6 and available for all other models, the DSG gearbox offers a genuine alternative to a manual gearbox, providing super smooth and extremely fast gear changes with performance and economy figures comparable to the manual.

It's the finer details that make the difference.

Standard equipment.

Standard items of equipment Eos Individual (2.0 T-FSI, 2.0 TDI)

Volkswagen service

- 3-year/60,000 miles warranty (whichever is soonest)
- 3-year paintwork warranty
- 12-year body protection warranty
- Volkswagen Roadside Assistance

Please see service section for more details

Safety

- ABS (Anti-lock Braking System) with HBA (Hydraulic Brake Assist)
- Active rollover protection system
- Automatic hazard lights activation under emergency braking
- Brake pad wear indicator
- Combined curtain and side impact airbag system, for front and rear seat occupants
- Disc brakes, front and rear (front ventilated)
- Door side impact protection
- Driver's and front passenger's airbags with passenger's airbag deactivation switch
- Driver's and front passenger's WOKS (whiplash-optimised head restraints)
- ESP (Electronic Stabilisation Programme) including EDL (Electronic Differential Lock) and ASR (Traction Control)
- Front three-point seat belts with tensioners
- Isofix child seat preparation (for 2 rear child seats)
- Luggage roll cover, with sensor
- Rear head restraints x 2
- Rear three-point seat belts x 2
- Rigid safety cell with front and rear crumple zones
- Warning buzzer and light for front seat belts if unfastened
- Warning reflectors in doors
- 3rd brake light

Interior

- Aluminium-look pedals – clutch, brake and accelerator
- Carpet mats, front and rear with beige edging
- Door sill strip with 'Individual' logo
- Leather trimmed three-spoke sports steering wheel, gear knob and handbrake grip with beige stitching
- 'Piano Black' decorative inserts in dash and centre console
- Upholstery – Door panels in Cornsilk Beige artificial leather
- Upholstery – Two-tone 'Nappa' leather in Cornsilk Beige/Titanium Black with beige piping and 'Individual' logo embossed on front head restraints

Exterior

- Alloy wheels, four 8J x 18 'Chicago' with 235/40 R18 tyres and anti-theft wheel bolts
- Body-coloured bumpers
- Body-coloured door handles
- Body-coloured door mirrors with integrated indicators incorporating LED technology
- 'Cherry red' rear light clusters
- Chrome-plated radiator grille surround and louvres
- CSC roof system – 5 section folding roof, including slide/tilt sunroof
- Galvanised body
- Halogen clear headlights, range adjustable
- Heat insulating green tinted glass
- Rear lights incorporating LED technology

Standard items of equipment Eos Individual (2.0 T-FSI, 2.0 TDI) – continued

Function

- Air conditioning, 2Zone electronic climate control
- Alarm with interior protection
- Automatic boot unlocking
- CSC roof system controls integrated into front centre armrest
- CSC roof system operation, optical and audible warning
- Cup holder, front x 2
- Dust and pollen filter
- Easy entry sliding seats (for access to rear seats)
- Electric windows, front and rear
- Electrically heated and adjustable door mirrors
- Electronic engine immobiliser
- Exterior temperature gauge
- Flat tyre indicator
- Footwell illumination, front and rear
- Front centre armrest with storage compartment, 12V socket and tray
- Front fog lights
- Front seat back storage pockets
- Front sport seats with electric lumbar support
- Glovebox, cooled, lockable and illuminated
- Heated front seats

- Heated rear window with timer deactivation
- Height and reach adjustable steering wheel
- Instrument lighting, blue adjustable panel illumination
- Interior lighting with interior delay and dimming function
- Lockable load-through provision (rear bench seat fixed)
- Luggage compartment light
- Multifunction computer (Midline)
- Parking sensors, rear
- Power-assisted steering, speed-sensitive
- RCD 300 radio/single CD player with 8 speakers
- Reading lights, front x 2
- Remote central locking with 2 folding keys
- Remote interior fuel flap opener
- Sports suspension, lowered by approx. 15 mm
- Storage compartments in doors
- Temporary steel space saver spare wheel
- Tray and 12V socket, front
- Two-tone horn
- Vanity mirrors, illuminated
- Warning 'lights on' buzzer

Additional items of equipment Eos Individual 3.2 V6 (3.2 V6 FSI)

Function

- Automatic coming/leaving home lighting function
- Automatic dimming interior rear-view mirror
- Dusk sensor, automatic driving lights
- Electrically foldable door mirrors with electrically dimming driver's door mirror
- Rain sensor

The above specifications are for information purposes only as our products are continually updated and changes may be made to the specifications at any time. If you require any specific feature, you must consult your authorised Volkswagen retailer who is regularly updated with any change in specification. Specifications are subject to change without notice.



The optional DVD navigation/radio system will not only guide you to your chosen destination, but you also have the choice of either an armrest-mounted CD autochanger or iPod preparation, to provide entertainment during your journey.

The ultimate sound system at your fingertips.



The RCD 300 radio/single CD player with eight speakers.



The optional RCD 500 radio/dash-mounted six CD autochanger with eight speakers.



Optional iPod preparation is conveniently mounted in the front centre armrest.



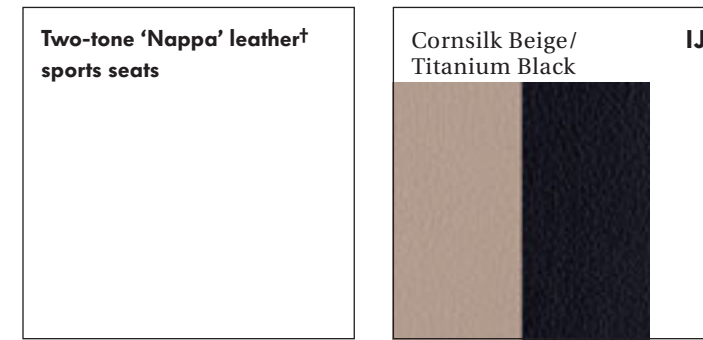
The optional 'Dynaudio' Soundpack creates the acoustics of your chosen music venue – from rock to classical.

The RCD 300 radio/single CD player fitted as standard to the Eos Individual provides excellent sound quality via eight speakers optimally positioned in the front and rear. The optional RCD 500 includes a dash-mounted six CD autochanger to provide hours of listening pleasure. If you should choose, an optional DVD navigation/radio system with 6½ inch colour screen will not only guide you to your chosen destination via visual directions and audible instructions, but will also include either armrest-mounted iPod preparation or six CD autochanger. Choose either of these two options and you can also specify the Dynaudio Soundpack, delivering a powerful 600 Watt output through ten front and rear speakers for even better acoustics. Specially tailored for the Eos Individual, it gives you the potential to turn your vehicle into a virtual concert hall, and with the option of having the roof up or down, you decide whether your concert is indoors or in the open air. Literally thousands of your favourite songs can accompany you on every journey using iPod preparation mounted in the front centre armrest. With this option you can play your favourite tracks via the radio system or optional multifunction steering wheel. With perfect acoustics at your fingertips, what greater driving experience could you ask for?

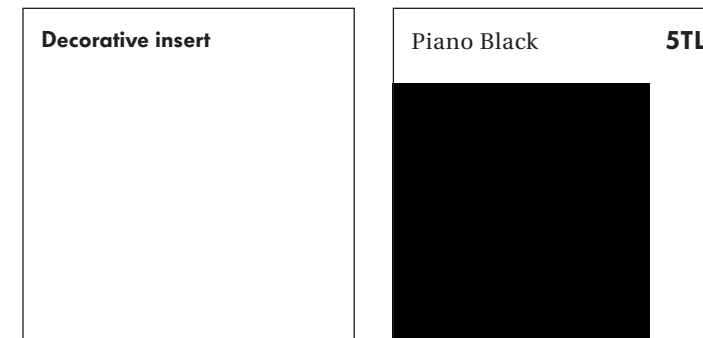
Paint.



Upholstery.



Decorative insert.



Combinations.

	Upholstery	Carpets	Dashboard – top/bottom	Paprika Red H7	Midnight Blue metallic U1*	Deep Black pearl effect 2T*	Island Grey pearl effect C9*
Two-tone 'Nappa' leather† sports seats	Cornsilk Beige/ Titanium Black (IJ)	Black with beige edging	Black/Cornsilk Beige	●	●	●	●

● Standard

Please note: Screen technology does not allow for exact reproduction of the paint and upholstery colours. For further details, please contact your Volkswagen retailer.

* Metallic and pearl effect paint are optional at extra cost.
† Some parts of leather interior will contain artificial leather.

2.0 litre T-FSI 200 PS. Technical specification.

		Manual	Automatic
Engine	Engine type	Four cylinder petrol	Four cylinder petrol
	Cubic capacity, ltrs/cc	2.0/1984	2.0/1984
	Max. output, PS ⁽⁰¹⁾ /kW at rpm	200/147 5100-6000	200/147 5100-6000
	Max. torque, lbs.ft/Nm at rpm	207/280 1800-5000	207/280 1800-5000
	Gearbox	Six speed manual	Six speed auto DSG
Weights, kgs	Unladen weight ⁽⁰²⁾	1536	1557
	Gross vehicle weight	2000	2020
	Payload ⁽⁰²⁾	464	463
	Axle load limit: Front Rear	1070 960	1090 960
Trailer load limits, kgs ⁽⁰³⁾	Braked 12% incline	1500	1500
	Unbraked	750	750
	Towbar load limit	75	75
Performance	Top speed†, mph (km/h)	144 (232)	142 (229)
	Acceleration, secs 0 - 62 mph	7.8	7.9
	ABI insurance group	TBA	TBA
Environmental information	Fuel grade, minimum	Unleaded, 95 RON ⁽⁰⁴⁾	Unleaded, 95 RON ⁽⁰⁴⁾
	Fuel tank capacity, galls/ltrs	12.1/55	12.1/55
	Official fuel consumption, mpg/ltr per 100 km ⁽⁰⁶⁾		
	Urban	25.2/11.2	25.0/11.3
	Extra-urban	43.5/6.5	43.5/6.5
	Combined	34.4/8.2	34.4/8.2
	Official CO ₂ emission, g/km ⁽⁰⁷⁾	194	194
Emission class	EURO 4	EURO 4	
Noise, dB	72.0	68.0	

† Where the law permits.

Notes.

- 01) The maximum power output figures are quoted in PS (or Pferdestärke, which is the metric equivalent of horsepower). To convert from metric to imperial horsepower, divide the PS figure by 1.0139.
- 02) Figures are calculated in accordance with manufacturer's criteria. Vehicle unladen weight ranges with 90% tank capacity without driver. The individual unladen weight depends on the specification of the vehicle, this then reduces the possible payload accordingly.
- 03) With increasing altitude the engine performance diminishes. From 1,000 m above sea level and for every 1,000 m thereafter 10% of the vehicle/trailer weight (trailer weight + gross vehicle weight) must be deducted.
- 04) Thanks to the knock control, unleaded four star (at least 95 RON) can be used instead of Super plus unleaded. In order to achieve maximum fuel consumption benefits on the FSI engine, Ultra Low Sulphur Petrol (ULSP) must be used.
- 05) The use of RME and FAME (bio diesel) is not possible.
- 06) Official fuel consumption according to EU Directive 99/94. The consumption calculation according to 1999/100/EC is based on the actual unladen weight of the vehicle. Additional specifications can lead to a higher weight class and hence to consumption figures of this higher weight class. The driving style, road and traffic conditions, environmental influences and vehicle condition can in practice lead to consumption figures, which may differ from those calculated with this standard.
- 07) Increased weight of a vehicle, including higher trim levels and the addition of options will have a detrimental influence on the level of fuel consumption and CO₂ emissions produced. The CO₂ and fuel consumption figures are obtained from tests on a representative vehicle of the type, conducted and approved in accordance with Council Directive 80/1268/EEC as amended by Directive 1999/100/EC (or later) on the approximation of the laws of the member states relating to the carbon dioxide emissions and the fuel consumption of motor vehicles.

3.2 litre V6 FSI 250 PS. Technical specification.

		Automatic	
Engine	Engine type	Six cylinder petrol	
	Cubic capacity, ltrs/cc	3.2/3189	
	Max. output, PS ⁽⁰¹⁾ /kW at rpm	250/184 6300	
	Max. torque, lbs.ft/Nm at rpm	244/330 2500-3000	
	Gearbox	Six speed auto DSG	
Weights, kgs	Unladen weight ⁽⁰²⁾	1627	
	Gross vehicle weight	2090	
	Payload ⁽⁰²⁾	463	
	Axle load limit: Front Rear	1110 1000	
Trailer load limits, kgs ⁽⁰³⁾	Braked 12% incline	1500	
	Unbraked	750	
	Towbar load limit	75	
Performance	Top speed†, mph (km/h)	153 (247)	
	Acceleration, secs 0 - 62 mph	7.3	
	ABI insurance group	TBA	
Environmental information	Fuel grade, minimum	Unleaded, 95 RON ⁽⁰⁴⁾	
	Fuel tank capacity, galls/ltrs	12.1/55	
	Official fuel consumption, mpg/ltr per 100 km ⁽⁰⁶⁾		
	Urban	21.1/13.4	
	Extra-urban	41.5/6.8	
	Combined	30.7/9.2	
	Official CO ₂ emission, g/km ⁽⁰⁷⁾	219	
Emission class	EURO 4		
Noise, dB	73.0		

† Where the law permits.

Notes.

- 01) The maximum power output figures are quoted in PS (or Pferdestärke, which is the metric equivalent of horsepower). To convert from metric to imperial horsepower, divide the PS figure by 1.0139.
- 02) Figures are calculated in accordance with manufacturer's criteria. Vehicle unladen weight ranges with 90% tank capacity without driver. The individual unladen weight depends on the specification of the vehicle, this then reduces the possible payload accordingly.
- 03) With increasing altitude the engine performance diminishes. From 1,000 m above sea level and for every 1,000 m thereafter 10% of the vehicle/trailer weight (trailer weight + gross vehicle weight) must be deducted.
- 04) Thanks to the knock control, unleaded four star (at least 95 RON) can be used instead of Super plus unleaded. In order to achieve maximum fuel consumption benefits on the FSI engine, Ultra Low Sulphur Petrol (ULSP) must be used.
- 05) The use of RME and FAME (bio diesel) is not possible.
- 06) Official fuel consumption according to EU Directive 99/94. The consumption calculation according to 1999/100/EC is based on the actual unladen weight of the vehicle. Additional specifications can lead to a higher weight class and hence to consumption figures of this higher weight class. The driving style, road and traffic conditions, environmental influences and vehicle condition can in practice lead to consumption figures, which may differ from those calculated with this standard.
- 07) Increased weight of a vehicle, including higher trim levels and the addition of options will have a detrimental influence on the level of fuel consumption and CO₂ emissions produced. The CO₂ and fuel consumption figures are obtained from tests on a representative vehicle of the type, conducted and approved in accordance with Council Directive 80/1268/EEC as amended by Directive 1999/100/EC (or later) on the approximation of the laws of the member states relating to the carbon dioxide emissions and the fuel consumption of motor vehicles.

2.0 litre TDI DPF 140 PS. Technical specification.

		Manual	Automatic
Engine	Engine type	Four cylinder diesel	Four cylinder diesel
	Cubic capacity, ltrs/cc	2.0/1968	2.0/1968
	Max. output, PS ⁽⁰¹⁾ /kW at rpm	140/103 4000	140/103 4000
	Max. torque, lbs.ft/Nm at rpm	236/320 1800	236/320 1800
	Gearbox	Six speed manual	Six speed auto DSG
Weights, kgs	Unladen weight ⁽⁰²⁾	1548	1570
	Gross vehicle weight	2010	2040
	Payload ⁽⁰²⁾	462	470
	Axle load limit: Front Rear	1070 970	1110 970
Trailer load limits, kgs ⁽⁰³⁾	Braked 12% incline	1500	1500
	Unbraked	750	750
	Towbar load limit	75	75
Performance	Top speed †, mph (km/h)	127 (205)	126 (203)
	Acceleration, secs 0 - 62 mph	10.4	10.3
	ABI insurance group	TBA	TBA
Environmental information	Fuel grade, minimum	Diesel ⁽⁰⁵⁾	Diesel ⁽⁰⁵⁾
	Fuel tank capacity, galls/ltrs	12.1/55	12.1/55
	Official fuel consumption, mpg/ltr per 100 km ⁽⁰⁶⁾		
	Urban	35.3/8.0	31.7/8.9
	Extra-urban	56.5/5.0	51.4/5.5
	Combined	47.1/6.0	42.2/6.7
	Official CO ₂ emission, g/km ⁽⁰⁷⁾	158	177
Emission class	EURO 4	EURO 4	
Noise, dB	72.0	69.0	

† Where the law permits.

Notes.

- 01) The maximum power output figures are quoted in PS (or Pferdestärke, which is the metric equivalent of horsepower). To convert from metric to imperial horsepower, divide the PS figure by 1.0139.
- 02) Figures are calculated in accordance with manufacturer's criteria. Vehicle unladen weight ranges with 90% tank capacity without driver. The individual unladen weight depends on the specification of the vehicle, this then reduces the possible payload accordingly.
- 03) With increasing altitude the engine performance diminishes. From 1,000 m above sea level and for every 1,000 m thereafter 10% of the vehicle/trailer weight (trailer weight + gross vehicle weight) must be deducted.
- 04) Thanks to the knock control, unleaded four star (at least 95 RON) can be used instead of Super plus unleaded. In order to achieve maximum fuel consumption benefits on the FSI engine, Ultra Low Sulphur Petrol (ULSP) must be used.
- 05) The use of RME and FAME (bio diesel) is not possible.
- 06) Official fuel consumption according to EU Directive 99/94. The consumption calculation according to 1999/100/EC is based on the actual unladen weight of the vehicle. Additional specifications can lead to a higher weight class and hence to consumption figures of this higher weight class. The driving style, road and traffic conditions, environmental influences and vehicle condition can in practice lead to consumption figures, which may differ from those calculated with this standard.
- 07) Increased weight of a vehicle, including higher trim levels and the addition of options will have a detrimental influence on the level of fuel consumption and CO₂ emissions produced. The CO₂ and fuel consumption figures are obtained from tests on a representative vehicle of the type, conducted and approved in accordance with Council Directive 80/1268/EEC as amended by Directive 1999/100/EC (or later) on the approximation of the laws of the member states relating to the carbon dioxide emissions and the fuel consumption of motor vehicles.

The technology.

Transmission

- Six speed manual: 2.0 litre T-FSI 200 PS, 2.0 litre TDI DPF 140 PS
- Six speed automatic DSG: 2.0 litre T-FSI 200 PS, 3.2 litre V6 FSI 250 PS, 2.0 litre TDI DPF 140 PS

Brakes

- Electronically controlled Anti-lock Braking System (ABS) with Electronic Brake-pressure Distribution (EBD)
- Hydraulic Brake Assist (HBA)

Steering

- Electro-mechanical steering rack, height and lengthways adjustable
- Collapsible safety steering column

Running gear

- Electronic Stabilisation Programme (ESP) including Electronic Differential Lock (EDL) and Traction Control (ASR)

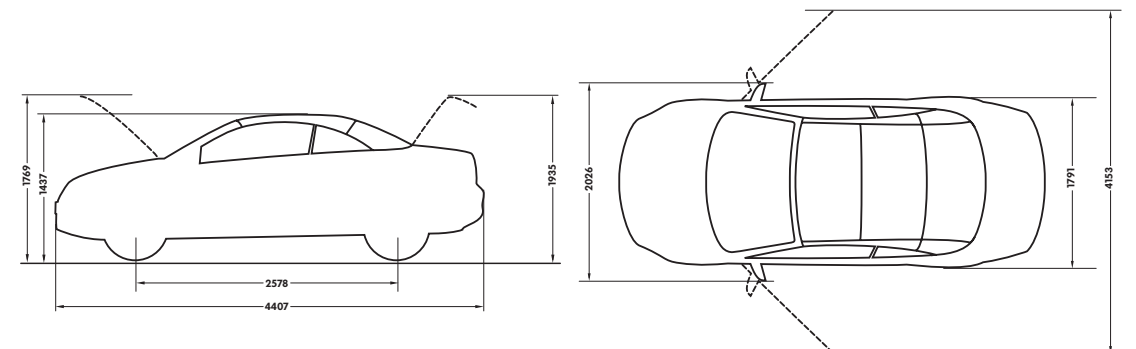
Engines

- Front transverse-installed engine
- 2.0 litre/200 PS⁽⁰¹⁾ (147 kW) petrol engine: four cylinder in-line engine, aluminium cylinder head, four valves per cylinder with roller rocker finger valve drive, electronic direct injection (FSI), variable inlet valve timing, programmed ignition with cylinder-selective anti-knock control, four single spark ignition coils, longlife spark plugs, exhaust gas turbocharger, three-way close-coupled pre-catalyst and underbody catalyst, lambda control
- 3.2 litre/250 PS⁽⁰¹⁾ (184 kW) petrol engine: six cylinder transverse engine in 'V' format, aluminium cylinder head, four valves per cylinder with roller rocker valve lever drive, electronic indirect injection, six single spark ignition coils, three-way catalyst, lambda control
- 2.0 litre/140 PS⁽⁰¹⁾ (103 kW) diesel engine: four cylinder in-line engine, cast iron cylinder block four valves per cylinder, electronically controlled direct injection with pump injector unit ('Pumpe Düse'), oil cooler, intercooler, exhaust gas recirculation, turbocharger with variable turbine geometry, catalytic converter or catalytic coated diesel particulate filter

01 The maximum power output figures are quoted in PS (or Pferdestärke, which is the metric equivalent of horsepower). To convert from metric to imperial horsepower, divide the PS figure by 1.0139.

Technical specification dimensions.

Maximum luggage capacity, litres VDA measuring method using 200 x 100 x 50 mm blocks	As coupé (3.2 V6 FSI)	380 (358)
	As cabriolet (3.2 V6 FSI)	205 (183)
Exterior dimensions	Length, mm	4407
	Width – including door mirrors, mm	2026
	Width – excluding door mirrors, mm	1791
	Width – opened front doors, mm	4153
	Height, mm	1437
	Height – opened bonnet/floor, mm	1769
	Height – opened tailgate/floor, mm	1935
	Wheelbase, mm	2578
Turning circle, metres	10.9	



Volkswagen service for your peace of mind.

The Volkswagen Warranty.

Three-year Warranty.

All Volkswagen Eos' come with a three-year/60,000 miles warranty, which protects your car against the failure of most mechanical and electrical components due to manufacturing defects. This comprises a two-year manufacturer's warranty with unlimited mileage plus a further one-year/60,000 miles (whichever is soonest) Retailer Warranty. Should the mileage exceed 60,000 miles within the first two years, the manufacturer's two-year warranty will still be valid. If an additional warranty for subsequent years or higher mileage is desired, it may be purchased from an authorised Volkswagen retailer or repairer; however, this additional warranty must be purchased before the mileage reaches 60,000*. Full details of the three-year warranty are available from your authorised Volkswagen retailer or repairer.

* All warranty work must be completed by an authorised Volkswagen retailer or repairer.

Three-year Paint Warranty.

The paintwork of the Eos is covered against manufacturing defects for a period of three years. Naturally, the Eos must be cared for in compliance with the operating instructions which will be found in your vehicle handbook. Please consult your authorised Volkswagen retailer or repairer for full warranty details.

12-year Body Protection Warranty.

The internal body sections and panels of the Eos' are covered against rusting through from the inside for 12 years. Naturally, the Eos must be cared for in compliance with the operating instructions. Please consult your authorised Volkswagen retailer or repairer for full warranty details.

Service Intervals.

Volkswagen are pleased to offer you a choice on how your Eos is serviced. The appropriate selection is entirely dependent on how the car is likely to be driven and its general use. To help you identify which type of service would be most suitable, please refer to the following guide.

The Time and Distance Service is recommended for vehicles that will cover less than 10,000 miles in 12 months and if the vehicle is likely to be used in the following way:

- Predominantly urban driving, short journeys with frequent cold starts.
- Activities regularly producing high engine loading, e.g. frequent hill climbs, driving with vehicle fully loaded and towing.
- Uneconomical driving style using high rpms with heavy acceleration and heavy braking.

The service intervals for the Time and Distance Service are as follows:

- Oil change service
Every 10,000 miles/1 year (whichever is soonest).
- Interval service
Every 20,000 miles/2 years (whichever is soonest).
- Interval service inspection
Every 40,000 miles/4 years (whichever is soonest).

The LongLife Service is recommended for vehicles with a daily mileage of more than 25 miles where the vehicle is driven regularly mainly on longer distance journeys. The vehicle is driven mainly at a constant speed with minimum vehicle and engine loading, minimal towing and driven in an economical manner.

With the LongLife Service the vehicle can cover anywhere between 10,000[†] and a maximum of 20,000[†] miles or 24 months (whichever is soonest).

[†] Please note that mileages are approximate as the service indicator system uses kilometres as the distance measurement. Please consult your authorised Volkswagen retailer or repairer for advice and full details.

Approved Accessories.

A comprehensive range of accessories from alloy wheels to carpet mats is available to complement the factory-fitted option list. Volkswagen approved accessories purchased from and fitted by your authorised Volkswagen retailer at the point of vehicle sale will also benefit from the three-year vehicle warranty.

Extended Warranty.

You may purchase additional protection from your authorised Volkswagen retailer or repairer, or contact 0870 9000 115.

Volkswagen Finance[‡].

Volkswagen Finance specialises in providing funding solutions for Volkswagen drivers. Whether your Volkswagen is for private or business use, you can choose from a range of funding options.

- Solutions – a personal contract plan
- Hire purchase
- Lease purchase
- Finance lease
- Contract hire

With all Volkswagen Finance products you can choose a fixed-cost maintenance plan to help you budget for your servicing and maintenance costs.

No matter what finance product you choose, your local Volkswagen retailer will be able to provide you with a personalised quote that could meet your budget and vehicle needs.

[‡] Volkswagen Finance is a trading name of Volkswagen Financial Services (UK) Limited.

An offer of finance depends on certain conditions.

Available to people over 18 in the UK only.

Volkswagen Insurance[±].

Competitive and comprehensive motor insurance designed especially for Volkswagen drivers. All new and Approved Used Volkswagens come with complimentary seven-day cover upon request – we'll e-mail a cover note straight to your retailer, enabling them to tax your car easily. This way, you can drive straight out of the showroom. Taking out annual cover is easy and it can start when the seven-day cover expires. For more information contact your local Volkswagen retailer or call 0800 051 3136.

[±] Volkswagen Insurance is underwritten and administered by Zurich Insurance Company. Volkswagen Insurance is a trading name of Volkswagen Insurance Service (Great Britain) Limited which is an appointed representative of Volkswagen Financial Services (UK) Limited. Zurich Insurance Company and Volkswagen Financial Services (UK) Limited are both authorised and regulated by the Financial Services Authority.

Volkswagen Roadside Assistance.

Every new car is registered for Volkswagen Roadside Assistance for one year. This provides vehicle home and roadside recovery in the unlikely event of a breakdown in the UK and Europe (subject to conditions). Volkswagen Roadside Assistance can also be purchased for subsequent years. For full details, please contact your authorised Volkswagen retailer or repairer.

Tax Free Sales.

For full details, please contact your authorised Volkswagen retailer.

CO₂ Emission.

Increased weight of a vehicle, including higher trim levels and the addition of options will have a detrimental influence on the level of fuel consumption and CO₂ emissions produced.

The CO₂ and fuel consumption figures are obtained from tests on a representative vehicle of the type, conducted and approved in accordance with Council Directive 80/1268/EEC as amended by Directive 1999/100/EC (or later) on the approximation of the laws of the member states relating to the carbon dioxide emissions and the fuel consumption of motor vehicles.

Please Note:

Some illustrations in this brochure do not necessarily reflect UK specifications and may not be available. In particular, controls and some items of equipment are positioned differently for the UK.

The specifications contained in this brochure are for information purposes only and are subject to change. If you require any specific feature, you must consult your authorised Volkswagen retailer who is regularly updated with any change in specification. Please check model availability and full specification details with your authorised Volkswagen retailer prior to ordering.

Note: We would like to advise you that telephone calls to Volkswagen Customer Care may be monitored and recorded as part of our training and quality assurance processes. All our monitoring and recording processes meet Ofcom regulations.