



MASERATI



Levante

Levante

CONTENTS

Extraordinary Disposition Levante—the Maserati of SUVs	4
A History of Character	12
Exteriors	16
Interiors	22
Gran Duo Levante GranLusso and GranSport	30
Epic V8 Power Levante GTS and Levante Trofeo	50

Engines	64
Technology	70
The Sound of Quality Harman Kardon and Bowers & Wilkins Premium Audio Systems	80
Safety	84
Levante Technical Specifications	94
The World of Maserati	96



EXTRAORDINARY DISPOSITION



GranSport

Force OF NATURE

Maserati has a history of naming its cars after the world's most famous winds. It started in 1963 with the legendary Mistral. Then came the Ghibli, the Bora and the Khamsin. And most recently, the Levante joined the illustrious Maserati range.

The Levante wind blows across the Mediterranean and can change from benign calm to gale force in an instant. The Maserati SUV has a similar nature, although its powerful forces always remain in control. In true Maserati grand touring tradition, comfort and control are paramount—whatever the speed or distance.

The Levante, in its most powerful form, can reach 60 mph from a standing start in an astonishing 3.7 seconds. At the same time, you are carried in the elegantly appointed, perfectly balanced luxury of a large and spacious SUV. Thanks to Maserati Q4 intelligent all-wheel drive, the Levante maintains its elegant composure even when the going gets rough.

As for the design, the Levante is authentically Maserati, both in terms of its dramatically graceful style and purity of dynamic purpose.

The Levante and the more powerful Levante S have two optional trims available: the GranLusso and the GranSport. GranLusso emphasizes style and luxury appointments. GranSport, meanwhile, accentuates engaging driving dynamics. Each offers a Maranello-built, twin-turbocharged engine, an enhanced choice of paint colors, trims and alloy wheels, available Adaptive Full LED headlamps, and advanced Integrated Vehicle Control that delivers increased responsiveness. This final innovation comes as standard across all versions.



European model shown.

The Maserati Levante GTS and Levante Trofeo bristle with advanced features and both come with high-revving V8 engines that generate exceptional levels of power and acceleration. The GTS takes grand touring to new heights in terms of power and comfort, while the Trofeo displays extraordinary performance, with a truly remarkable engine that develops 590 hp and peak torque of 538 lb-ft.

Embark on a powerful journey—with the Maserati of SUVs.





H



A HISTORY OF CHARACTER

The TRUE SPIRIT OF MASERATI

The Levante SUV embodies the enduring, intrepid and progressive spirit of Maserati as part of a story that dates back more than 100 years. Maserati officially opened for business in **1914** at No. 1 Via de' Pepoli in Bologna, but the wheels were in motion long before. In **1900**, Rodolfo Maserati's eldest son, Carlo, built a single-cylinder engine and fitted it to a bicycle. At just 17 years of age, Carlo raced his bicycle to victory in a punishing, long-distance rally in northern Italy. A short while later, the intrepid youngster designed another engine and fitted it to a wooden car chassis. This was, arguably, the world's first Maserati automobile.

The Maserati drive to innovate, and its passion for speed, made the transition into elite motorsport inevitable. It was a move that reaped countless rewards on the world stage. Here are just a few of the many historic successes: In **1926**, Alfieri Maserati drove the Maserati Tipo 26 to victory in its first-ever race—the Targa Florio in the mountains of Sicily. In **1939**, Wilbur Shaw won the Indianapolis 500 at the wheel of the Maserati "Boyle Special" 8 CTF at an average speed of more than 115 mph. Shaw repeated this feat the following year, making Maserati the only European manufacturer to win the Indianapolis 500 twice. In the late **1940s**, Maserati took a luxurious turn by creating the A6 1500 production grand tourer. This was built in our current home in Modena and featured sensuous Pininfarina coachwork. The convertible A6G Frua Spyder soon followed.

Since then, all Maserati production models have followed this unique formula, offering race-bred performance, captivating Italian design and all the luxuries and comfort you would expect from a prestigious grand tourer. The striking design of the Maserati Levante SUV continues this long-standing tradition while adding yet another compelling dimension to the driving experience.





E

A dark, moody photograph of a book spine and cover, with the word "EXTERIORS" centered in white serif font. The book is positioned on the left side of the frame, with its spine and cover visible. The background is a deep, dark color, creating a high-contrast, minimalist aesthetic. The lighting is soft and directional, highlighting the texture of the book's cover and spine.

EXTERIORS

The Maserati logo, featuring a stylized trident symbol on the left and the word "Maserati" in a cursive script on the right. Below the script, the words "DESIGN LANGUAGE" are written in a bold, black, serif, all-caps font.

Maserati

DESIGN LANGUAGE

When it comes to design language, the Levante speaks fluent Maserati. And wherever you look, the messages are clear and compelling. Visual and functional highlights include an aggressively sculpted front grille with chromed bars that impart an elegantly imposing look, given the elevated SUV proportions. The stance is complemented by muscular, arching front fenders that bear the iconic triple air vents and the ever-present Saetta logo on the steeply tapered, coupe-like rear section. Such details, along with frameless door windows, the subtle spoiler and quad tailpipes, make an emphatic statement about the Levante's unique strength from every angle.



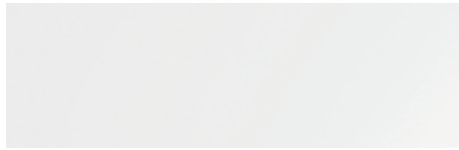
Sophisticated EXTERIOR COLORS

To enhance the eye-catching allure of the Levante, Maserati offers a striking complement of paint finishes. Each color reflects a different side of the Maserati personality and captures the boldness and sophistication for which the Trident is renowned.



NERO* (Solid Paint)

A black Maserati is synonymous with discipline, independence and strength. It makes a self-assured statement of power, control and authority.



BIANCO (Solid Paint)

White is color at its purest. It is the color of perfection and new beginnings—a blank canvas on which to make your indelible mark.



GRIGIO (Metallic Paint)

Mature and responsible, grey imparts a sense of calm and composure. It conveys in an understated way the awesome power of a Maserati.



GRIGIO MARATEA (Metallescent Paint)

A special grey that is found in the rocks that form Maratea's Cave of Wonders, located along the stunning Tyrrhenian coastline in the south of Italy.



NERO RIBELLE (Mica Paint)

Ever the rebel—Maserati is unconventional, radical and unique, just like this deep and intense black, suggesting dark stone like Italian marble and granite.



BLU PASSIONE* (Mica Paint)

A subtle blue for those with a passion for traveling long distances in comfort and style, who are mindful of Maserati's grand touring heritage.



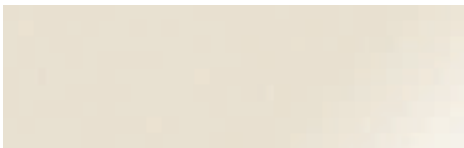
BLU EMOZIONE (Mica Paint)

This brilliant blue expresses the true Maserati soul. It is an emotional link that pays tribute to the color of Bologna, where the company was founded in 1914.



RAME (Mica Paint)

This copper metal color is overwhelming in its intensity and brilliance, and brings with it a unique, radiant and truly individual personality.



BIANCO ALPI (Tri-coat Paint)

A brilliant, shining white that reflects the purity of the snow-covered Italian Alps, world-renowned for their beauty and sporting allure.



BLU NOBILE* (Tri-coat Paint)

This deep, dark blue with sparkling glass flakes glimmers in the sunlight. Evoking nature's tranquility, it complements the flowing lines of the Levante.

* Not available on GTS and Trofeo



INTERIORS

Enter THE UPPER ATMOSPHERE

The interior of the Levante expresses authentic Maserati character, with elegant Italian style, meticulously crafted finishes and a race-bred energy that inspires luxurious, long-distance travel. The Levante also offers a liberating feeling of space for everyone on board. This, along with the commanding SUV driving position, may come as a surprise given the vehicle's coupe-like exterior.

Leather, available in a palette of sumptuous colors, is a highlight of every Levante. Options include Pieno Fiore hand-stitched natural leather seats, dashboard and side panels, accented with genuine wood, metal net or carbon fiber trim. An elegant aluminum rotary controller for the infotainment system, an abundance of useful storage, and the flexibility of 60/40 folding rear seats with a 20.5-cubic-foot cargo compartment exemplify the Levante's purposeful design. The available hands-free power trunk has a kick sensor that allows you to open the tailgate by simply moving your foot beneath the rear bumper. Other practical touches include dual-zone or optional four-zone automatic climate control and an air quality sensor.





High-Gloss Metal Weave trim shown.

Elegant INTERIOR TRIMS

The purposeful ambience of the cabin is another powerful design feature of the Levante. Lavish available interior trims add to the appeal of this sanctuary and further increase the options for personalization. Among them are these premium selections.

OPEN PORE REGIMENTAL

Textures from the fashion industry and revered by the leading couturiers of Milan inspired this tactile open-pore wooden veneer. The resulting effect suggests ultra-modern luxury with more than a hint of sportiness. Like all our new trims, Open Pore Regimental took around a year to develop from original concept to finished product, as our artisans in Italy patiently perfected every detail. The result is both stunning and sophisticated.

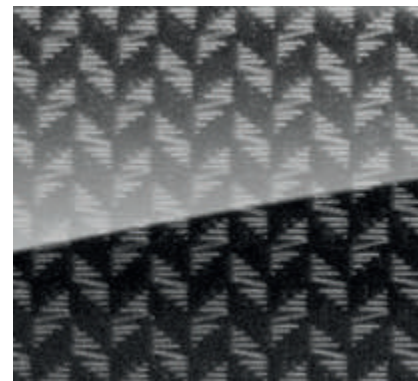
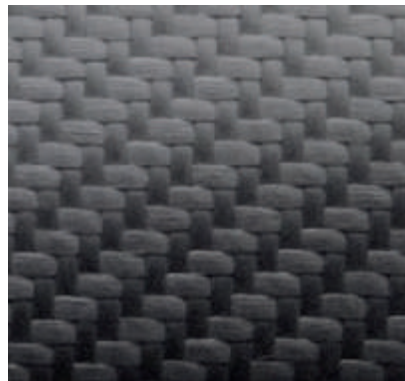
MATTE CARBON FIBER WEAVE

Inspired by the Levante Trofeo, with its host of exterior carbon fiber features, the three-dimensional effect of the weave pattern adds to the dynamic credentials inside. Every car is completely unique, as the carbon pattern is real—ensuring

that each trim will be slightly different. The other beauty of carbon is its extraordinary natural strength, which prevents the trim from marking and protects the integrity of the Levante interior over time.

HIGH-GLOSS METAL WEAVE

This stylish trim, inspired by contemporary architecture, is created by using metallic meshes. The elegant chevron-weave pattern adds to the sporty feel of the cabin. The quality of the metal net is so high and so soft to the touch that it could even be used to tailor a shirt. The weave has also been designed to remain comfortably cool in summer temperatures. Like the matte carbon fiber weave, every trim is distinct, as it is authentic and cannot be replicated.



Pieno Fiore NATURAL LEATHER, BEYOND COMPARE

All leather is not created equal. Pieno Fiore natural leather offers quality and durability, with an extraordinary softness to the touch.

An option for Levante GranLusso, GranSport and GTS—and standard on Levante Trofeo—Pieno Fiore leather, sourced especially for Maserati, is highly desirable for its subtle texture, aroma and ability to take on a beautiful patina over time.

This natural leather comes from the hide of bulls reared in the mountains of Northern Europe, at an altitude where there are few insects and no fences with spikes to blemish the pristine

hides. Available in black, red or tan—with a distinctive stitching pattern on the seats and door panels—Pieno Fiore is colored by a special process inside iroko hardwood barrels to bring out the most natural nuances in the finished product.

The raw material is crafted for six weeks before the leather is ready to be delivered to our production plant. It is this painstaking attention to detail that sets our leather—and our cars—apart.







GRAN DUO

Levante GranLusso

LUXURY IS ITS FAVORITE SPORT

Drivers who prefer extra touches of luxury will discover that the GranLusso trim offers a host of refinements. The front fascia features horizontal chrome accents, while a rich silver accent adorns the front bumper's protection plates and roof rails, details that clearly denote the Levante's potential for exploring diverse terrain.



European model shown.

At the sides, the GranLusso badge is discreetly integrated on each front fender. The rear spoiler, side skirts and other details are elegantly color-matched with the rest of the exterior. Finally, the Levante GranLusso stands on imposing 19-inch machine-polished Zefiro wheels, revealing gloss black painted brake calipers with white Maserati script.





Accent ON LUXURY

The Levante GranLusso offers heated and ventilated front comfort seats with 12-way power adjustment and two-position driver memory. You can choose either Ermenegildo Zegna silk upholstery or full premium Italian leather, both complemented by a striking open-pore Radica wood trim. The power-adjustable steering wheel is heated and finished in fine wood.

The GranLusso trim also includes a Harman Kardon Premium Audio System, an advanced navigation system, front and rear parking sensors, and stainless-steel door sills at all four door thresholds. There is also the convenience of soft-close doors, for which a mechanism quietly and automatically closes each of the four doors when they are left slightly ajar. Meanwhile, the standard Driver Assistance Package provides quiet confidence whether you're in the city or on the highway.





European model shown.



MASERATI

exclusively ppz

ERMENEGILDO ZEGNA

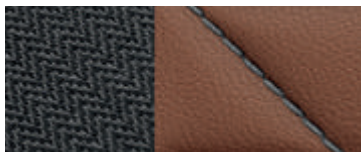
MASERATI

exclusively ppz

Mulberry

SILK BY ERMENEGILDO ZEGNA

The Levante GranLusso is crafted for individuals who desire higher levels of luxury—which is why this model features a remarkable interior, styled and crafted by Ermenegildo Zegna, one of Italy's most celebrated fashion designer brands. The finest leathers are combined with Zegna's mulberry silk inserts on the seats, door panels, headliner and sun visors. The silk is embellished with a hand-stitched micro-chevron pattern, while the seating features a central silk insert with a macro-chevron weave. All this is available in three combinations of leather and silk with contrast stitching. Other GranLusso cabin refinements include a heated leather and wood steering wheel, wood trim, ventilated front seats and soft-close doors, as well as available four-zone climate control.



Tan Premium Leather/
Dark Grey Zegna Silk
with Light Grey
Contrast Stitching



Red Premium Leather/
Dark Grey Zegna Silk
with Light Grey
Contrast Stitching



Black Premium Leather/
Dark Grey Zegna Silk
with Light Grey
Contrast Stitching



European model shown.



GranLusso

Levante GranSport

DYNAMIC ELEGANCE

The dramatic exterior styling of the Levante GranSport is expressed through dynamic details seen from every angle. The front is dominated by a large and aggressive grille finished in Piano Black. The recently added lower grille comes with Piano Black blades, while the new sport bumper features the same assertive finish.



European model shown.

Like the GranLusso, the GranSport trim option also features a body color rear spoiler and side skirts, among other details. Additional features to the rear exterior include a sport bumper and a Piano Black extractor with a matte black insert. There are dashes of sporting color, too. Visible behind the mighty 20-inch machine-polished Nereo wheels of the GranSport are bold gloss red painted brake calipers with white Maserati script.





European model shown.

More SPORTING STYLE

The GranSport trim offers heated front sport seats with 12-way power adjustment and two-position driver memory. A heated, power-adjustable sport steering wheel with multifunction buttons, aluminum column-mounted paddle shifters and Inox sport pedals impart a dynamic spirit to the interior design. Further heighten the motorsport feel of GranSport with a range of available carbon fiber trim choices. As for practicalities, the GranSport offers front and rear parking sensors and an advanced navigation system. The standard Driver Assistance Package, meanwhile, provides quiet confidence whether you're in the city or on the highway.



European model shown.





European model shown.




Gran Sport



E

EPIC POWER



Levante GTS IMPECCABLE LINEAGE IS UNMISTAKABLE

The Maserati Levante GTS not only elevates your driving position, it also takes performance and luxury to an even higher level. Few engines send blood running through the veins quite like the Maserati twin-turbocharged V8, which produces a momentous 550 hp and 538 lb-ft of torque, setting you soaring from 0 to 60 mph in 4.0 seconds and on to an exhilarating top speed of 181 mph.

They say appearances can be deceptive, but not in the case of the Levante GTS. The sleek and muscular exterior promises everything that the breathtaking engine delivers. At the front, the eye is drawn to the purposeful chrome-framed front grille, unique to the V8 power plant. Beneath, the sport bumper features a lower grille with Piano Black blades and a lower honeycomb mesh fascia. The door handles, meanwhile, are painted in the body color. Seen from the rear, the Levante GTS is every bit as captivating, with a sport bumper, a body-color extractor and exhaust tips exclusive to the V8. The GTS badge is its crowning glory, perfectly encapsulating the legendary Maserati tradition of grand touring.





MARRIAGE MADE IN ITALY

Outstanding luxury is to be expected from a Maserati, as is searing performance, and the Levante GTS—created in the Mirafiori plant in Turin—does not disappoint. The ergonomically designed heated and ventilated sport seats are upholstered in premium perforated leather, offering elegance and extraordinary comfort, mile after mile. Yet the race-bred credentials of this Maserati will always remain at the fore, thanks to the striking Piano Black trim and compelling features such as the heated sport steering wheel, aluminum column-mounted paddle shifters and Inox sport pedals.

While every Maserati achieves a balance between exceptional performance and uncompromising luxury, the Levante GTS sets a new benchmark.







GTS

Levante Trofeo

BE THE STORM

The tempestuous Levante Trofeo is capable of generating all the intensity of a raging storm. Yet this astounding force remains in authoritative control as the twin-turbocharged V8 engine produces a spine-tingling 590 hp. It thunders from 0 to 60 mph in a mere 3.7 seconds and reaches a dizzying top speed of 189 mph.

At the front, set beneath the sleek hood punctuated with purposeful air vents, the imposing front grille is styled in striking Piano Black. The front splitter, blades on the unique lower grille, and side blades are made of carbon fiber—further reminders that for the powerful Trofeo, performance is a priority.

The unique Saetta Trofeo logo takes pride of place on the rear flank. Moving further back, the rear sport bumper features a carbon fiber extractor surround, a Trofeo signature. The Levante badge is placed above, while below, the dark exhaust pipes of the V8 provide a subtle reminder of its race-bred motorsport performance. The Levante Trofeo is equipped with 22-inch machine-polished Orione wheels with Gloss Dark pockets and gloss blue painted brake calipers with white Maserati script that convey extreme performance with a stylish accent of color.





Very GRAND TOURING

Regardless of its exhilarating power and spellbinding acceleration, no Maserati road car could ever sacrifice luxury for performance. And so, the sporting interior of the Levante Trofeo offers all the comfort of the most prestigious sedan, built to the enduring principles of Maserati grand touring.

The sculpted heated and ventilated sport seats of the Trofeo are upholstered in premium Pieno Fiore natural leather, offering elegance together with a supreme softness to the touch. The SUV's motorsport credentials are emphasized by carbon fiber trim and complementary touches, such as the optional carbon fiber column-mounted paddle shifters and Inox sport pedals. Recalling the excitement of the track, the Levante Trofeo expresses winning vigor.









E

ENGINES



Epic Power AND SMOOTH REFINEMENT

Delivering on all expectations, the V6 engines for the Levante and Levante S are designed by Maserati Powertrain and built at the Ferrari plant in Maranello.

The 3.0-liter, twin-turbocharged V6 engines in the Levante and Levante S offer everything you would expect of a Maserati, from snarling responsiveness to effortless long-distance refinement.

To achieve this characteristic balance, Maserati Powertrain engineers, in conjunction with the Ferrari Powertrain development team, adopted a twin-turbocharger design—one turbo for each cylinder bank—plus the latest valve-control and high-pressure direct-injection technology. Twin turbocharging isn't new, of course; Maserati pioneered this technology in 1981 with its advanced Biturbo, an innovation since adopted by the rest of the automotive industry.

Nothing can match the engine note of a Maserati, however. The Levante features a lightweight exhaust system with bypass valves to ensure maximum excitement. With Sport mode active—which also sharpens the vehicle's handling parameters—the valves open to provide the shortest, highest-energy route for the exhaust gases. The result is optimized engine performance and an unmistakably resonant, spine-tingling sound.

345 HP TWIN-TURBO V6

The V6 engine in the Levante delivers 345 hp at 5,750 rpm and a peak torque of 369 lb-ft between 4,500 and 5,000 rpm. The sprint from 0 to 62 mph is dispatched in just 6.0 seconds, and the top speed is an impressive 156 mph.

424 HP TWIN-TURBO V6

The Levante S is equipped with the most powerful version of the Maserati V6 engine. Maximum output has been raised to 424 hp and is delivered at 5,750 rpm. With overboost active in Sport mode, peak torque of 428 lb-ft is on tap between 4,500 and 5,000 rpm. The sprint from 0 to 62 mph is accomplished in 5.2 seconds, and the top speed is 164 mph.

AUTO START-STOP

Even greater efficiencies are gained from Auto Start-Stop technology, which automatically deactivates in Sport mode and when the driver turns off stability control. For easier access, the Auto Start-Stop button can now be dragged and dropped onto the main display.

Levante Trofeo.



Levante GTS.



Exceptional **POWER AND CONTROL**

Taking performance to a whole new level, the V8 engines for the Levante GTS and the Levante Trofeo are designed by Maserati Powertrain and built at the Ferrari plant in Maranello.

The distinctive sound of a Maserati V8 engine inspires like no other. It is enhanced by a lightweight exhaust system with bypass valves to ensure the unique Maserati voice is delivered to maximum effect. When Sport mode is active—which also sharpens the vehicle’s handling parameters—the valves open, providing the shortest, highest-energy route for the exhaust gases. The result is optimized engine performance and that unmistakably resonant, spine-tingling sound.

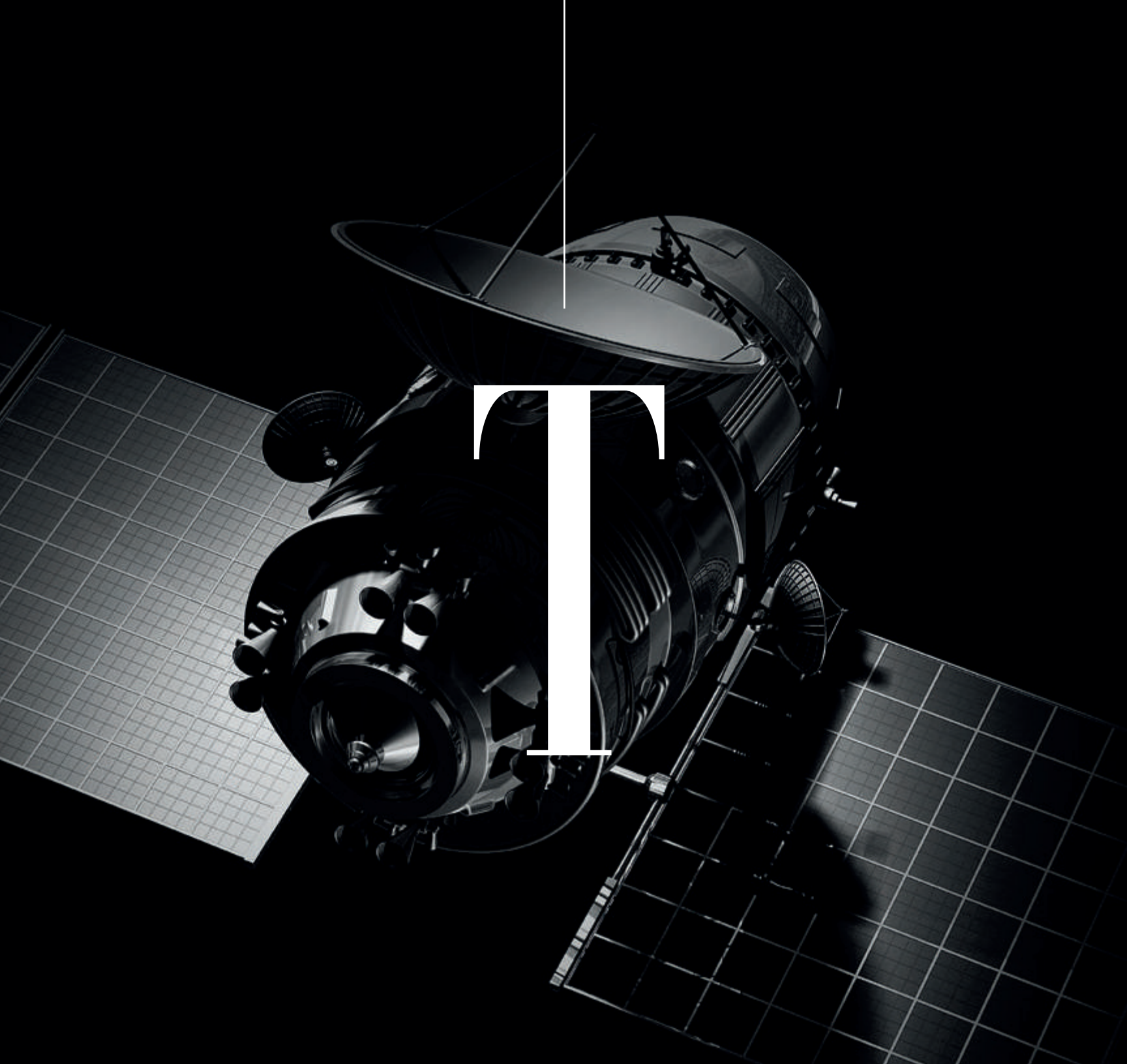
But no matter how awe-inspiring, power is wasted without the right amount of control. That’s why the extraordinary V8 engines in the Levante Trofeo and Levante GTS make their torque available at low engine rpm, offering balanced, flexible power on demand.

550 HP TWIN-TURBO V8

The Levante GTS boasts an impressive 550 hp and torque that tops out at 538 lb-ft, and is capable of accelerating from 0 to 60 mph in just 4.0 seconds with a maximum speed of 181 mph. Throughout its performance range, the familiar Maserati V8 engine note is as pronounced and controlled as ever. This is raw power—with refinement.

590 HP TWIN-TURBO V8

The ferocious V8 engine in the Levante Trofeo delivers an exceptional 590 hp and peak torque of 538 lb-ft. The scorching dash to 60 mph is completed in an astounding 3.7 seconds with a top speed of 189 mph. This is searing, race-bred power adapted for the road, and Maserati’s most remarkable Levante.



TECHNOLOGY



European model shown.

GranLusso

Performance THAT SUITS YOU

The advanced ZF automatic gearbox provides remarkable flexibility and direct, efficient control of the Levante's robust power.

With a two-lane gear lever featuring a dedicated Park button, the sophisticated eight-speed ZF automatic gearbox delivers optimum comfort, rapid gear shifting, optimal efficiency and incredible refinement. The system negates the need for the Manual button, as the driver can simply push the gear lever into the left channel to select this mode. The different settings, listed below, can be selected via the switches next to the gear lever.

AUTO NORMAL MODE

This default mode provides smooth gearshifts at low revs to maximize ride comfort and optimal efficiency. When the system recognizes a sportier style of driving, upshifts automatically occur at higher engine speeds.

MANUAL NORMAL MODE

This mode allows drivers to change gears using the optional paddle shifters behind the steering wheel or via the lever on the center console. Upshifts occur automatically when approaching the rev limiter, and downshifts occur based on the recognized driving style.

AUTO SPORT MODE

In this mode, gear changes are faster (less than 100 milliseconds) and occur at higher revs to create a sportier driving experience. Additionally, the exhaust valves open, allowing the iconic Maserati engine sound to be heard at its rousing best. Finally, the Electronic Stability Program (ESP) is less intrusive, enhancing accelerator response and affording more control to the driver. Auto Sport Mode also initiates overboost to access peak torque at far lower engine speed. Integrated Vehicle Control (IVC) adds to the excitement, giving the driver even more dynamic control.

MANUAL SPORT MODE

With Manual Sport, the driver is in full command of the transmission. A host of other factors also come into play to make the driving experience even more exhilarating. The overboost function activates for maximum performance; the ESP is less intrusive; the exhaust valves open up for an even more aggressive tone; and gear changes are quicker and sharper. Additionally, throttle mapping is more aggressive, and the engine can be pushed to the redline without the system intervening. The only automatic feature is downshifting if engine revs drop too low.



European model shown.

GranSport

MANUAL OFF-ROAD MODE

When the driver selects a chosen speed in this mode, the Levante continues at that pace—even when climbing. When the driver needs to concentrate on a challenging ascent, for instance, the Levante will effectively drive itself, allowing the driver to focus on steering and the task at hand.

AUTO OFF-ROAD MODE

This mode retains all the benefits of the Off-Road setting but adds the convenience of automatic shifting, for added convenience.

I.C.E. (INCREASED CONTROL & EFFICIENCY) MODE

Not only for use in icy or low-grip conditions, this mode ensures an even quieter, smoother ride paired with optimal efficiency. In I.C.E. mode, automatic gear changes occur

almost imperceptibly at the optimal point to maximize fuel efficiency and cabin refinement. Additionally, engine boost is restrained, the exhaust valves remain closed until 5,000 rpm, and accelerator mapping is smoothed to provide maximum comfort.

CORSA MODE

Only equipped on the Levante Trofeo, the Corsa mode can be activated by double-pressing the Sport button. This immediately creates the most dynamic settings for the engine, gearbox, air suspension, Skyhook performance suspension, steering, exhaust system, traction control and stability control. Launch Control adds to the intensity—an innovation that enables drivers to accelerate even more quickly from a standing start.



SUV WITH THE SOUL OF A GT

Engineered from the ground up, the Levante is a luxurious SUV with a commanding presence that inspires confidence on rough terrain and drives like a sporting grand tourer on the open road.

ACTIVE AIR SUSPENSION

With six settings to choose from, ride height can be raised or lowered to match any road or terrain. The Levante can quickly transition from a high clearance for off-roading to a lowered setting for smooth and efficient highway cruising.

SKYHOOK PERFORMANCE SUSPENSION SYSTEM WITH ELECTRONIC DAMPING CONTROL

The Maserati Skyhook performance suspension continuously adapts shock absorber damping to suit the situation. Skyhook uses sensors to monitor the movement of each wheel and the car's body to determine present road conditions and driving behavior. The system instantly adjusts individual damper settings to prioritize ride comfort. Pressing the Skyhook Sport Setting button on the Drive Mode control immediately firms up the shock absorbers for more dynamic handling.

Q4 INTELLIGENT ALL-WHEEL DRIVE SYSTEM

In normal conditions, the Q4 system sends all available torque to the rear wheels to optimize handling dynamics and efficiency. If traction is lost, Q4 can alter the torque split from 100 percent rear-wheel drive to 50:50 between the front and rear wheels. In an imperceptible 150 milliseconds—less than the blink of an eye—the Q4 system can intelligently apply power to maximize grip. Torque vectoring and a mechanical limited-slip differential at the rear axle also provide essential support when it comes to dynamic driving stability.

ELECTRIC POWER STEERING (EPS)

Levante features EPS, which delivers the handling response and road feel that is such an important part of Maserati DNA. With EPS, effort required for steering is adapted according to speed. When maneuvering in a tight spot, steering is lighter and easier to turn, but it has a weightier, more connected feel at high speeds. The system is particularly efficient and requires less maintenance, without need for a hydraulic pump or pressurized fluid. Additionally, the electronic steering rack integrates with Levante's active Advanced Driving Assistance Systems such as Highway Assist¹, Lane Keeping Assist² and Active Blind Spot Assist.³

ELECTRIC AIR SHUTTER

The Maserati Levante has a drag coefficient of only 0.31, with a front grille that continuously modulates airflow to the engine, thereby optimizing engine temperature, aerodynamic drag, performance and fuel efficiency.

INTEGRATED VEHICLE CONTROL (IVC)

IVC enhances driving dynamics, proactively addressing situations that could result in vehicle instability. The system selectively reduces engine torque and applies brake force to individual wheels as required. On the open road or through sweeping turns, the result is increased control, greater driving enjoyment and potentially higher speeds.

¹ HAS requires the driver to keep his or her hands on the steering wheel at all times. This system is a driver's convenience system, not a substitute for active driver involvement. The driver must remain aware of traffic conditions and maintain control of the vehicle. ² This system is a driver's convenience system, not a substitute for active driver involvement. The driver must remain aware of traffic conditions and maintain control of the vehicle. ³ Always check visually for vehicles prior to changing lanes.



GTS

Innovation FOR A CONNECTED WORLD

A cutting-edge infotainment package puts the focus on intuitive engagement, real-world assistance and adaptable enjoyment.

The interior of the Levante is built around a driver interface that is intuitive, uncluttered and simple to use. The instrument cluster features large analog gauges for the tachometer and speedometer, alongside a 7-inch TFT display. Major dynamic functions are incorporated into the buttons alongside the gearshift, while other on-board settings can be adjusted using the Maserati Touch Control Plus (MTC+) infotainment system at the center of the dashboard, or via the steering wheel controls for the 7-inch TFT display.

MASERATI TOUCH CONTROL PLUS (MTC+)

The 8.4-inch MTC+ unit takes pride of place at the center of the Levante dashboard. Using it is intuitive and easy, thanks to a minimalist layout and a highly responsive interface designed to help the driver maintain focus on the road ahead.

The MTC+ can be operated in three ways: via the multi-touchscreen interface, the rotary control on the central console or voice commands. The system incorporates the car's radio, Bluetooth® and satellite navigation system, along with connections to external sources such as mobile phones, tablets and laptop computers.

Passengers can play music using the aux-in port, USB ports or the SD card reader.¹ Also, MTC+ controls the front-seat heating, as well as the ventilation, heated steering wheel and the rear sunblind (when equipped). When the Levante is backing up, the rear-view camera and grid lines are shown on the center screen display.

The state-of-the-art MTC+ system also supports Apple CarPlay® and Android Auto™ mirroring functions.^{2,3} In addition, iPhone® users may use voice commands with Apple's Siri® to carry out tasks like placing phone calls or accessing music, messages, reminders, emails, websites and much more.⁴

¹ For supported file formats, refer to the USB Port section of the owner's manual or DVD. ² Apple CarPlay®: Requires compatible iPhone®. See dealer for phone compatibility. Data plan rates apply. Vehicle user interface is a product of Apple®. Apple CarPlay is a trademark of Apple Inc. iPhone is a trademark of Apple Inc., registered in the US and other countries. Apple terms of use and other privacy statements apply. ³ To use Android Auto on your phone screen, you will need an Android phone running 5.0 (Lollipop) or higher and the Android Auto app. Android and Android Auto are trademarks of Google, LLC. ⁴ Requires an iPhone® with Siri®. Certain features are not available while the vehicle is in motion. iPhone must be within active cellular range. Customer's existing iPhone data rates apply to internet-supported features.



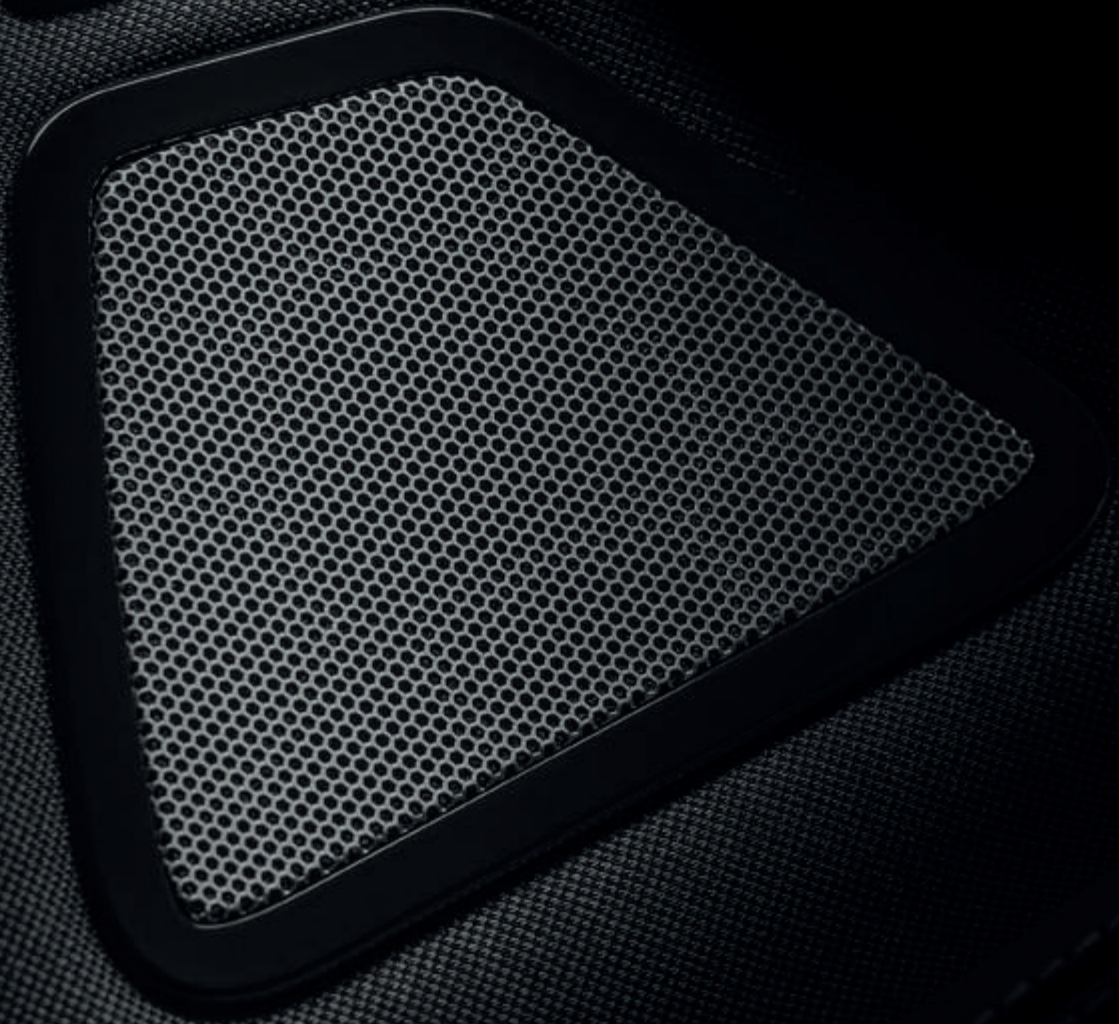
European model shown.

A large, white, serif capital letter 'S' is centered on a dark, monochromatic background. The background features a blurred, high-contrast image of musical notation, including staves, notes, and clefs, which are rendered in shades of gray and black. The lighting is dramatic, with the 'S' being the brightest element, and the musical notation appearing as soft, glowing patterns. A thin white vertical line is visible near the top center of the image, extending downwards towards the top of the 'S'.

S

THE SOUND OF QUALITY

Bowers & Wilkins



World-Class AUDIO ENTERTAINMENT

The Levante is offered with a choice of three audio systems. A powerful eight-speaker, 280-watt package is fitted as standard and sets the bar at an impressively high level. True audio aficionados can upgrade to one of two outstanding options: the 14-speaker, 900-watt Harman Kardon Premium Audio System (standard on Levante GranLusso, GranSport and GTS) or the 17-speaker, 1,280-watt Bowers & Wilkins Surround Sound System (standard on Levante Trofeo).

HARMAN KARDON PREMIUM AUDIO SYSTEM

The Harman Kardon Premium Audio System offers elevated audio refinement, with every facet tailored to complement the Levante's stunning interior. To achieve this, Harman Kardon sound engineers worked very closely with the development team at Maserati. At the core of the system is a state-of-the-art, 900-watt amplifier, delivering rich and detailed sound quality via the radio, MP3 player, iPhone® or audio streaming device. A total of 12 independent channels are deployed for superb balance within the cabin. A high-performance subwoofer handles the low-end frequencies with ease, while the mid-range drivers and tweeters ensure that every instrument and every artist can be appreciated to the fullest. Fourteen high-powered speakers are carefully distributed throughout the interior to guarantee sublime sound for all on board.

BOWERS & WILKINS SURROUND SOUND SYSTEM

Bowers & Wilkins applies its 50-year history of extensive research and development in the field of psychoacoustics—the science of how people react emotionally to sound—to this magnificent audio system. Fifteen high-end speakers, with mid-range drivers and rear woofers made from aramid fibers, have been strategically built into the car's architecture, while a 1,280-watt amplifier ensures immersive sound. Advanced aluminum tweeters capture the faintest audio subtleties, while Rohacell® drivers assure deep, resounding bass. The system features QuantumLogic™ Surround Sound Technology, which digitally remodels signal streams and reconstructs the original recording of a musical piece. In addition, the Clari-Fi function automatically restores detail lost in digitally compressed music. The Levante's Bowers & Wilkins system is compatible with most disc formats and features a built-in USB port for a smartphone or MP3 player. Alternatively, tracks can be streamed directly via either Bluetooth®, Apple CarPlay® or Android Auto™.^{1,2}

¹ Apple CarPlay®: Requires compatible iPhone®. See dealer for phone compatibility. Data plan rates apply. Vehicle user interface is a product of Apple®. Apple CarPlay is a trademark of Apple Inc. iPhone is a trademark of Apple Inc., registered in the US and other countries. Apple terms of use and other privacy statements apply. ² To use Android Auto on your phone screen, you will need an Android phone running 5.0 (Lollipop) or higher and the Android Auto app. Android and Android Auto are trademarks of Google, LLC.





SAFETY

68°

91° out. E

4:50 FM 90.5

68

Controls



Lane Keeping Assist

VISUAL & HAPTIC



Auto High Beam Assist

Start & Stop



Active Blind Spot Assist

VISUAL & ACOUSTIC



Privacy Lock

Surround Camera



Forward Collision Warning

ACTIVE BRAKE: ON



Screen Off

Face Unlock



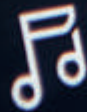
Traffic Sign Assist

BLINKING: OFF

Settings



Radio



Media



Controls



Climate



Nav



Phone

AUTO

Advanced DRIVING ASSISTANCE SYSTEMS

The Levante is equipped with a comprehensive range of Advanced Driving Assistance Systems. These innovative safety features offer greater peace of mind, whether you're on a continent-crossing grand tour, dashing across town or taking on rough terrain.

HIGHWAY ASSIST SYSTEM (HAS)

Combining the virtues of Adaptive Cruise Control with Stop & Go and Lane Keeping Assist, HAS makes life easier while driving on highways, achieving Level 2 semi-autonomous driving.¹ HAS automatically keeps the vehicle centered in its lane, at a preselected speed and at a chosen distance from the vehicle ahead, and will decelerate the Levante as traffic conditions dictate. To help ensure safety, HAS requires the driver to keep his or her hands on the steering wheel at all times.

TRAFFIC SIGN RECOGNITION

While monitoring two types of signage—speed limits and temporary speed limits due to conditions such as heavy rain—the Traffic Sign Recognition system displays the signs digitally in the gauge cluster.²

LANE DEPARTURE WARNING

Using a camera to monitor road markings ahead, this system helps drivers keep the vehicle in the chosen lane on highways and main roads.³ This system helps reduce lane drift and the possibility of lateral collisions by warning when the vehicle crosses lane markings without the turn signal activated. Activation of the turn indicator overrides the system.

LANE KEEPING ASSIST (LKA)

This system provides valuable support if the driver is about to unintentionally leave a lane.³ A digital camera behind the rear-view mirror monitors road markings to communicate the status of the course ahead. If the Levante appears to be moving out of the lane unintentionally, LKA actively steps in with corrective steering torque.

ACTIVE BLIND SPOT ASSIST

With this system, a warning icon appears in the door mirrors when a vehicle enters the driver's blind spot.⁴ Three levels of support, including corrective steering torque, can be selected if the driver nonetheless initiates a lane change: The system will maintain a visual alert in the door mirrors—the alert is supported by an acoustic warning; or the system intervenes with steering assistance.

¹ HAS requires the driver to keep his or her hands on the steering wheel at all times. This system is a driver's convenience system, not a substitute for active driver involvement. The driver must remain aware of traffic conditions and maintain control of the vehicle. ² Traffic Sign Recognition is not a substitute for safe and attentive driving. Factors including weather and condition of the traffic sign can impact recognition and display of the sign. Always check traffic signs visually while driving. ³ This system is a driver's convenience system, not a substitute for active driver involvement. The driver must remain aware of traffic conditions and maintain control of the vehicle. ⁴ Always check visually for vehicles prior to changing lanes.

SURROUND VIEW CAMERA

This system provides a clear 360-degree view around the vehicle to assist with parking and highlighting otherwise hidden obstructions.¹ Cameras beneath the door mirrors, plus front and rear cameras, capture images shown on the center display screen.

ADAPTIVE CRUISE CONTROL WITH STOP & GO

Adaptive Cruise Control constantly monitors the vehicle ahead, maintaining a pre-set distance.² With the Stop & Go function, the Maserati will also adjust to the speed of the vehicle in front until it comes to a complete stop, provided the stop takes less than two seconds.

FORWARD COLLISION WARNING PLUS

This system, in combination with Adaptive Cruise Control, monitors vehicles ahead and warns if the approach could result in a rear-end collision.³ This is linked to the Advanced Active Brake Assist system, which provides additional braking during an emergency stop. If the warning does not prompt any action from the driver, the Autonomous Emergency Braking system automatically applies the brakes to reduce vehicle speed.

REAR CROSS PATH FUNCTION

This system emits a warning when an unseen vehicle is approaching, from the right or left, while the driver is reversing out of a parking space.¹

FRONT AND REAR PARKING SENSORS AND REAR-VIEW CAMERA

To assist with maneuvering in tight spaces, the Levante comes equipped with parking sensors in the front and rear bumpers.⁴ Beeping noises increase in frequency as the obstacle approaches, and the instrument panel TFT display shows the car surrounded by symbols in green, yellow or red, depending on the remaining distance. In addition, the rear-view camera shows what is behind the car on the infotainment screen.

HILL HOLD

Using on-board sensors to detect the vehicle's angle when parked facing uphill, Hill Hold briefly maintains braking pressure to allow the driver sufficient time to release the brake pedal and accelerate before the car rolls backward.

HILL DESCENT CONTROL (HDC)

This system allows a smooth and controlled hill descent on snow or rough terrain without use of the brake pedal. If the vehicle accelerates with no input from the driver, the system will automatically apply the brakes to slow to the desired speed (which is set using the Cruise Control buttons). Applying pressure to the accelerator or brake pedal overrides the system.

¹ Always check entire surroundings visually before proceeding. ² This system is a driver's convenience system, not a substitute for active driver involvement. The driver must remain aware of traffic conditions and be prepared to use the brakes to avoid collisions. ³ This system is an alert system for the front of the vehicle. It is not a substitute for active driver involvement. The driver must remain aware of traffic conditions and be prepared to use brakes to avoid collisions. ⁴ Always look before proceeding. An electronic drive aid is not a substitute for conscientious driving. Always be aware of your surroundings.



European model shown.

Urban Sport

mont



Comprehensive SAFETY

Every Maserati is designed and built to provide world-class levels of safety and peace of mind.
Here are the main features offered by the Levante.

MASERATI STABILITY PROGRAM (MSP)

Developed under extreme testing conditions, the MSP employs an array of sensors to constantly monitor driving conditions, while utilizing a host of safety and performance systems to maintain handling and grip.* If, for instance, a skid is detected, MSP selectively reduces engine torque and can activate the brakes with finely varied inputs to help restore stability within milliseconds.

The MSP system also works in conjunction with features like Anti-Slip Regulation (ASR), which reduces wheel spin and improves traction, and engine brake torque control (MSR) that prevents the wheels from locking during sudden downshifts. Additionally, the Anti-Lock Braking System (ABS)

reduces wheel lockup and Electronic Brakeforce Distribution (EBD) distributes brake force evenly between the front and rear axles. Further support is provided by the Brake Assistance System (BAS), which responds to emergency stops by boosting pressure in the hydraulic circuit to maximize stopping power. The Hill Hold function keeps the vehicle from rolling backward when the driver sets off on an uphill slope.

TIRE PRESSURE MONITORING SYSTEM (TPMS)

This standard system continuously monitors tire pressure using a sensor integrated with the tire valve, which can be read on the dashboard display. In the case of a puncture or a change in tire pressure, the system notifies the driver with visual and acoustic warnings.

* Always drive carefully, consistent with conditions. Always wear your seat belt and obey traffic laws.



**ADAPTIVE FULL LED HEADLAMPS
WITH AUTOMATIC HIGH BEAM ASSIST**

In addition to enhancing its distinctive and stylish appearance, the Levante's Adaptive Full LED headlamps deliver additional safety and convenience for the driver and other road users. With 15 LEDs operating at full beam, these headlamps offer a greater field of vision than traditional halogen lights.

Automatic High Beam Assist provides increased forward lighting at night by automating high beam control through the use of a forward-facing digital camera located behind the rear-view mirror. This camera detects environmental luminosity, the headlamps of oncoming vehicles and the tail lamps of proceeding vehicles in the front area. In these cases, the system automatically switches from high beams to low beams until the approaching vehicle is out of view.

ADAPTIVE DRIVING BEAM (ADB)

This system automatically adjusts the width and depth of the headlight beams, giving maximum lighting effectiveness and optimal safety. This is made possible by a camera mounted in the rear-view mirror and sensors that monitor several different parameters, including the steering wheel position, the car's speed and driving behavior. ADB comes on automatically when driving in bad weather, on highways or in town.

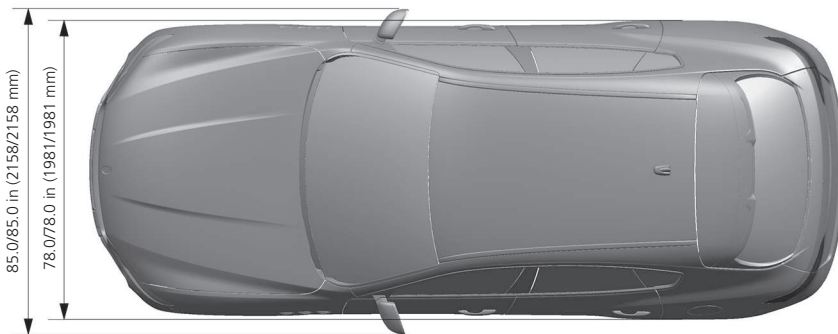
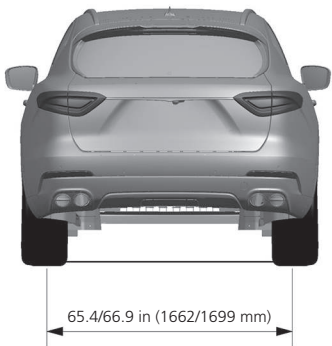
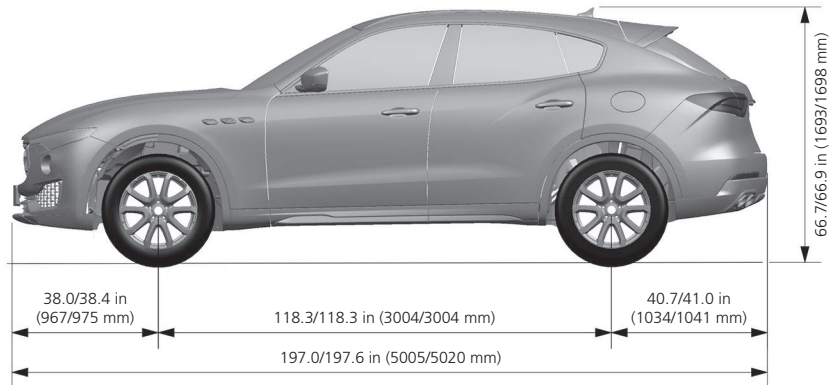
SIX AIRBAGS

The Maserati Levante comes equipped with six airbags. Two front airbags—both dual-stage—offer added protection for the driver and front passenger in the event of a collision, while their torsos and hips are further protected by two side airbags located in the front seats.* There are also two window airbags fitted in the roof lining next to the central pillar that offer added protection for the heads of the front and rear passengers if the car is struck from the side.

* Always sit properly in designated seating positions with seat belts securely fastened at all times.

Levante

TECHNICAL SPECIFICATIONS



DIMENSIONS KEY

00.0/00.0 in (0000/0000 mm)

V6 V8 V6 V8

DIMENSIONS AND WEIGHTS	LEVANTE	LEVANTE S	LEVANTE GTS	LEVANTE TROFEO
Length	197.0 in (5005 mm)	197.0 in (5005 mm)	197.6 in (5020 mm)	197.6 in (5020 mm)
Width (with side mirrors)	85.0 in (2158 mm)	85.0 in (2158 mm)	85.0 in (2158 mm)	85.0 in (2158 mm)
Width (without side mirrors)	78.0 in (1981 mm)	78.0 in (1981 mm)	78.0 in (1981 mm)	78.0 in (1981 mm)
Height	66.7 in (1693 mm)	66.7 in (1693 mm)	66.9 in (1698 mm)	66.9 in (1698 mm)
Wheelbase	118.3 in (3004 mm)	118.3 in (3004 mm)	118.3 in (3004 mm)	118.3 in (3004 mm)
Front track	64.2 in (1631 mm)	64.2 in (1631 mm)	64.4 in (1637 mm)	64.4 in (1637 mm)
Rear track	65.4 in (1662 mm)	65.4 in (1662 mm)	66.9 in (1699 mm)	66.9 in (1699 mm)
Rear overhang	40.7 in (1034 mm)	40.7 in (1034 mm)	41.0 in (1041 mm)	41.0 in (1041 mm)
Trunk capacity	20.5 cu ft	20.5 cu ft	20.5 cu ft	20.5 cu ft
Fuel tank capacity	21.1 gal	21.1 gal	21.1 gal	21.1 gal
Curb weight	4,650 lbs	4,650 lbs	4,784 lbs	4,784 lbs
ENGINE				
Number of cylinders and layout	V6 60°	V6 60°	V8 90°	V8 90°
Displacement	3.0 L (2979 cm ³)	3.0 L (2979 cm ³)	3.8 L (3799 cm ³)	3.8 L (3799 cm ³)
Bore	86.5 mm	86.5 mm	86.5 mm	86.5 mm
Stroke	84.5 mm	84.5 mm	80.8 mm	80.8 mm
Compression ratio	9.7:1	9.7:1	9.44:1	9.44:1
Max. power output	345 hp	424 hp	550 hp	590 hp
Engine speed at max. power output	5,750 rpm	5,750 rpm	6,250 rpm	6,250 rpm
Peak torque	369 lb-ft	428 lb-ft	538 lb-ft	538 lb-ft
Engine speed at peak torque	1,750-4,750 rpm	2,000-4,750 rpm	2,500-5,000 rpm	2,500-5,000 rpm
TRANSMISSION				
Transmission	Automatic 8 gears	Automatic 8 gears	Automatic 8 gears	Automatic 8 gears
All Wheel Drive ATC (Active Transfer Case)	from 0:100 to 50:50	from 0:100 to 50:50	from 0:100 to 50:50	from 0:100 to 50:50
PERFORMANCE*				
Maximum speed	156 mph	164 mph	181 mph	189 mph
Acceleration – 0-60 mph	N/A	N/A	4.0 s	3.7 s
Acceleration – 0-62 mph (0-100 km/h)	6.0 s	5.2 s	N/A	N/A
Stopping distance – 60-0 mph	N/A	N/A	105.6 ft	105.6 ft
Stopping distance – 62-0 mph (100-0 km/h)	118.1 ft	113.2 ft	N/A	N/A
Fuel consumption (combined)**	17 mpg	17 mpg	15 mpg	15 mpg
Fuel consumption (city)**	15 mpg	15 mpg	14 mpg	14 mpg
Fuel consumption (highway)**	21 mpg	21 mpg	18 mpg	18 mpg

* Maserati SpA test results. Actual acceleration results may vary, depending upon specification of vehicle, road and environmental conditions, testing procedures and driving style.

** EPA estimated mpg. Actual mileage may vary.



THE WORLD OF MASERATI

BECOME A MASTER OF DRIVING

MASTER MASERATI DRIVING COURSES

Driving a Maserati on the open road is one of life's most exhilarating experiences. With a Master Maserati driving course, you can quickly find out what happens when you swap the joys of the highway for the intensity of the track or the challenges of a tough off-road circuit.

Master Maserati courses give you free rein to explore the seemingly endless dynamic potential of the entire Maserati model range. They also offer two rare and truly extraordinary opportunities—taking personal charge of the awe-inspiring GranTurismo GT4 racer and experiencing it with a GT world champion at the wheel.

As a Master Maserati driver, you'll discover how all Maserati cars—with their racing DNA—are built to bring out the very best in you as you pursue ever-faster lap times or tackle difficult terrain.

But you won't be going it alone. We provide tailored one-to-one instruction from championship-winning drivers who coach from the passenger seat as you drive, providing a level of personal attention that promises both immersive enjoyment and accelerated learning. The support of advanced technology, such as telemetry and video analysis, helps to further fine-tune your skills.

Master Maserati courses are held at the Varano de' Melegari (Parma) circuit, a track with first-class safety standards and superb on- and off-road facilities nestled in the beautiful Italian countryside.

YOUR INSTRUCTORS

Our expert instructors are international drivers with firsthand experience in elite racing categories such as Formula 1, the World Endurance Championship and the World Rally Championship. The members of the coaching team are all Italian, and they've worked at Master Maserati for many years, combining training at Varano with their own motorsport careers. All in all, including our driving experts, the staff consists of more than 50 people, led by Andrea de Adamich, a highly respected figure in motorsport.

PRACTICE

START YOUR ENGINES AND GET READY FOR YOUR FIRST RIDE INTO THE MASERATI WORLD

The journey to Maserati mastery starts now. Imagine a Formula 1 practice session and then put yourself in the driver's seat. This is, essentially, what happens here. After you've picked up the fundamentals of track driving through one-to-one expert guidance, you'll be out there on the track—enjoying the immediate, exhilarating experience of exploring the performance limits of the Quattroporte, Ghibli, Levante, GranTurismo and GranTurismo Convertible. It's an experience that will make you a considerably better driver and eager for more excitement in the future. You'll also be ready to take the next step up—to Qualifying.

QUALIFYING

MASTER THE ART OF SPEED BEHIND THE WHEEL OF A MASERATI

Progression to the Qualifying stage means raising the intensity in the GranTurismo, Ghibli, Quattroporte and Levante. Just as you would in a qualifying session, you'll be pushing the limits, making mistakes, fixing them—and getting faster—as you master the art of speed in your Maserati. And, of course, your Master Maserati driving expert will be right there by your side, passing on championship-winning knowledge and insight. At this level, we introduce detailed video analysis and vital insights from racing telemetry that will help you fine-tune your skills. These techniques often lead to major improvements in your driving, which you will be eager to build on in the courses to come.

RACE

EXPERIENCE THE RAW EXCITEMENT OF BEING A MASERATI RACING DRIVER—IN THE BREATHTAKING GT4

In this one-day course, you'll be driving a full-blooded racer—the GT4. Before you're strapped into that six-point harness, you will get to know the vehicle inside and out. Then, after expert coaching, you'll be ready to hit the track and discover what the GT4 car really can do—and how far you can take it. There will also be timed, competitive driving. As in professional motorsport, you'll be supported by an expert team, from seasoned mechanics to telemetry experts.

CHAMPIONSHIP

EXPERIENCE AN EXCEPTIONAL CAR: THE GRANTURISMO MC GT4

This is the elite, two-day Championship experience, complete with your own paddock team, personal coach and, naturally, cutting-edge telemetry. You'll even have access to the Ferrari F1 team's MedEx physical therapy specialists. This is essential support, because you'll be driving the awe-inspiring GranTurismo GT4. And that means G-forces far beyond anything your body may have experienced before. You'll also experience hot laps driven by none other than four-time world champion Andrea Bertolini in this iconic racing machine.

RALLY POWER STAGE

DISCOVER AND MASTER THE MASERATI OF SUVs—ON ALL TERRAINS

Get ready to ramp things up, on and off the road. This full-day master class is mainly focused on the remarkably capable Maserati Levante, given its authentic all-terrain credentials. All other Maserati models also feature in this experience, however, and you'll discover how a combination of individual skills and progressive technology keeps you perfectly composed on low-grip surfaces and even the most challenging inclines. When you do venture into the Varano circuit's private nature reserve, the Levante takes center stage. With close guidance from your instructor, you'll take on a host of tasks that showcase the SUV's abilities, while bringing out the best of you as a driver.

MASTER INCENTIVE

TEAM BUILDING, OR EVEN A SPECIAL THANK YOU, DOESN'T GET MORE EXHILARATING THAN THIS

Nothing bonds a team like the exhilaration and spirit of a Master Maserati driving experience. What's more, we can tailor any program to suit the interests and aims of your business or team, and we welcome groups of any size for the number of driving days preferred. For instance, we can provide instruction on the basics of track driving or how to become a racing driver. We offer guidance from expert drivers, one-to-one coaching, video, telemetry recording and the full support of a crew. The driving can also be combined with cultural programs and activities, including a visit to the Panini Motor Museum in Modena, culinary experiences and a Maserati factory tour. For your added convenience, we offer a range of supplementary services, such as organizing hotels and airport transfers.

ARE YOU READY TO MASTER MASERATI?

For information on availability, pricing, timing and registration, please contact us at info@mastermaserati.it.

THE WORLD OF THE TRIDENT

FACTORY TOUR*

Learn about the skills involved in producing some of the world's finest high-performance automobiles by visiting the Maserati factory in Modena. Our 90-minute factory tour includes a welcome reception in our showroom and a presentation of more than 100 years of Maserati heritage. The tour also includes a guided walk around the assembly line, an opportunity to view the finished cars and a chance to browse the Maserati store.

SHOWROOM TOUR (MODENA ONLY)

For those short on time, we offer a 30-minute guided showroom tour. After a welcome reception and a presentation of our illustrious heritage, your guide will take you through the entire model range on display in the Modena showroom. Commentary can be provided in English, Italian, German, French or Spanish. It is also possible to combine the Maserati Factory Tour with a Master Maserati driving course and experience the entire World of Maserati. For reservations or more information, please email factorytour@maserati.com.

FACTORY DELIVERY EXPERIENCE

The first drive in your new Maserati is one to savor—and there's no better starting line than the birthplace of the car itself. Your event begins at the Maserati showroom, where, after a warm welcome from a Maserati representative—including coffee and drinks—you can take a 90-minute tour of the production line, accompanied by a specialist guide and photographer. After the tour, it's time for the unveiling of your car, where you will receive a thorough explanation of its features and sign the documentation to officially take ownership of your new Maserati. Before we bid you farewell, our photographer will capture the occasion with pictures at the Maserati facilities. Please allow between two-and-a-half to three hours for the full experience, including the factory tour.

Delivery locations

All models can be delivered to Modena.

How to book

You can request a factory delivery through your official Maserati dealer when you place your car order. Approximately one month prior to delivery, we will arrange a date for your Factory Delivery Experience.

*Service availability to be confirmed. For more information, please contact an official Maserati dealer or the Maserati Contact Center at mymaserati@maserati.com.

**Tours are arranged by appointment only and can be booked through dealers all over the world.

MASERATI COLLECTION

The Maserati Collection of branded merchandise is specially designed for those with a passion for all things Maserati. Maserati Collection items are available from all official Maserati dealers and the Maserati showroom stores in Modena and Grugliasco. Alternatively, the items can be purchased online at maseratistore.com and delivered directly to you.

MASERATI CLUB

Joining a Maserati Club means sharing insights and exciting experiences with other Maserati owners—and being invited to take part in special motoring events all over the world. Drivers of Maserati automobiles from every era can enjoy the pleasure of driving their cars in a calendar of events created especially for club members. Our Maserati Clubs provide the link between the company's past, present and future. Visit maseraticlub.com for more information.

MASERATI GENUINE ACCESSORIES

Maserati Genuine Accessories for the Levante offer the perfect combination of design and functionality. The attention to detail, style and quality of each accessory reveal the very essence of the Maserati brand, always searching for the perfect balance between comfort and performance. Developed to fully enjoy the spaciousness and functionality of the Levante, Maserati-branded transport systems include accessories such as the roof luggage box, bike carrier and luggage compartment mat. The range also includes care and safety accessories, such as Maserati Genuine Tires and car covers. You can discover the full range of Maserati Genuine Accessories in the dedicated brochure, on our official website at maserati.com, or through an official Maserati dealer or service center.

MASERATI CLASSICHE

Created for enthusiasts and owners of classic Maserati automobiles, Maserati Classiche is an organization dedicated to those who wish to engage with the marque's glorious past. Maserati Classiche includes an important historical document service dedicated to current owners of classic Maserati cars, a series of celebratory products, clothing, scale models and much more. You can find all the latest items on maserati.com in the Maserati Classic section. For more information, email maserati.classiche@maserati.com.

NORTH AMERICA

USA
Canada

CENTRAL/SOUTH AMERICA

Argentina
Brazil
Chile
Colombia
Costa Rica
Dominican Republic
Ecuador
Guatemala
Mexico
Panama
Perù
Puerto Rico
Uruguay

EUROPE

Andorra
Austria
Belarus
Belgium
Bulgaria
Cyprus
Czech Republic
Denmark
Estonia
France & Monaco
Germany
Greece
Hungary
Israel
Italy
Kazakhstan
Lithuania
Luxembourg
Netherlands
Norway
Poland
Portugal
Romania
Russia
Slovakia
Slovenia
Spain
Sweden
Switzerland
Turkey
Ukraine
United Kingdom

AFRICA & MIDDLE EAST

Bahrain
Egypt
Jordan
Kuwait
Lebanon
Morocco
Oman
Qatar
Saudi Arabia
South Africa
United Arab Emirates

ASIA/OCEANIA

Australia
China
Hong Kong
India
Indonesia
Japan
Malaysia
New Zealand
Philippines
Singapore
South Korea
Taiwan
Thailand
Vietnam



MASERATI CONTACT CENTER: 877.MY.MASERATI | mymaserati@maserati.com
24-HOUR ROADSIDE ASSISTANCE WITHIN THE U.S. AND CANADA: 888.371.1802





The illustrations and texts contained in this brochure are based on information available at the time of production and do not contain a description of specific characteristics of the car by the Manufacturer. Some models, equipment and accessories may not be available or may become available only after the automobile's launch on the market. Maserati reserves the right to modify colors, designs and technical features at any time and without advance notice. Official Maserati dealers will be glad to provide further details and updates in this regard. © 2020 Maserati North America, Inc. All rights reserved. Maserati and the Trident logo are registered trademarks of Maserati SpA. Maserati urges you to obey all posted speed limits.



MASERATIUSA.COM
MASERATI NORTH AMERICA, INC. | 1 CHRYSLER DRIVE | AUBURN HILLS, MI 48326

920026933