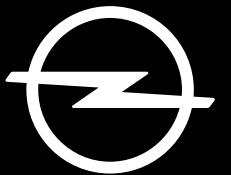


# THE NEW INSIGNIA

2018 Models Edition 2



**TIME FOR NEW LEADERS.**







# CONTENTS.

## NEW INSIGNIA

Grand Sport design	6–7
Sports Tourer design	8–9
Cockpit	10–11

## INNOVATIONS

Lighting and safety	12–19
---------------------	-------

## INTERIOR

Interior space	20–23
Interior comfort	24–25
Sports Tourer versatility	26–27

## COUNTRY TOURER

Introduction	28–29
--------------	-------

## CONNECTIVITY

OnStar	30–35
Infotainment	36–37

## DRIVING DYNAMICS

Chassis and engines	38–41
---------------------	-------

## MODEL INFORMATION

Line-up	42–51
Accessories	52–53
Colours	54–55
Trims	56–57
Wheels	58–59
OPC Styling Packs	60–61
Specification	62–65
Summary	66–67









## **MAKE AN INSTANT IMPRESSION.**

The new Insignia Grand Sport. Benchmark fastback design, coupé-style contours and crisp, lean lines.













## **GREAT BY EVERY MEASURE.**

**The new Insignia Sports Tourer** combines striking looks and premium-class innovations with the capacity and versatility of a large estate.







## PERFECT IN EVERY WAY.

**The Insignia interior is both elegant and ergonomic.**

From the instruments that tilt subtly toward the driver to the quality materials and uncluttered dash, every detail is made to measure.

- First-class craftsmanship
- Wellness luxuries, including AGR seating<sup>1</sup>, certified by the Campaign for Healthier Backs (AGR), an independent centre of excellence for ergonomics
- Ambient light<sup>2</sup>, bright and spacious feel



**Quality in every detail.** Ergonomically certified Wellness AGR leather seats<sup>1</sup> adapt to your body shape so you can relax.

For more seating options turn to page 24.

<sup>1</sup> AGR driver's seat is standard on Insignia SRI. Optional on SC, SE, Country Tourer and Elite. Leather optional.

<sup>2</sup> In doors and fascia on SRI, SE, Country Tourer and Elite.



New Insignia





## **A FLASH OF BRILLIANCE<sup>1</sup>.**

**IntelliLux LED<sup>®</sup> Matrix headlights.**

**Super visibility and safety.**

**Relaxing glare-free high beam up to 400m.**

**Just one of the smart ways we're making  
your drive more brilliant.**



1. **Traffic Sign Recognition\***. See the speed limit in your display. This system continuously scans permanent and variable traffic signs in real time.

2. **Forward Collision Alert with Collision Imminent Braking**. Ideal in commuter traffic, Forward Collision Alert warns if you approach a slower vehicle too fast from behind and helps prevent collisions by braking with full deceleration<sup>1</sup>.

## ADVANCED SAFETY SYSTEMS.

Opel's advanced safety systems combine innovative, proactive, camera-based safety technologies. Together they boost driver vigilance and help prevent near misses, collisions, speeding tickets and more.

- Continuous support helps you relax
- The perfect assistance system for a hands-on driving style
- You have control of your Insignia at all times

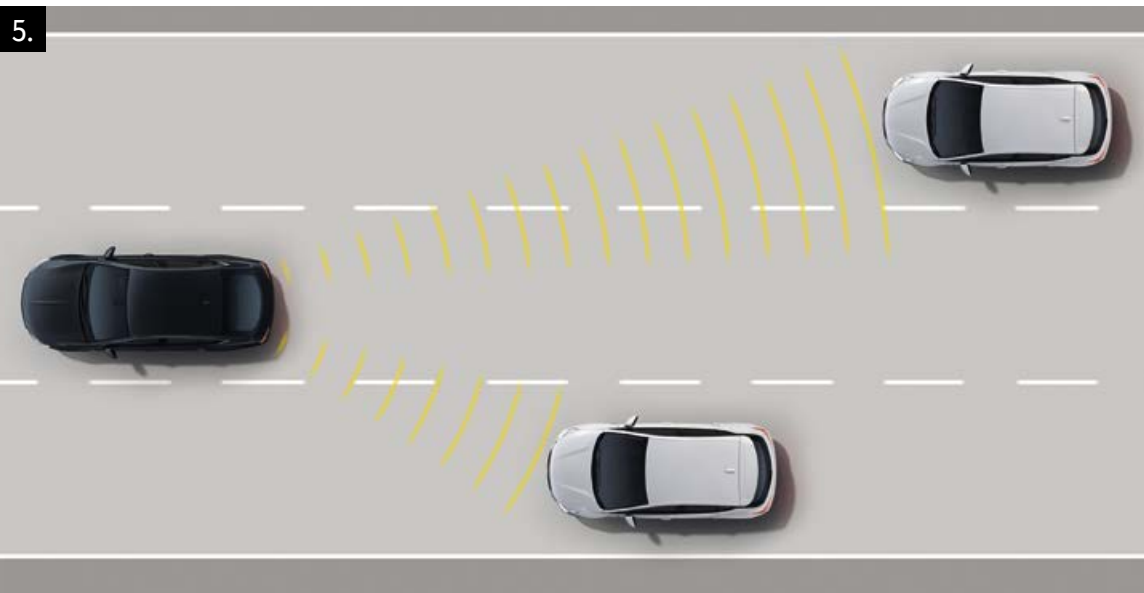
3. **Lane Keep Assist<sup>2</sup>**. Warnings and steering-wheel pushback if you start drifting out of your lane without signalling. The real genius of this system? No false alarms. For example, if you really have to swerve hard.







**4. Automatic Emergency Braking with Pedestrian Detection<sup>3</sup>.** If this system detects a pedestrian, vehicle or other object ahead, it preboosts braking power and will even brake itself if the driver doesn't react.



**5. Lane Change Assist with Side Blind Spot Alert<sup>4</sup>.** Get a warning if fast-moving vehicles enter your blind spots. If you've already signalled to change lanes, the warning icons flash and an alarm sounds, too.

<sup>1</sup>Between 8 and 40 km/h. <sup>2</sup>Lane Keep Assist active between 60 and 180 km/h. Part of the front camera system contained within the standard Driving Assistance Pack One. <sup>3</sup>Between speeds of 8 and 40 km/h, the car brakes with full deceleration. Between speeds of 40 and 80 km/h, the car supports the driver in mitigating the collision by braking. If the car is fitted with Driving Assistance Pack Two (not available on SC models), the car supports the driver in mitigating the collision by braking, up to the maximum speed of the vehicle. <sup>4</sup>Optional as part of Driving Assistance Pack Four. The maximum speed differential that can be recognized within a 3.5-second time frame prior to a potential collision is 72 km/h.

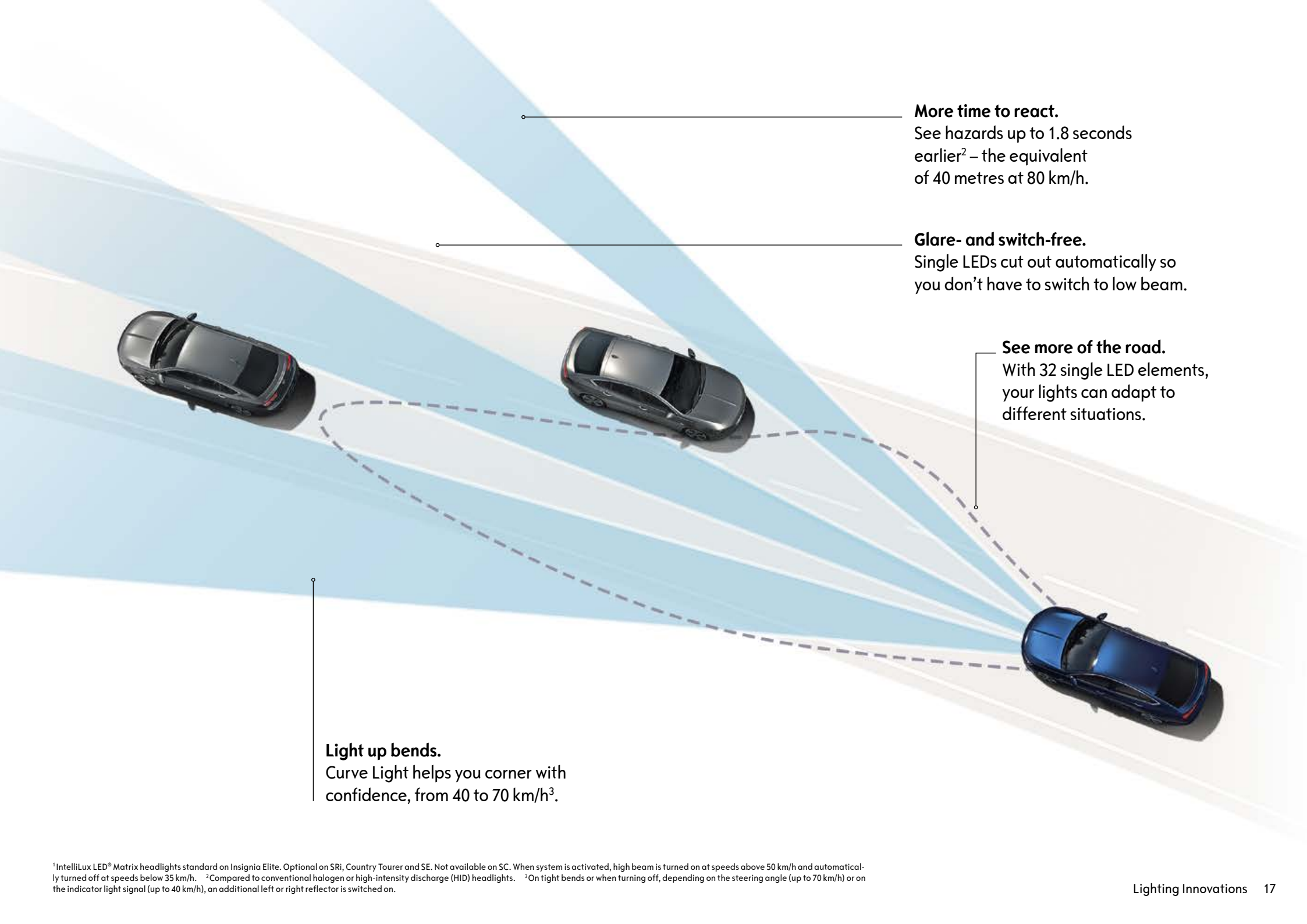
## ADVANCED INTELLILUX LED® MATRIX HEADLIGHTS.



**Drive glare-free on high beam.** IntelliLux LED® Matrix headlights<sup>1</sup> are far superior to Xenon and a major step up from conventional LED lights – more powerful and more precise. They automatically dip the beam around other vehicles but keep the rest of the road brightly lit up to 400 metres ahead.

- No risk of glare for other drivers
- Night driving is safer and more relaxed
- Cornering Light counters 'black holes' on tight, slow bends (active up to 40 km/h)





**More time to react.**

See hazards up to 1.8 seconds earlier<sup>2</sup> – the equivalent of 40 metres at 80 km/h.

**Glare- and switch-free.**

Single LEDs cut out automatically so you don't have to switch to low beam.

**See more of the road.**

With 32 single LED elements, your lights can adapt to different situations.

**Light up bends.**

Curve Light helps you corner with confidence, from 40 to 70 km/h<sup>3</sup>.

<sup>1</sup>IntelliLux LED® Matrix headlights standard on Insignia Elite. Optional on SRi, Country Tourer and SE. Not available on SC. When system is activated, high beam is turned on at speeds above 50 km/h and automatically turned off at speeds below 35 km/h. <sup>2</sup>Compared to conventional halogen or high-intensity discharge (HID) headlights. <sup>3</sup>On tight bends or when turning off, depending on the steering angle (up to 70 km/h) or on the indicator light signal (up to 40 km/h), an additional left or right reflector is switched on.

# HEAD-UP DISPLAY AND AUTOMATIC FORWARD CONTROL.

The autonomous generation of driver assistants<sup>1</sup> is here. They scan the road and shield the Insignia with a safety zone of maximum relaxation and minimum risk.



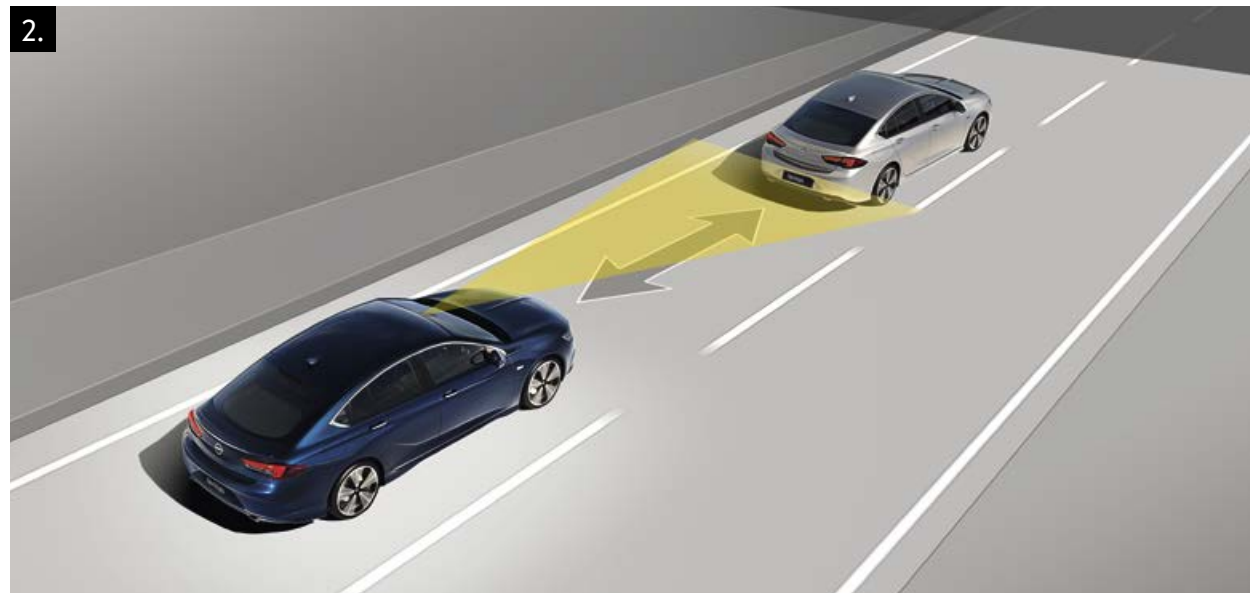




Opel driver assistance technologies use sophisticated radar, cameras and sensors to scan the road behind and beside as well as in front of your car:

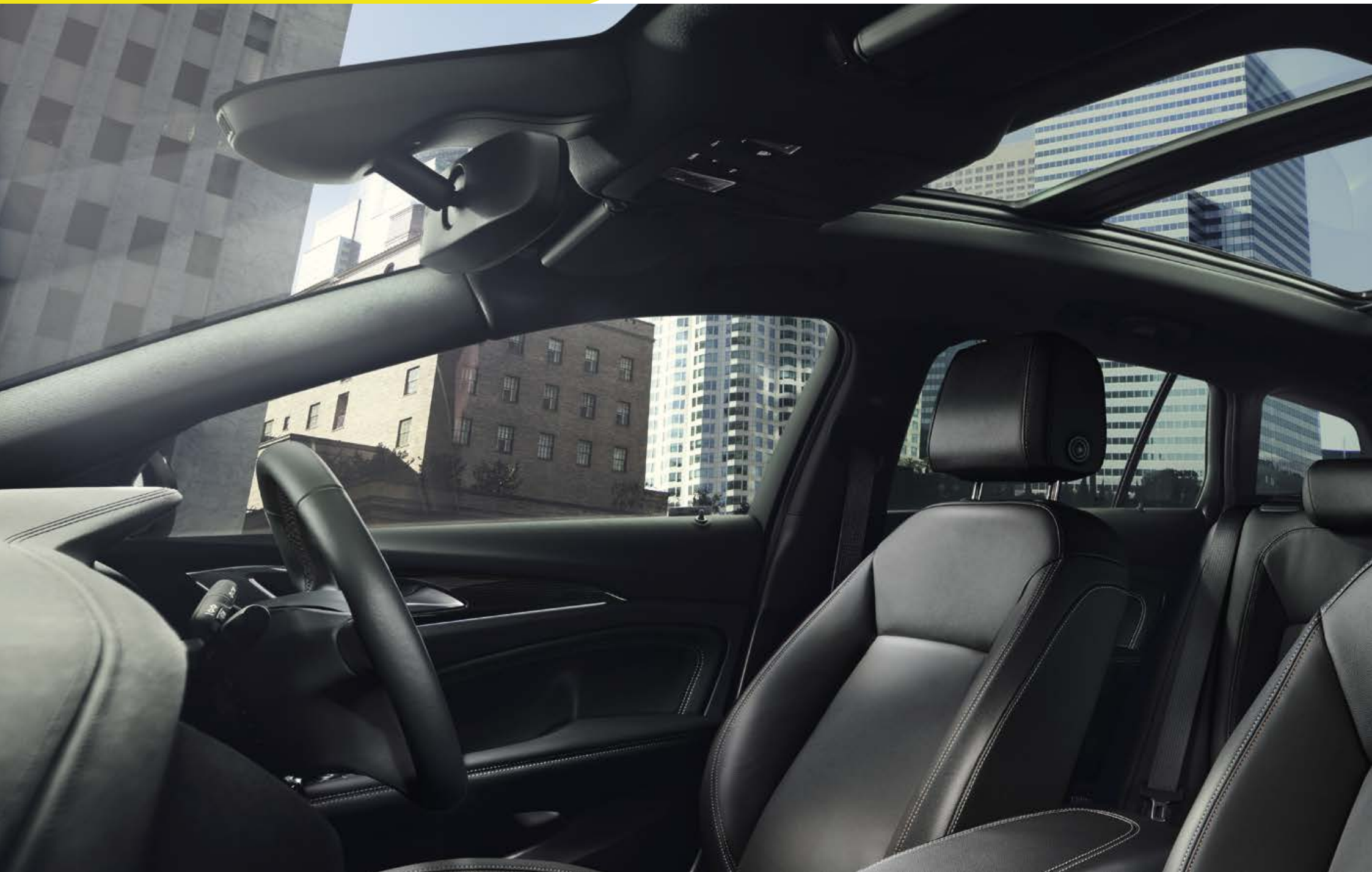
**Rear Cross Traffic Alert<sup>1</sup>.** When you back out of a parking spot or your driveway, this system warns you about approaching vehicles. What used to be an invisible hazard is now easy to manage.

To see this and other safety systems in action, go to [www.opel.ie/insignia](http://www.opel.ie/insignia)



1. **The Head-up Display (HUD)<sup>2</sup>.** Take in key data on the windscreen with your eyes safely on the road. For example, your speed, sat nav directions or warnings from Adaptive Cruise Control<sup>3</sup>.
2. **Automatic Cruise Control<sup>3,4</sup>.** Helps prevent bumper-to-tail collisions – and helps you relax by braking and accelerating to maintain a set distance to the vehicle in front. It can even brake the car to a complete stop.

<sup>1</sup>Optional on all models as part of Driving Assistance Pack Four. <sup>2</sup>Available on all models except SC in conjunction with 8-inch color display. <sup>3</sup>Optional on all models except SC as part of Driving Assistance Pack Two. <sup>4</sup>Between speeds of 4 km/h and 40 km/h, the car brakes with full deceleration. At speeds above 40km/h, the car supports the driver in mitigating the collision by braking.







## A WELCOMING INTERIOR.

**Step into New Insignia's interior and you'll find generous room to work, relax and travel in comfort.**

Rear-seat passengers enjoy the same level of luxury as those up front, with heated outer rear seats<sup>1</sup>, USB in the rear console<sup>2</sup> and the OnStar Wi-Fi Hotspot<sup>3</sup>.

Panoramic glass sunroof illustrated, optional on SRi, SE and Elite Sports Tourer and Country Tourer models only.

<sup>1</sup>Optional on SRi, SE, Elite and Country Tourer. Not available on SC.

<sup>2</sup>Standard on SRi, SE, Elite and Country Tourer. Not available on SC.

<sup>3</sup>Please refer to the OnStar description on pages 30-35.



## BEAUTY IN ITS MOST PRACTICAL FORM.



**We designed the new Insignia interior to be as roomy and flexible as possible.**  
Take a look inside and see how comfortably it accommodates people of all shapes and sizes.

Despite all the room for you and your passengers, the Grand Sport offers 490 litres of boot space, which stretches to 1,450 litres if you flip all three rear seats flat<sup>1</sup>.

<sup>1</sup>40/60 split foldable rear seats standard. 40/20/40 split-folding rear seats fitted in conjunction with optional leather-covered ergonomic sports-style front seats, not available for SC.



**ERGONOMIC SEATS.  
THE HEALTHY CHOICE FOR YOUR BACK.**



We've designed a super-comfortable ergonomic seat for New Insignia. It's approved by the AGR\*, an independent committee of back health experts and medical professionals. Which means it looks after you, by looking after your back.

### Sitting comfortably? You will be.

- A. Head restraint is adjustable four ways to give you perfect head support.
- B. Tailored lumbar support is electronically adjustable for perfect back comfort.
- C. Extendable thigh support provides perfect comfort for your legs.
- D. 18 adjustable seating controls give you plenty of settings for the lumbar area and seat position.



### Turn perfect comfort into pure luxury.

Choose the Brownstone Nappa premium leather option, and your seat will also include these luxury extras:

- E. Shoulder bolsters adjust to cradle your body shape.
- F. Active ventilation for driver and front passenger's back rest and seat cushion.
- G. Electro-pneumatic massage for the driver's seat, using a three-air cushion system.
- H. Driver's seat memory can remember six posture settings for two different people.



\*Known as the Aktion Gesunder Rücken, which translates as the Campaign for Healthier Backs. Driver's AGR seat is standard on SRI models only, optional at extra cost on all other models.







## UP-SIZE YOUR EXPECTATIONS.

The Sports Tourer provides ample leg and headroom despite its low-swept silhouette. Slim LED tail lights and twin chrome-tipped bezels<sup>1</sup> enhance its broad and elegant stance.



**Intelligent Hands-Free Power Tailgate<sup>2</sup>.** Open the tailgate by simply waving your foot under the rear bumper, where you see the white LED light projected on the ground. A second wave powers the tailgate shut again.

<sup>1</sup>Optionally available with OPC Styling Pack. <sup>2</sup>Optional. Not available for SC.



## THE NEW COUNTRY TOURER. **READY FOR YOUR NEXT ADVENTURE.**

The new Insignia Country Tourer, a front-wheel or four-wheel drive tourer showing off rugged looks, reliable performance and premium comfort all round. Equipped with four-wheel drive, torque vectoring and greater ground clearance, it's built for adventure, with an improved FlexRide chassis that adapts to changing road conditions and your driving style.











## ONSTAR PERSONAL ASSISTANCE. VIP SERVICE ON SPEED DIAL.



Opel OnStar<sup>1</sup> gives you a direct line to a personal assistant, 24/7. At the touch of an overhead button, you can delegate to your new personal assistant as you drive:

- Hotel bookings<sup>2</sup>, car park and restaurant search
- Destination downloads to your Opel sat nav<sup>3</sup>
- Vehicle diagnostics incl. oil life and tyre pressure

OnStar keeps you cared for, safe and connected.  
Find out more on the next pages.

**At your service.** Your personal assistant is on call 24/7 and 365 days a year.

<sup>1</sup>OnStar Services require activation and account with OnStar Europe Ltd. Charges apply after applicable trial period. All services subject to mobile network coverage and availability. The OnStar subscription packages could be different from the services included in the free trial package. Visit [www.opel.ie/onstar](http://www.opel.ie/onstar) for details of availability, coverage and charges. Terms and conditions apply. Opel is not responsible for the provision of the OnStar and Wi-Fi services, which are provided by OnStar Europe Limited, a GM Company. <sup>2</sup>An OnStar advisor can help you to book a hotel room using Booking.com, subject to the Booking.com user terms and privacy statement, which can be found on the Booking.com website, and the applicable terms and conditions for your hotel. OnStar assists you in making a booking and is not responsible for the services provided by Booking.com or the applicable hotel. E-mail address and credit card required. <sup>3</sup>Some elements of Smartphone App, Vehicle Diagnostics and Destination Download may not be available for all cars/trim levels. An embedded Opel navigation unit and map data are requirements for the Destination Download service. Check [www.opel.ie/onstar](http://www.opel.ie/onstar) for service limitations and charges.





ONSTAR CONNECTIVITY.  
**OPEN FOR BUSINESS 24/7.**

Thanks to OnStar, your Insignia is online<sup>1</sup> with a fast and stable Wi-Fi Hotspot virtually anywhere in Europe<sup>2</sup>. What's more, the myOpel app lets you access your car from your phone<sup>3</sup>.







### **Connect And Download.**

- Pin where you park
- Send addresses via app from your phone to your car<sup>3</sup>

### **Vehicle Diagnostics.**

- Check important car diagnostics on your smartphone
- Tyre pressure, fuel level, oil life – stay up to date via the app

### **Remote Control Via App.**

- Lock/unlock your Insignia remotely
- Sound the horn/flash the lights to find your car



<sup>1</sup>Please refer to the OnStar description on page 30. <sup>2</sup>Wi-Fi Hotspot services require account with OnStar Europe Ltd. and nominated network operator. Wi-Fi trial has time limit and capped data allowance. Charges apply thereafter. All services subject to mobile network coverage and availability. <sup>3</sup>Some elements of Smartphone App, Vehicle Diagnostics and Destination Download may not be available for all cars/trim levels. An embedded Opel navigation unit and map data are requirements for the Destination Download service. Check [www.opel.ie/onstar](http://www.opel.ie/onstar) for service limitations and charges. Compatibility and certain functionalities may differ depending on the type of device and version of operating system.



**Support on call.** Press here to open a direct line to your OnStar<sup>1</sup> personal assistant.

<sup>1</sup>Please refer to the OnStar description on page 30. <sup>2</sup>OnStar will direct a professional breakdown recovery team to your location. If your car is within the Opel New Vehicle Roadside Assistance coverage period, OnStar will connect with the Opel Roadside Assistance service, who will send help free of charge, subject to the Opel Roadside Assistance terms and conditions. If your vehicle is outside the coverage of the Opel New Vehicle Roadside Assistance service, the provider of the breakdown recovery service may apply charges for the services provided. <sup>3</sup>OnStar can only override the Privacy Button in an emergency or if your car is reported stolen.



# ONSTAR AUTOMATIC SOS SERVICE. BETTER SAFE THAN SORRY.

**OnStar is your personal guardian angel.** Wherever you are<sup>1</sup>, whatever the emergency, your OnStar team takes care of you – even if you can't call for assistance yourself.



## **Automatic Crash Response.**

- If your airbags deploy, sensors alert your OnStar advisor
- Your advisor contacts you to assess the situation
- If need be, they dispatch emergency services using GPS

## **Roadside Assistance.**

- OnStar takes care of you if you break down<sup>1</sup>
- Your advisor is there to help with problems of any kind
- OnStar will dispatch a recovery team if required<sup>2</sup>

## **Stolen Vehicle Assistance.**

- OnStar can help recover your Insignia if it's stolen
- Your advisor can locate your car for the police
- They can block the ignition when the thief turns off the engine

# INTELLILINK INFOTAINMENT. CONNECTIVITY ON CALL.



**An IntelliLink infotainment system is standard on every new Insignia.** This R4.0 IntelliLink system allows you to seamlessly project key apps and features from your smartphone<sup>1</sup> onto the large 7-inch colour display via Apple CarPlay™ and Android Auto™.

## The sophisticated R4.0 IntelliLink at a glance:

- Clean, frame-free design
- Smartphone integration<sup>1</sup> via Apple CarPlay™ and Android Auto™
- Hands-free phoning via Bluetooth®
- Photo and video access via USB
- Audio streaming via Bluetooth® and USB
- 7-speaker, 4 x 20 W sound system



**Wrong cable? Right car!** With inductive charging<sup>2</sup>, you can top up your smartphone battery cable-free.



**Bose® Premium Sound System<sup>3</sup>.** Uplifting performance with a Richbass™ woofer enclosure.

<sup>1</sup>Compatibility and certain functionalities may differ depending on the type of device and version of operating system.  
<sup>2</sup>Optional. May require an accessory for the smartphone. Inductive charging only with PMA or Qi compatible smartphones. Apple CarPlay is a trademark of Apple Inc., registered in the U.S. and other countries. Android is a trademark of Google Inc.  
<sup>3</sup>Optional on SRI, SE, Elite and Country Tourer models.



# SATELLITE NAVIGATION.



Your 3D sat nav responds to one-shot voice commands.



androidauto

The elegant, voice-controlled Navi 900<sup>1</sup> builds on the R4.0 IntelliLink system and lets you access all the intelligent features you expect of a fully connected, executive-class car.

- Built-in European sat nav with Traffic Message Channel Pay TMC<sup>®</sup>
- Apple CarPlay<sup>™</sup> and Android Auto<sup>™</sup> smartphone projection<sup>2</sup>
- 8-inch colour touchscreen, 4.2-inch colour display in cluster<sup>3</sup>
- Voice control, text message read-out/reply, USB video playback
- Bluetooth<sup>®</sup> audio streaming and much more

For more on IntelliLink systems, go to [www.opel.ie](http://www.opel.ie)

<sup>1</sup>Standard on SRI, SE, Elite and Country Tourer models. Optional on SC.

<sup>2</sup>Compatibility and certain functionalities may differ depending on the type of device and version of operating system.

<sup>3</sup>Elite models feature an 8-inch colour display in the instrument cluster.

Apple CarPlay is a trademark of Apple Inc., registered in the U.S. and other countries. Android is a trademark of Google Inc.







THE ART OF  
GERMAN ENGINEERING.  
**NEW ENGINES,  
NEW CHASSIS,  
NEW EXPERIENCE.**

Drivers of the German-engineered Insignia  
experience performance pursued to perfection.

# GERMAN-ENGINEERED PERFORMANCE, ADAPTIVE FOUR-WHEEL DRIVE AND FLEXRIDE.

The new Insignia is engineered to exceed expectations in every perceptible sense. Above all, your sense of accomplishment.

- New engines deliver the consummate driving experience
- Dynamic ride meets refined and efficient performance
- FlexRide<sup>1</sup> and Four-wheel Drive<sup>2</sup> for customisable handling and grip
- Refined new 6- or 8-speed<sup>3</sup> transmissions



**FlexRide intelligent chassis control. Three cars in one.**

**FlexRide<sup>1</sup>.** Intelligent automatic chassis control that adapts 500 times per second to road conditions and your driving style:

- Sport mode enhances road holding for dynamic driving
- Tour mode softens the ride for relaxation
- Standard mode constantly adjusts to your driving style

**New 'Twinstar' Adaptive Four-wheel Drive<sup>2</sup>.** State-of-the-art 'torque vectoring' redistributes torque between the front and rear as well as the left and right wheels.

- Smoother, more dynamic ride in tight bends
- Balanced handling prevents 'surprises' in corners
- Available on Country Tourer<sup>2</sup>

<sup>1</sup>FlexRide optional on selected Grand Sport and Sports Tourer engines and standard on Country Tourer models. <sup>2</sup>Adaptive Four-wheel Drive available on Country Tourer only. <sup>3</sup>8-speeds optional with 2.0 (170PS) Turbo D. <sup>4</sup>Cars with BlueInjection technology will need regular AdBlue® top-ups between recommended services. An indicator integrated into the on-board computer will warn you when you need to top up. More information at [www.opel.ie/adblueinfo](http://www.opel.ie/adblueinfo)

**Emission control.**

To reduce the impact of emissions, 2.0-litre Insignia diesel engines are fitted with the BlueInjection system that runs on the additive AdBlue®. Your Insignia reminds you when it's time to top up<sup>4</sup>.

For more information on performance and economy please see page 63.





# SC

GRAND SPORT | SPORTS TOURER.



## STANDARD FEATURES INCLUDE:

### Exterior convenience/styling:

- 17-inch bi-colour structure wheels (ECOTEC models)
- 17-inch five twin-spoke alloy wheels (excluding ECOTEC models)
- Automatic lighting control
- Electrically operated front/rear windows
- Keyless entry and start
- Electrically adjustable/heated door mirrors
- Black roof rails (Sports Tourer models)
- LED daytime running lights
- LED tail lights

### Interior convenience/styling:

- Air conditioning
- Cruise control with speed limiter
- Leather-covered steering wheel
- Steering wheel audio/phone/cruise controls
- Steering column adjustable for reach/rake

### Infotainment:

- R4.0 IntelliLink with DAB/FM/AM radio
- 7-inch colour touchscreen
- Smartphone connectivity for your phone, messaging, music, maps and apps
- Apple CarPlay™ and Google Android Auto™ app projection
- Siri/Google voice command for phone, messaging, music, maps and calendar
- Bluetooth® phone, messaging and music streaming
- USB connection
- Seven speakers



### Safety/security:

- Opel OnStar
- Electronic Stability Programme (ESP)
- Anti-lock Braking System (ABS)
- Front camera system
- Six airbags
- ISOFIX child seat mounting points on all three rear seats
- Tyre pressure monitoring system
- Security alarm system (Thatcham approved, T1)

### Engine availability

#### Petrol

1.5 (140PS) Turbo ECOTEC

#### Diesel

1.6 (110PS) Turbo D ECOTEC

1.6 (136PS) Turbo D ECOTEC

1.6 (136PS) Turbo D automatic\*

1.6 (136PS) Turbo D ECOTEC automatic\*\*

2.0 (170PS) Turbo D\*\*

2.0 (170PS) Turbo D automatic\*\*

\*Grand Sport models only.

\*\*Sports Tourer models only.

# SRI

GRAND SPORT | SPORTS TOURER.





## FEATURES OVER AND ABOVE SC INCLUDE:

### Exterior convenience/styling:

- 17-inch five twin-spoke alloy wheels (ECOTEC models)
- 18-inch bi-colour alloy wheels (excluding ECOTEC models)
- Front fog lights
- Dark-tinted rear windows
- Rear spoiler (Grand Sport models)
- Rain-sensitive windscreen wipers
- Silver-effect roof rails (Sports Tourer models)

### Interior convenience/styling:

- Sports front seats, driver's AGR
- Sports pedals
- Dual-zone electronic climate control
- Illuminated vanity mirrors
- Storage pockets on front seat backs
- Ambient lighting in front doors
- Twin rear USB sockets
- Auto-dimming rear-view mirror
- 4.2-inch colour information display

### Infotainment:

- Navi 900 IntelliLink system
- Satellite navigation (embedded for use with OnStar)
- 8-inch colour touchscreen

### Safety/security:

- Traffic sign recognition



### Engine availability

---

#### Petrol

---

1.5 (140PS) Turbo ECOTEC

---

#### Diesel

---

1.6 (110PS) Turbo D ECOTEC\*\*

---

---

1.6 (136PS) Turbo D ECOTEC

---

---

1.6 (136PS) Turbo D automatic\*

---

---

1.6 (136PS) Turbo D ECOTEC automatic\*\*

---

---

2.0 (170PS) Turbo D

---

---

2.0 (170PS) Turbo D automatic

---

\*Grand Sport models only.

\*\*Sports Tourer models only.

# SE

GRAND SPORT | SPORTS TOURER.



## FEATURES OVER AND ABOVE SC INCLUDE:

### Exterior convenience/styling:

- 17-inch five twin-spoke alloy wheels
- Rain-sensitive windscreen wipers
- Chrome-effect inserts in door handles
- Front and rear parking sensors
- Silver-effect roof rails (Sports Tourer models)

### Interior convenience/styling:

- Dual-zone electronic climate control
- Twin rear USB sockets
- Auto-dimming rear-view mirror
- 4.2-inch colour information display
- Driver's seat tilt and lumbar adjustment
- Front passenger's seat height adjustment

### Infotainment:

- Navi 900 IntelliLink system
- Satellite navigation (embedded for use with OnStar)
- 8-inch colour touchscreen

### Safety/security:

- Traffic sign recognition



### Engine availability

---

#### Petrol

---

1.5 (140PS) Turbo ECOTEC

---

#### Diesel

---

1.6 (110PS) Turbo D ECOTEC

---

1.6 (136PS) Turbo D ECOTEC

---

1.6 (136PS) Turbo D automatic\*

---

1.6 (136PS) Turbo D ECOTEC automatic\*\*

---

2.0 (170PS) Turbo D

---

2.0 (170PS) Turbo D automatic

---

\*Grand Sport models only.

\*\*Sports Tourer models only.

Please note: traffic sign recognition illustrated within 8-inch driver information display which is optional at extra cost.

SE interior illustrated features Winter Pack One, optional at extra cost.

SE Grand Sport model illustrated features IntelliLux LED® Matrix headlights, Driving Assistance Pack Two, Driving Assistance Pack Four and Cosmic Grey two-coat metallic paint, optional at extra cost.



# ELITE

GRAND SPORT | SPORTS TOURER.



## FEATURES OVER AND ABOVE SE INCLUDE:

### Exterior convenience/styling:

- 17-inch five twin-spoke alloy wheels (ECOTEC models)
- 18-inch five-spoke alloy wheels (excluding ECOTEC models)
- IntelliLux LED® matrix headlights
- Front fog lights
- Dark-tinted rear windows

### Interior convenience/styling:

- Leather seat facings
- Heated front seats
- Heated outer rear seats (Sports Tourer models)
- 8-inch colour information display



### Engine availability

---

#### Petrol

---

1.5 (140PS) Turbo ECOTEC

---

#### Diesel

---

1.6 (110PS) Turbo D ECOTEC

---

1.6 (136PS) Turbo D ECOTEC

---

1.6 (136PS) Turbo D automatic\*

---

1.6 (136PS) Turbo D ECOTEC automatic\*\*

---

2.0 (170PS) Turbo D

---

2.0 (170PS) Turbo D automatic

---

\*Grand Sport models only.

\*\*Sports Tourer models only.

Elite interior illustrated features Winter Pack Two and automatic transmission, optional at extra cost.  
Elite Grand Sport model illustrated features 20-inch five twin-spoke alloy wheels, Driving Assistance Pack Two, Driving Assistance Pack Four and Darkmoon Blue premium paint, optional at extra cost.

# COUNTRY TOURER





## STANDARD FEATURES INCLUDE:

### Exterior convenience/styling:

- 18-inch bi-colour five twin-spoke alloy wheels
- Anthracite wheel arch and side sill extensions
- Front and rear bumpers incorporating silver-effect skid plates
- FlexRide
- Rain-sensitive windscreen wipers
- Automatic lighting control with tunnel detection
- Front fog lights
- Dark-tinted rear windows
- Electrically adjustable/heated door mirrors
- Front and rear parking sensors
- Silver-effect roof rails

### Interior convenience/styling:

- Dual-zone electronic climate control
- Leather-covered steering wheel
- 16-way adjustable driver's seat
- Multi-function trip computer
- Cruise control with speed limiter

### Infotainment:

- Navi 900 IntelliLink system
  - Fully integrated European sat nav system
  - 8-inch colour touchscreen
  - AM/FM/DAB digital radio
  - Bluetooth® audio streaming
  - Bluetooth® mobile phone portal
  - Apple CarPlay™/Android Auto™
  - USB audio connection
- Seven speakers



### Safety/security:

- Opel OnStar
- Electronic Stability Programme (ESP)
- Anti-lock Braking System (ABS)
- Front camera system
- Forward collision alert with automatic city emergency braking
- Lane departure warning
- Six airbags
- Security alarm system (Thatcham approved, T1)

### Engine availability

---

#### Diesel

---

2.0 (170PS) Turbo D

---

2.0 (170PS) Turbo D automatic

---

2.0 (170PS) Turbo D 4X4

---

Country Tourer interior illustrated features automatic transmission, leather-covered AGR ergonomic sports-style front seats, 8-inch colour information display, head-up display, OPC Interior Pack and panoramic glass sunroof, optional at extra cost. Country Tourer model illustrated features Flip Chip Silver two-coat metallic paint, optional at extra cost.

# INSIGNIA ACCESSORIES.

The new Insignia has what it takes to satisfy your every need. That includes a vast range of tailor-made Opel accessories.

1. **Opel roof box and base carrier.** This 460-litre box has patented open/close and central-lock systems. The base carriers can also handle attachments for skis, snowboards and bikes.
- 2.-3. **FlexConnect system.** Attach a variety of brackets to the back of the front seats, from a table to a coat hanger. The FlexConnect tablet holder can hold devices in the portrait or landscape position – for reading or watching films.
4. **Illuminated door sill plates.** Give passengers the VIP treatment and protect the paint from chips and scratches.
5. **Reversible hard cargo tray.** Robust and easy to clean, this helps prevent items sliding around and contain liquids if they spill. The reverse is carpeted for a softer, quieter boot.







Royal Blue  
Solid

Summit White  
Brilliant

Lava Red  
Brilliant

Sovereign Silver  
Two-coat Metallic

Flip Chip Silver  
Two-coat Metallic

Cosmic Grey  
Two-coat Metallic

## COLOURS.

**99 percent of your New Insignia is dedicated to elite performance.**  
But it's the very top layer that first turns everyone's heads.



Satin Steel Grey  
Two-coat Metallic

Mineral Black  
Two-coat Metallic

Emerald Green  
Premium

Rioja Red  
Premium

Dark Caramel  
Premium

Darkmoon Blue  
Premium

Abalone White  
Tri-coat Premium

Please refer to the latest New Insignia Price and Specification Guide available from [www.opel.ie](http://www.opel.ie) for details of colour prices.  
Due to the limitations of the printing process, the colours reproduced may vary slightly from the actual paint colour and trim material.  
As a result, they should be used as a guide only. Your Opel dealer has a comprehensive display of paint samples.







## INTERIOR TRIMS.

**Outstanding innovations, outstanding new trims.**

Re-designed seats and finishes add to the premium feel and Insignia's interior ambience.

### **Standard trims**

1. Aida black cloth seat trim – SC models
2. Monita black cloth/Morrocana seat trim – SRi models
3. Oxford cloth/Morrocana seat trim – SE and Country Tourer models
4. Siena black leather – Elite models

### **Optional trims**

5. Siena black perforated leather – SRi, SE, Elite and Country Tourer models
6. Siena shale perforated leather – Elite models
7. Brownstone perforated Nappa leather – SRi and Elite models

# WHEELS.

Wheels speak volumes about who's at the wheel.  
Insignia rims also know what to say.



**17-inch bi-colour structure:**  
Standard on SC ECOTEC models



**17-inch five twin-spoke:**  
Standard on SC (excluding ECOTEC), SRi ECOTEC, SE and Elite ECOTEC models



**18-inch five-spoke:**  
Standard on Elite (excluding ECOTEC). Optional on SC (excluding ECOTEC) models



**18-inch bi-colour five twin-spoke:** Standard on Country Tourer models



**18-inch bi-colour:**  
Standard on SRi (excluding ECOTEC) models. Optional on SE and Elite (excluding ECOTEC) models



**20-inch five twin-spoke:**  
Optional on all 2.0 (170PS)  
Turbo D models except SC  
and Country Tourer



# THE OPC LINE SPORT PACK.

Dynamic even when it's standing still,  
the OPC styled Insignia underlines the new  
sporty silhouette, no matter how fast you go.



## The OPC Exterior Styling Pack<sup>1</sup>:

- Sports-style front and rear bumpers
- Rear spoiler (Grand Sport) and side sills
- Visible exhaust tailpipe
- OPC Line badge

## The OPC Interior Styling Pack<sup>1</sup>:

- OPC Line flat-bottom, heated, perforated leather-covered steering wheel
- Alloy-effect sports pedals
- Dark fabric headlining



**1. OPC leather steering wheel.** Heated and wrapped in perforated leather, with trademark attention to detail.

**2. Alloy sport pedals.** When you change gears fast, the rubber/metal mix gives your soles better grip.

**3. Dark headlining<sup>3</sup>.** The special ceiling colour enhances the intense motorsport atmosphere.

**4. Sports bumpers.** Crouching low to the ground, the streamlined new Insignia looks leaner than ever.

<sup>1</sup> Available for SRI, SE and Elite only. <sup>2</sup> Rear spoiler available for Grand Sport only. <sup>3</sup> On Sports Tourer and Country Tourer, headlining includes anchors for safety net.

ENGINES		
	1.5 (140PS) Turbo with Start/Stop	1.6 (110PS) Turbo D with Start/Stop
Fuel type	Petrol	Diesel
Capacity	1490cc	1598cc
Maximum power	140PS (103kW) @ 5600rpm	110PS (81kW) @ 3500rpm
Maximum torque	250Nm (184 lb.ft.) @ 2000-4100rpm	300Nm (221 lb.ft.) @ 1750-2000rpm
Configuration	4 cylinders, 4 valves per cylinder, double overhead camshafts	
Fuel/induction system	Turbocharger with intercooler. Variable Valve Timing (VVT). Direct fuel injection	Turbocharger with intercooler. Common rail fuel injection
Emission compliance	Euro 6	
Service interval	30,000km or 1 year (whichever occurs sooner)	

	1.6 (136PS) Turbo D with Start/Stop	2.0 (170PS) Turbo D with Start/Stop
Fuel type	Diesel	Diesel
Capacity	1598cc	1956cc
Maximum power	136PS (100kW) @ 3500-4000rpm	170PS (125kW) @ 3750rpm
Maximum torque	320Nm (236 lb.ft.) @ 2000-2250rpm	400Nm (295 lb.ft.) @ 1750-2500rpm
Configuration	4 cylinders, 4 valves per cylinder, double overhead camshafts	
Fuel/induction system	Variable geometry turbocharger with intercooler. Common rail fuel injection	Variable geometry turbocharger with intercooler. Common rail fuel injection
Emission compliance	Euro 6 with Diesel Particulate Filter	
Service interval	30,000km or 1 year (whichever occurs sooner)	

## TRANSMISSION

### Six-speed manual gearbox:

Petrol: 1.5 (140PS) Turbo (incl. ECOTEC)

Diesel: 1.6 (110/136PS) Turbo D

ECOTEC and 2.0 (170PS) Turbo D

### Six-speed automatic transmission with ActiveSelect®:

Optional: 1.6 (136PS) Turbo D

### Eight-speed automatic transmission with ActiveSelect®:

Optional: 2.0 (170PS) Turbo D

The latest generation automatic

transmissions, incorporating Start/Stop technology, offer improved fuel economy and refinement over previous versions. On the road, a wide selection of shift patterns is adapted to the style of the driver. The ActiveSelect® manual mode allows the gear lever to be used like a sequential manual gearbox – you simply push the lever forward or back to change up or down the gears.

### Four-wheel drive system:

Standard on Country Tourer 2.0 (170PS) Turbo D 4X4 models. The sophisticated four-wheel drive system replaces the conventional rear axle differential with two electronically controlled clutches. This ensures that torque is directed to the wheels with the greatest grip, improving both handling and traction.

## SUSPENSION

**Front:** Independent. Lightweight MacPherson struts with gas-pressure dampers and coil springs. Anti-roll bar.

**Rear:** Lightweight multi-link (FWD – 4-link; 4X4 – 5-link) with rising-rate mini-block coil springs and gas-pressure dampers. Anti-roll bar.

### FlexRide (Adaptive Stability Technology) system:

Standard on Country Tourer models. FlexRide offers drivers the choice of three distinct driving modes – Normal (default setting), Sport or Tour.

- **Sport mode:** This stiffens the car's suspension and sharpens steering and throttle responses. It also raises the threshold at which the ESP system is activated, enhancing dynamic performance
- **Tour mode:** Ideal for long motorway journeys, the Tour mode adjusts the dampers to a softer setting to further enhance ride comfort
- **Continuous damping control:** Constantly monitors the vehicle's motion to control the suspension for optimum stability, driver engagement and comfort. Operates in all three driving modes



## PERFORMANCE, FUEL CONSUMPTION AND EMISSIONS

	Wheel size inches	Performance manufacturer's figures		Fuel consumption litres/100km <sup>#</sup>			CO <sub>2</sub> emissions g/km <sup>#</sup>
		Maximum speed km/h	Acceleration 0-100km/h sec	Urban driving	Extra-urban driving	Combined figure	
<b>Grand Sport petrol</b>							
1.5 (140PS) Turbo ECOTEC manual with ULRR tyres	17/18	213	9.9	7.3	4.7	5.7	129
<b>Grand Sport diesel</b>							
1.6 (110PS) Turbo D ECOTEC with ULRR tyres	17	205	11.6	4.6	3.6	4.0	105
1.6 (136PS) Turbo D ECOTEC with ULRR tyres	17	211	10.5	5.1	3.9	4.3	114
1.6 (136PS) Turbo D automatic	17	203	10.9	6.1	4.5	5.1	134
2.0 (170PS) Turbo D manual	17/18/20	226	8.7	6.7	4.3	5.2	136
2.0 (170PS) Turbo D automatic	17/18/20	223	8.9	7.3	4.5	5.5	145
<b>Sports Tourer petrol</b>							
1.5 (140PS) Turbo manual	17/18	207	10.2	7.7	4.9	6.0	136
<b>Sports Tourer diesel</b>							
1.6 (110PS) Turbo D ECOTEC with ULRR tyres	17	201	11.8	5.0	3.8	4.3	112
1.6 (136PS) Turbo D ECOTEC with ULRR tyres	17	212	10.7	5.4	4.0	4.5	119
1.6 (136PS) Turbo D ECOTEC auto with ULRR tyres	17	204	11.2	6.2	4.6	5.2	137
2.0 (170PS) Turbo D manual	17/18/20	223	8.9	6.9	4.3	5.3	139
2.0 (170PS) Turbo D automatic	17/18/20	220	9.2	7.4	4.7	5.7	150
<b>Country Tourer diesel</b>							
2.0 (170PS) Turbo D manual	18	220	9.2	7.0	4.7	5.5	145
2.0 (170PS) Turbo D automatic	18	218	9.4	7.5	5.0	6.0	157
2.0 (170PS) Turbo D 4X4 manual	18	218	9.9	8.3	5.5	6.5	172

#Fuel consumption information is official government environmental data, tested in accordance with the relevant EU directive. Official EU-regulated test data is provided for comparison purposes and actual performance will depend on driving style, road conditions and other non-technical factors. ULRR = Ultra-low rolling resistance.

### BRAKING AND STABILITY

- Electronic Stability Programme (ESP)
- Cornering brake control
- Straight line stability control
- Hill start assist
- Anti-lock Braking System (ABS)
- Emergency brake assist
- Fading brake support
- Electronic brakeforce distribution
- Adaptive brake lights

### 1.5 (140PS) Turbo

Front ventilated discs:  
300mm diameter  
Rear discs: 288mm diameter

### 1.6 (110PS) Turbo D

Front ventilated discs:  
300mm diameter  
Rear discs:  
288mm diameter

### 1.6 (136PS) Turbo D

Front ventilated discs:  
321mm diameter  
Rear discs:  
288mm diameter

### 2.0 (170PS) Turbo D

Front ventilated discs:  
321mm diameter  
Rear ventilated discs:  
315mm diameter

### BODY

Aerodynamic drag co-efficient:  
Cd 0.26

### FUEL TANK CAPACITY

62 litres (13.6 gallons)

### ADBLUE TANK CAPACITY

15 litres (3.3 gallons)

## WEIGHTS AND TOWING DATA kg

	Gross vehicle weight			Max. towing weights Trailer with brakes (without brakes)		
	Grand Sport	Sports Tourer	Country Tourer	Grand Sport	Sports Tourer	Country Tourer
<b>Petrol</b>						
1.5 (140PS) Turbo ECOTEC	2015	–	–	1405 (700)	–	–
1.5 (140PS) Turbo	–	2080	–	–	1405 (730)	–
<b>Diesel</b>						
1.6 (110PS) Turbo D ECOTEC	2035	–	–	1405 (720)	–	–
1.6 (136PS) Turbo D ECOTEC	2070	–	–	1405 (730)	–	–
1.6 (136PS) Turbo D automatic	2095	–	–	1300 (730)	–	–
2.0 (170PS) Turbo D	2185	2240	2240	1950 (750)	1950 (750)	1950 (750)
2.0 (170PS) Turbo D automatic	2220	2270	2270	1700 (750)	1700 (750)	1700 (750)
2.0 (170PS) Turbo D 4X4	–	–	2330	–	–	2200 (750)

**Gross vehicle weight** is the total permissible weight of the vehicle including passengers and their luggage. The **maximum roof rack loading** should not exceed 100kg. The **maximum towing weights** are based on the ability of the car, with two occupants of 75kg each, to restart on a 12% gradient, which is approximately 1 in 8.3, at sea level. The permitted trailer load applies up to the specified incline and up to an altitude of 1000 metres above sea level. The permissible gross train weight decreases by 10% for every 1000 metres of additional altitude. Any extra weight, such as luggage or additional passengers, should be deducted from the maximum towing weight. With a trailer fully loaded, **maximum noseweight** should not exceed 60kg (75kg on Sports Tourer models, 90kg on 2.0 (170PS) Turbo D models). Always fit Opel towing attachments and accessories available from your Opel Dealer. They are designed specifically for Opel models and carry a 24-month guarantee.

## LOADSPACE DIMENSIONS millimetres (inches)






	Grand Sport	Sports Tourer/ Country Tourer
Load floor length (rear seats folded)	1940 (76.4)	2005 (78.9)
Load floor length (behind rear seats)	1133 (44.6)	1178 (46.3)
Load area width	1030 (40.5)	1030 (40.5)
Load area height	722 (28.4)	794 (31.2)
Tailgate aperture height	557 (21.9)	711 (28.0)

## LUGGAGE CAPACITIES litres (cu.ft.)\*

	Grand Sport	Sports Tourer/ Country Tourer
Rear seat up (under luggage compartment cover)	490 (17.3)	560 (19.8)
Rear seat down (measured to roof)	1450 (51.1)	1665 (58.8)

\* = Measured using the ECIE method. When an optional spare wheel is specified loadspace capacity is reduced due to a raised luggage compartment floor.

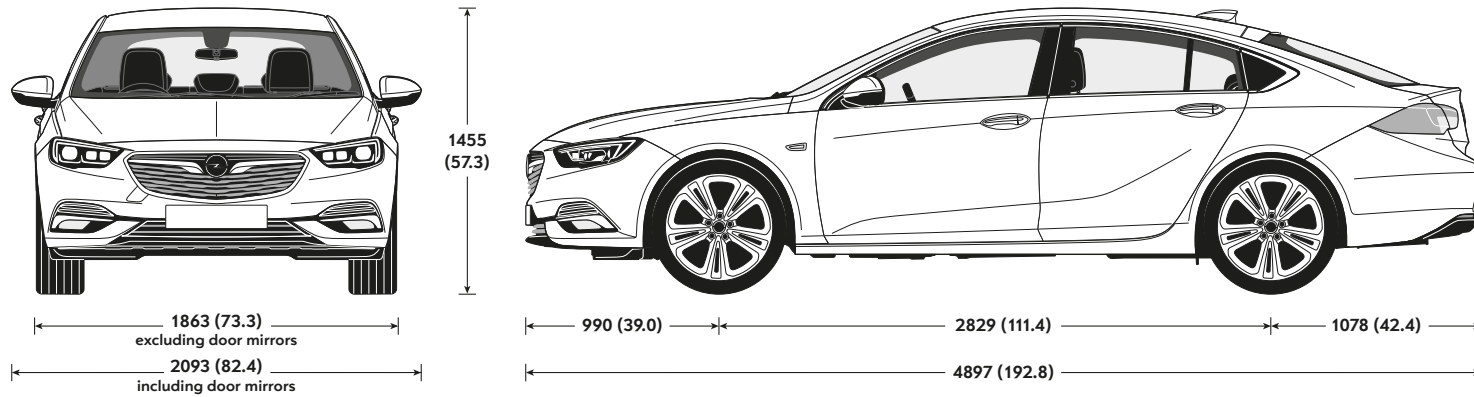
## TYRE RATING

Tyre size	Fuel efficiency group	Wet grip performance	External noise	
			Measured (dB)	Group
215/55 R 17 ULRR	B	B	69	
225/55 R 17	B-C	B	70-71	
235/50 R 18 Country Tourer	C	A	71	
245/45 R 18	B-E	A-B	68-71	
245/35 R 20	E	A	72	

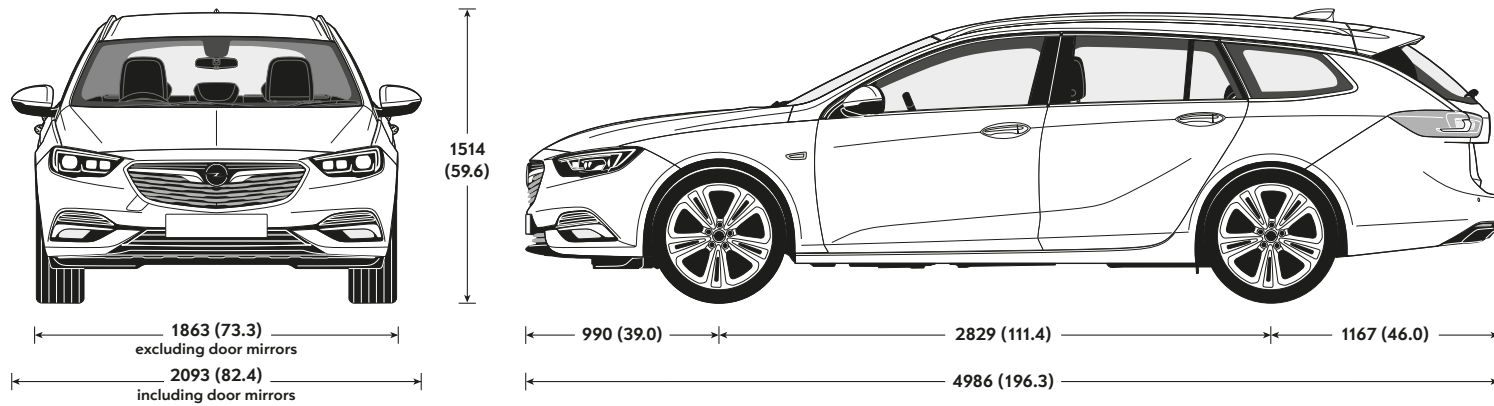
Tyre rating according to EU Regulation 1222/2009

## EXTERIOR DIMENSIONS millimetres (inches)

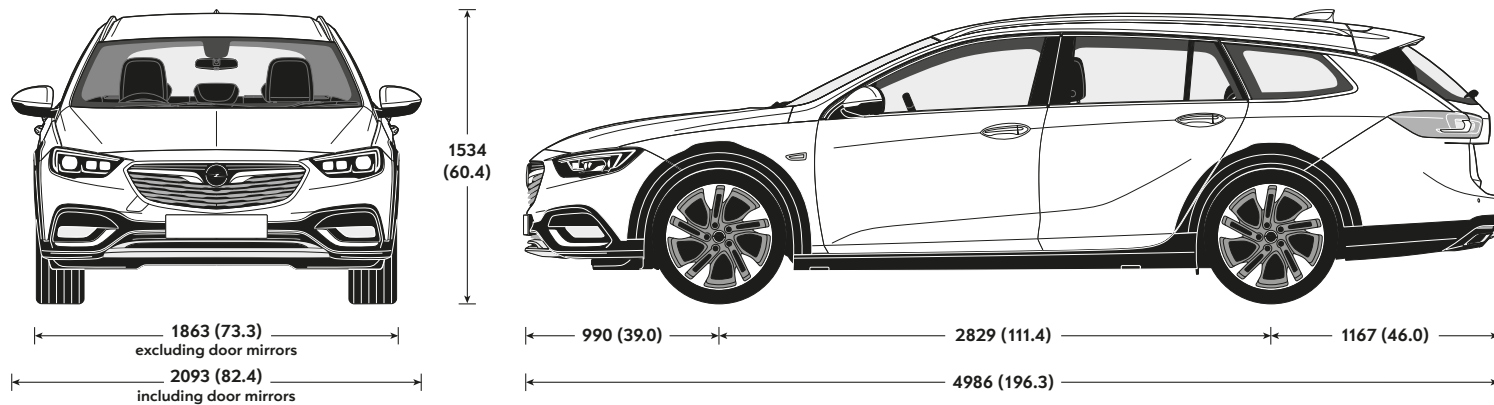
### Grand Sport



### Sports Tourer



### Country Tourer









## MANAGEMENT SUMMARY.

The new Insignia is a masterpiece of German engineering – and the ultimate assistant. How can it assist you?

1. IntelliLux LED® Matrix headlights<sup>1</sup>
2. Superior connectivity with **Wi-Fi Hotspot**<sup>2</sup>, smartphone integration
3. 24/7 **OnStar** Personal Assistant<sup>2</sup>
4. Stunning new exterior
5. Premium-class interior including **Wellness AGR driver's seat**<sup>1</sup>
6. Comprehensive **driver assistance systems**, autonomous response
7. Dynamic performance, **Adaptive Four-wheel Drive** and **FlexRide**<sup>1</sup>

A test drive in the new Insignia will challenge what you expect from a car. To find your nearest Opel Ireland dealer, go to [www.opel.ie](http://www.opel.ie)

<sup>1</sup>Optional with selected models and engines. FlexRide standard on Country Tourer models.

<sup>2</sup>Please see OnStar description on pages 30-35.

# Opel Service.

## Europe-wide Customer Service.

Throughout Europe, more than 6,000 Opel repair workshops are ready to provide professional and punctual service. As you'd expect, they'll repair your vehicle to the highest standards. More unusually, perhaps, they'll tell you exactly what's been done and why, and they will show any costs involved clearly and concisely.

## New Vehicle Warranty.

Opel Ireland Automobile Limited (referred to as 'Opel') guarantees for motor vehicles of its manufacture, that each vehicle is free from defects according to the state of the art for a period of: The first 2 years carry an unlimited mileage warranty. The 3rd year of warranty has a mileage limitation of 100,000km for Passenger Cars & Car derived vans, for Combo, Vivaro and Movano

the limitation is 150,000km. The warranty is valid from delivery from the supplying Opel Distributor or from first registration, whichever occurs first (warranty start date).

## Opel Roadside Assistance.

This free-of-charge mobility service is valid for all new Opel vehicles during the first year after the date on which they were first registered or delivered to the customer by the dealer, depending on which date comes first. No matter where you are, the Opel Assistance is there to help. In more than 40 European countries – round the clock. Offering services such as breakdown assistance, towing services, rental car, hotel accommodation or the organisation of onward transportation, e.g. via rail or air (please see programme conditions).

## 12-year Anti-Perforation Warranty.

Opel provides you with a reliable long-term warranty against perforation, provided you have your vehicle serviced and all necessary inspections performed according to the service booklet.

## 2-year Warranty for Opel Batteries.

With a 2-year warranty for service-installed Opel original batteries your starting problems are over – even in the coldest winter.

## Parts and Accessories Service.

Opel parts and accessories are available at your local Opel Shop, where you'll find everything to make your vehicle more comfortable or to meet your individual needs, as well as expert advice.

## Opel on the Internet.

Need instant information? At [www.opel.ie](http://www.opel.ie) you can access a wealth of information on all Opel cars, services, and accessories. Get online for Opel news and product updates.

## Recycling.

Information about Design for Recycling, Take-Back points for End of Life Vehicles (ELVs) and the recycling of ELVs can be found on the Opel website [www.opel.ie](http://www.opel.ie)

**In case of any questions, please ask your Opel dealer. More information can be found at [www.opel.ie](http://www.opel.ie)**

[www.opel.ie](http://www.opel.ie)

Some feature descriptions in this brochure may refer to, and some illustrations may show, optional equipment not included in the standard delivery. The information contained in this brochure was accurate at the time of going to press. We reserve the right to make changes in design and equipment. The colours printed in the brochure only approximate actual colours. Illustrated optional equipment is available at extra charge. Availability, technical features and equipment provided on our vehicles can vary by model. For precise information on the equipment provided on our vehicles, please contact your local Opel dealer. As part of Opel's policy of environmental care, this brochure is printed on paper manufactured using Elemental Chlorine Free pulps from specially farmed, sustainable timber resources.