

The S-Class



Mercedes-Benz

This Brochure is prepared by Daimler AG and it predominantly reflects the capabilities and performance of vehicles sold in Europe. Some characteristics, capabilities, performance features and optional extras (e.g. towing systems) may not be available or may not apply in Australia or under Australian conditions. The information in this Brochure is therefore indicative, illustrative and provided only for guidance and should not be relied on. To obtain current and accurate information on a vehicle and any options applicable to Australia, contact your local authorised Mercedes-Benz dealer.



Mercedes-Benz

tury. The S-Class is the benchmark for future mobility. Just as it has been for
have always been characteristic traits of the luxury saloon. It's truly moving t
bility in future. Each route has its own character. Sometimes they are genero
how they are negotiated. Steady breathing, a calm pulse rate and clear thoug
to provide the necessary serenity - by taking away the risk. As humans lear
modern age saw these upright humans turn into sedentary creatures. The o
ax in full bloom. Even the most intelligent of cars should always speak initia
epower. As it has assistance systems which help you to observe the surround
are part of the thinking process, it is about more than this: being touched. Y
near nothing? **Icons of mobility.** Ourselves, our natural frequency, the blood i
ou place your hands on the steering wheel. And feel the road and the lightn

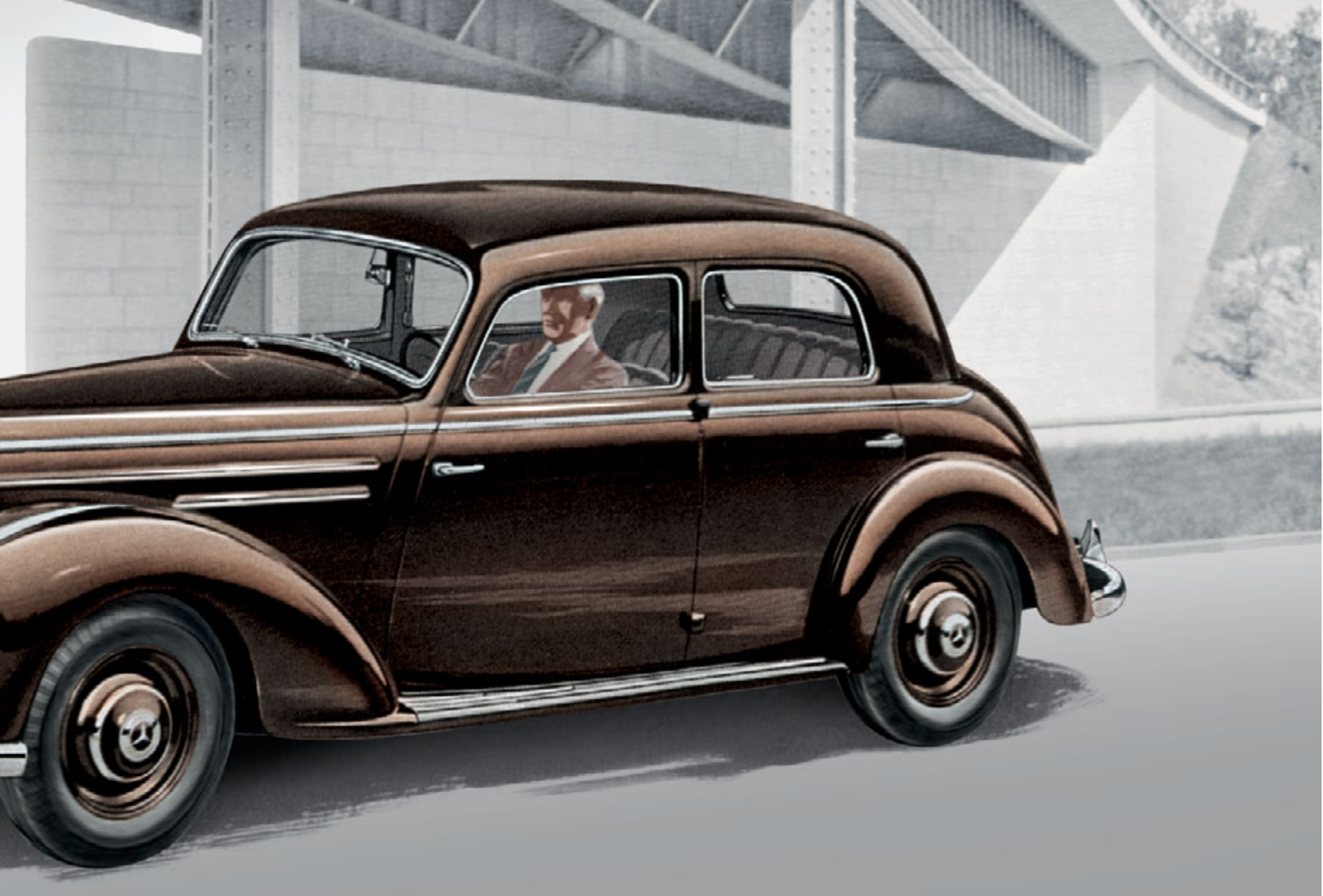
From road to memory

Our cars have epitomised luxurious mobility since the beginning of the 20th century. And they have thrilled generations of motorists who have style and great expectations.

The direct line of ancestors of the S-Class began in 1951 when the 6-cylinder Mercedes-Benz 220 model appeared at the first International Motor Show in Frankfurt. Even this very first model boasted a high standard of equipment and delivered effortlessly superior performance. Launched in 1972, the W 116 was the first S-Class, as it became known, and the official Mercedes-Benz representative in the luxury segment.

Outstanding comfort, innovative technology and comprehensive safety devices have been characteristic traits of the luxury saloon ever since. Crumple zones, ABS, airbags and ESP® – they are all trailblazing innovations in the history of automotive development. And they all began life in the S-Class. Before finding their way into many other models and vehicle categories and, therefore, into people's minds and the history books.







The S-Class is the benchmark for future mobility. Just as it has been for generations. Featuring innovations aimed at enhancing comfort, safety and environmental compatibility, it has become a role model and a show-case car for the entire automotive industry. The ninth generation also lives up to this billing: it includes the world's first standard-production hybrid vehicle with a lithium-ion battery as well as fuel consumption- and emission-reducing measures across the whole range, to name but

two reasons. Furthermore, numerous sensors and intelligent electronic systems set milestones in terms of occupant protection, driving assistance and entertainment. Last but by no means least, its sophisticated, terse appearance underlines its role on the road with effortless superiority. Like its forebears, the latest S-Class leaves no doubt: when it comes to mobility, it is the one true icon.

At a glance | From page 6 Insight | From page 28

S-Class



Comfort-oriented driving pleasure: S 400 HYBRID, diesel and petrol engines, transmissions, chassis and suspension.

Drive system & chassis | From page 36

Maximum safety: the latest active- and passive-safety technologies.

Safety | From page 48

Experience the essence of relaxed driving: light, multimedia and assistance systems, climate control and seats.

Comfort | From page 52

The right S-Class for every situation: long-wheelbase version, S 600, S-Guard and S 600 Pullman Guard.

Model variants | From page 64

Powerful AMG saloons: the S 63 AMG and S 65 AMG models.

AMG | From page 72

S-Class individuality: standard equipment and optional extras, AMG Sports package, designo, upholstery and trim, wheels and genuine accessories.

Equipment & appointments | From page 78

Star service: Mercedes-Benz Museum, MercedesCard, Mercedes-Benz Financial Services, Mercedes-Benz mobility, service packages, test drive, interactive Owner's Manual, mobile Internet.

Services | From page 96

To be precise: technical data, dimensions and paintwork.


Facts & colours | From page 98



Power | The product of class and acceleration

It's truly inspiring to see someone achieve so much with so little effort. The same benchmark will also apply to mobility in future. Reducing fuel consumption and CO₂ emissions for the S-Class and developing an intelligent hybrid engine is anything but idealism - it is progress.

→ Page 38



Grace | Making light of every road

Each route has its own character. Sometimes they are generous, inviting, imposing. Sometimes they are twisting, lonely and narrow. The thing that matters most, however, is how they are negotiated. The best approach: choose a car that lets you stay - and look - relaxed and in control.





Meditation | Concentrated relaxation

Steady breathing, a calm pulse and clear thoughts are inner signs of composure. Vital signs on the outside include assistance systems to provide the necessary serenity. By taking away much of the risk. Just as nearly a hundred sensors and numerous electronic systems in the S-Class do for you whilst you are driving.


→ Page 48











Seats | The most comfortable way to travel

As humans learned to walk on two legs, the body evolved into the perfect walking machine. The dawn of the modern age saw these upright humans turn into sedentary creatures, which means that it is all the more important to make this seated posture as natural as possible. With features such as ergonomic, active seats. → Page 62





Touring | The world's your oyster

The old saying about a trip into the blue could have its origins in billowing fields of light-blue flax in full bloom. When the phrase was born, people were still chauffeured by a single horsepower. To be this relaxed – albeit more brisk – on the road today, there is the S-Class. It sets new safety standards. Thanks to assistance systems which help you to observe the surroundings and notice that which would normally go unnoticed. → Pages 48, 58









Emotions | One of the best ingredients of all

“I feel, therefore I am” – in times such as these, in which even vehicles are part of the thinking process, it is about more than this: you also have to be touched. As by the shape, structure and strong looks of the S-Class. Even the most intelligent of cars should always speak initially to the heart.







Etiquette | An instinctive feeling for the road

You'd think that power was the most important thing when moving heavy loads. Then you place your hands on the steering wheel. And feel the road and the lightness with which the several hundred kilowatts engulf you. Then you realise: the S-Class is driven by culture more than anything else.

→ Page 40, 42







Calm | The whisper of the tarmac

What do we hear when we hear nothing? Ourselves, our natural frequency, the blood in our veins? There is no better place than the S-Class to experience this.

Road

TV and driving don't normally mix. Or do they? A cinema screen on one side and a navigation display on the other? A single monitor on which two people can watch two completely different things at the same time even though they are sitting side by side? Sounds like a dream of the future. But it is here now. And it is called SPLITVIEW. An innovative technology used in the S-Class. Bringing a whole new dimension to on-screen presentation.

Movie

SPLITVIEW allows the driver and front passenger to watch two feeds from different media at the same time – with a full screen diagonal – as if each had their own monitor. So the driver can view the route recommended by the navigation system, while the front passenger can lose themselves in the infinite beyond of a galaxy far, far away.



Those who dare

Less

What do you get when the energy of millions of ions, rather than inert metal, is used as a power source? An extremely ecofriendly drive system.

We speak from experience, since Mercedes-Benz was the world's first manufacturer to begin installing a lithium-ion battery in a series-production car - the S 400 HYBRID. Dispensing with conventional technology in this way benefits both the S-Class and its drivers: the innovative battery is much smaller than before, meaning that even the hybrid variant boasts the impressive boot capacity for which the S-Class is renowned. What's more, the

win

means more

energy density in the lithium-ion batteries is higher than in conventional nickel-cadmium batteries, for example. So the battery condenses greater power reserves within a small space yet weighs less, all of which has a positive effect on fuel consumption. And lower fuel consumption means fewer emissions – another benefit for the environment.

If all this seems a little too rational, we are pleased to announce that, thanks to its intelligent drive system, the S 400 HYBRID with a lithium-ion battery is not only sensible but also extremely powerful and dynamic.



(s) (long-wheelbase version) 8.2 (8.2) Tank capacity (l)/incl. reserve approx
ted torque (Nm at rpm) 150/4200 Perm. GVW (kg) 2505 (2555) S 350 Blue
US for V6 engines and V8 engines Night View Assist Plus Total displacemen
trol including crosswind stabilisation S 63 AMG Compression 10,0 Sidebags
0 km/h (s) (long-wheelbase version) 5.4 (5.4) S 600 Pullman ATTENTION A
HYBRID Tyre size front/rear 235/55 R 17 Reversing camera S 400 HYBRID A
erve approx. 90/11 Light-alloy wheels SPLITVIEW Boot capacity (l) 560 Turn
) Perm. GVW (kg) 2590 (2640) Total displacement (cc) 3996 Active multicon
50-5750 (5500) Compression 10.0 Rated torque (Nm at rpm) 730/2200 DIS
approx. (km/h) **The facts.** Speed Limit Assist Tyre size (long-wheelbase versio
) (long-wheelbase version) 186-189 (188-191) Adaptive Highbeam Assist

36	BlueEFFICIENCY	48	Safe driving ATTENTION ASSIST Adaptive Highbeam Assist Night View Assist Plus Driving Assistance package Plus	52	Light Headlamps Tail lights LED Light package Ambient lighting	64	Long-wheelbase version
37	Environment, efficiency and S-Class					66	S 600
38	S 400 HYBRID					68	S-Guard
40	Diesel engines 4-cylinder 6-cylinder	50	In the event of danger or an accident Airbags PRE-SAFE® system PRE-SAFE® Brake NECK-PRO head restraints	54	Multimedia systems COMAND APS SPLITVIEW Rear Seat Entertainment package	70	S 600 Pullman Guard
42	Petrol engines 6-, 8- and 12-cylinder			56	High-end sound system		
44	Transmissions 7G-TRONIC PLUS 5-speed automatic transmission			58	Assistance systems Parking package Speed Limit Assist		
46	Chassis and suspension AIRMATIC Active Body Control ABC 4MATIC all-wheel drive			60	Climate control		
				62	Seats Front Seat Comfort package Rear Seat Comfort package Rear Memory package		

S-Class in detail

72 **S 63 AMG**74 **S 63 AMG technology**

AMG 5.5-litre V8 engine

AMG SPEEDSHIFT MCT

7-speed sports transmission

76 **S 65 AMG**78 **Standard equipment**79 **Optional extras**80 **AMG Sports package**82 **designo**

Individualisation options

designo Selection

86 **Upholstery and trim**92 **Wheels**94 **Genuine accessories**96 **Services**

Mercedes-Benz Museum

MercedesCard

Mercedes-Benz Financial Services

Mercedes-Benz mobility

Service packages

Test drive

Interactive Owner's Manual

Mobile internet

98 **Dimensions**99 **Technical data**101 **Paint finishes**

BlueEFFICIENCY – fast forward to tomorrow

Mercedes-Benz is quicker at getting future technologies to where they matter most: on the road. This is why, as early as the end of 2010, we will be able to offer you over 85 Mercedes-Benz models which place far less of a burden on the environment. Our BlueEFFICIENCY concept comprises innovations for efficient mobility as well as optimised processes all the way along the value chain.

The BlueEFFICIENCY measures – the Mercedes-Benz efficiency package. This package consists of comprehensive vehicle optimisations designed to ease the burden on the environment. Each model combines the most efficient engine with latest-generation, intelligent aerodynamic and energy-management measures. Such measures include the ECO start/stop function, which is being made available for an increasing number of models. The new BlueDIRECT V6 and V8 petrol engines in the S-Class, CL-Class and CLS-Class, for example, reduce fuel consumption by up to 24% yet have a much higher power output.

BlueTEC – the clean diesel. A modular emission-control system makes BlueTEC an exceptionally clean diesel technology. As well as removing 95% of the particulate, it also reduces nitrogen oxides by up to 90%. All that remains is essentially water and harmless nitrogen.

HYBRID – the intelligent combination of petrol and electric drive. Here the electric motor can be used both for accelerating and for recuperating braking energy, which is stored in the battery. What's more, the ECU shuts off the petrol engine when the speed falls below 15 km/h. In this way, a HYBRID can reduce fuel consumption by up to 20%.

BlueTEC HYBRID – clean diesel combined with electric drive. It marries the benefits of the HYBRID with those of BlueTEC: during braking, the kinetic energy is converted into electrical energy, which can be re-used when required. At the same time, the BlueTEC technology cleans

the exhaust gases and removes many of the pollutants. All of which makes the economical diesel powerplant even more efficient and clean.

Innovative drive systems that break new ground: E-CELL and F-CELL. We have developed two locally emission-free drive systems which have been produced on a small scale since 2010. The B-Class F-CELL uses hydrogen to produce power for the electric motor, while the A-Class E-CELL draws its energy directly from two lithium-ion batteries.

But that is not all: under the banner “Design for Environment”, we also look at a vehicle's entire lifecycle and work hard to preserve the environment from the planning stage right through to recycling. In addition, we are heavily involved in the development of alternative fuels and carry out research in the field of bionics. More details about our comprehensive measures can be found at: www.mercedes-benz.com/blueefficiency

Environment, efficiency and S-Class

A role model for innovation ever since its inception, the S-Class is now forging unique paths when it comes to sustainability and environmental protection: with enhanced efficiency and a hybrid vehicle featuring lithium-ion technology

The S-Class features clean and economical engines as well as sustainable technology – and not just under the bonnet. Aerodynamic measures, tyres with optimised rolling resistance and an intelligent energy-management system help to

reduce fuel consumption and CO₂ emissions. Energy is used efficiently, saved wherever possible and – as in the case of the S 400 HYBRID – stored and fed back into the system at another point. The S 350 BlueTEC model boasts one of

the cleanest diesel technologies in the world, while the S 400 HYBRID achieves emission figures that easily undercut the levels demanded by the world's most stringent standards.



- 1 Specially designed tyres for optimised rolling resistance
- 2 Euro 5 certification for all petrol engines
- 3 S 400 HYBRID with V6 petrol engine and electric motor as well as recuperative braking system (for recovering braking energy) and ECO start/stop function
- 4 Aerodynamic exterior-mirror housings
- 5 Energy-saving control of auxiliary units (power steering pump as well as oil and water pumps)
- 6 Car always starts with transmission in "C" mode (Comfort)
- 7 Sealed joints on the headlamps for improved aerodynamics
- 8 S 350 BlueTEC has one of the world's cleanest diesel technologies (corresponds to Euro 6 emissions standard)

The measures vary depending on model and market

S 400 HYBRID

Ecofriendly motoring with a powerful hybrid drive system comprising a 6-cylinder petrol engine backed by an electric motor

The S 400 HYBRID¹ is driven by a powerful 6-cylinder petrol engine backed by a high-torque electric motor. In addition, optimised aerodynamics, recuperation of kinetic energy, the ECO



Energy flow display in the S 400 HYBRID model

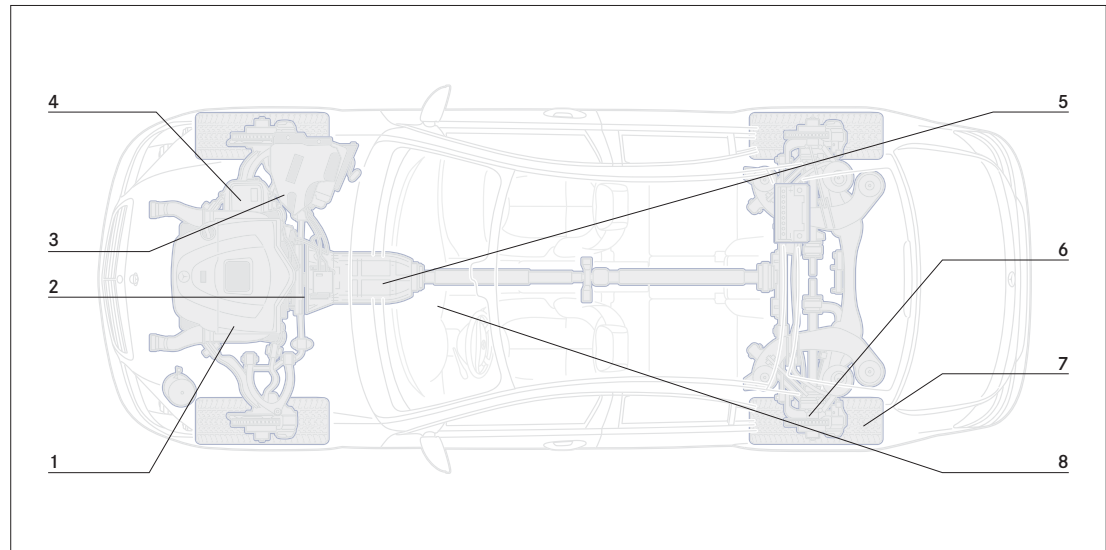
start/stop function and low rolling-resistance tyres make it one of the most efficient cars in the luxury class. And it offers the familiar high level of ride comfort, the full boot capacity, a luxurious interior atmosphere and even greater agility. This is ensured by the boost function, which briefly concentrates the power of both drive units.

At the heart of the S 400 HYBRID is an extremely light and small hybrid module with a peak torque of 160 Nm, which supports the 6-cylinder petrol engine. Optimum interaction between the internal combustion engine and the electric module is controlled by the power electronics.

A specially developed lithium-ion battery drives the hybrid module – in the S 400 HYBRID this was the very first time this combination was implemented in a series-production car. This battery is supplied by the recuperative braking system when braking. The current flow of energy from the electric motor or internal combustion engine is shown on a hybrid display in the instrument cluster and on the COMAND display. At traffic lights, for example, the ECO start/stop function switches off the internal combustion engine in the S-Class. Stored electrical energy is then used to restart the car as normal.

¹ Not available as right-hand-drive version

- 1 The efficiency-optimised 6-cylinder petrol engine with a displacement of 3.5 litres
- 2 The hybrid module, in the shape of a compact electric motor, is located between the petrol engine and the automatic transmission
- 3 The powerful lithium-ion battery has a high energy density yet its dimensions are compact and it is light in weight
- 4 The power electronics coordinate the intelligent and efficient work performed by the petrol engine and electric drive system
- 5 The 7G-TRONIC PLUS automatic transmission ensures imperceptible switching between the power sources and acceleration without interruption of tractive power
- 6 Recuperative braking system: when braking, the electric motor becomes a generator and produces electrical current for the lithium-ion battery
- 7 Low rolling-resistance tyres for comfortable and economical motoring
- 8 The energy flow and drive system battery charge level are indicated constantly on the hybrid display

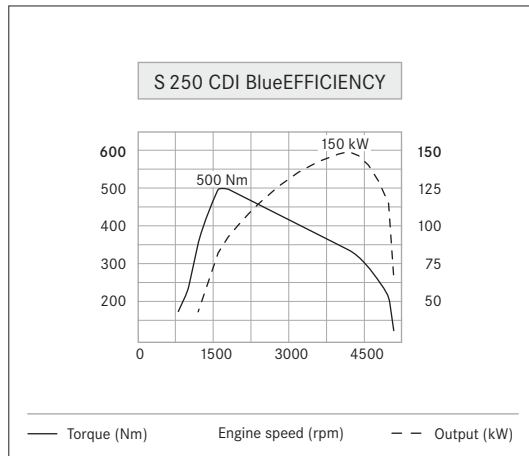


The hybrid components of the S 400 HYBRID in detail

Diesel engines

The consumption- and emission-optimised diesel engines for the S-Class are characterised by power, refinement and efficiency

4-cylinder diesel engine. The S 250 CDI BlueEFFICIENCY impresses with its powerful, efficient 4-cylinder diesel engine. It can accelerate



Peak torque: 500 Nm at 1600–1800 rpm

from 0 to 100 km/h in 8.2 seconds, and with an output of 150 kW, it consumes only 5.7 l/100 km. In addition, with a CO₂ emissions level of 149 g/km it is among the lowest-emission diesel engines in the luxury saloon class.

6-cylinder diesel engine. The modified BlueTEC technology in the S 350 BlueTEC developing 190 kW has extremely low emissions. BlueTEC stands for measures aimed at optimising fuel consumption and for the cleaning and after-treatment of exhaust gases. All of which gives this compression-ignition model one of the world's cleanest diesel drive systems. Further hallmarks of the S 350 BlueTEC include exemplary emission figures, which already meet the requirements of future emission standards

(Euro 6), low fuel consumption, effortlessly superior performance and a high torque of 620 Nm.

Both diesel models feature a particulate filter as standard, significantly reducing particulate emissions.

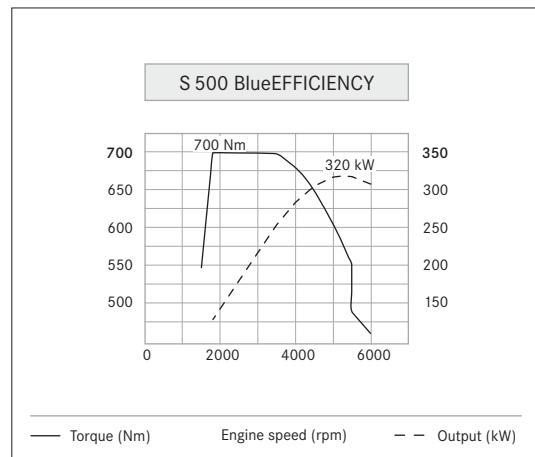


The ECO start/stop function also contributes to enabling the excellent consumption figures of the S250 CDI, unique in its class

Petrol engines

The petrol engines of the S-Class combine intense driving pleasure with eco-friendly operation more effectively than ever. The innovative V6 and V8 engines with direct injection set new standards for efficiency and performance, while the optimised 12-cylinder power plant in the S 600 now complies with the strict Euro 5 emissions class

6-cylinder petrol engine. The new V6 power unit features spray-guided direct petrol injection with piezo injectors, four valves per cylinder and adjust-



Minimum revs, maximum reserves

able camshafts. For the S 350 BlueEFFICIENCY this means: lower fuel consumption, less CO₂ emissions and even greater refinement. Its output is 225 kW, while it delivers its peak torque of 370 Nm at 3500 rpm.

V8 petrol engines. The drive unit has been developed from scratch and excels with a fuel consumption that is 15% lower than on the predecessor model. On the other hand, its performance credentials have been given a significant boost by the twin turbochargers and intercooling. A power output that has been increased to 320 kW, a substantially higher torque of 700 Nm on tap from just 1800 rpm, plus improved acceleration promise effortlessly superior motoring in every handling situation.

The ECO start/stop function integrated in the 6- and 8-cylinder petrol engines also helps you save fuel when waiting at traffic lights or in a traffic jam.

12-cylinder petrol engine. The measure of all engines – offering outstanding refinement, spontaneous power delivery and sublime sound. Not only that, it is also highly efficient and technically innovative. The V12 biturbo engine achieves its peak torque of 830 Nm before even reaching the 2000-rpm mark. And it takes just 4.6 seconds to accelerate from 0 to 100 km/h thanks to its 380 kW output.



State-of-the-art technology featuring high-pressure direct injection with piezo injectors in the new V8 petrol engine

Transmissions

Whatever your driving style – economical or sporty – the S-Class transmissions have been optimised with your needs firmly in mind

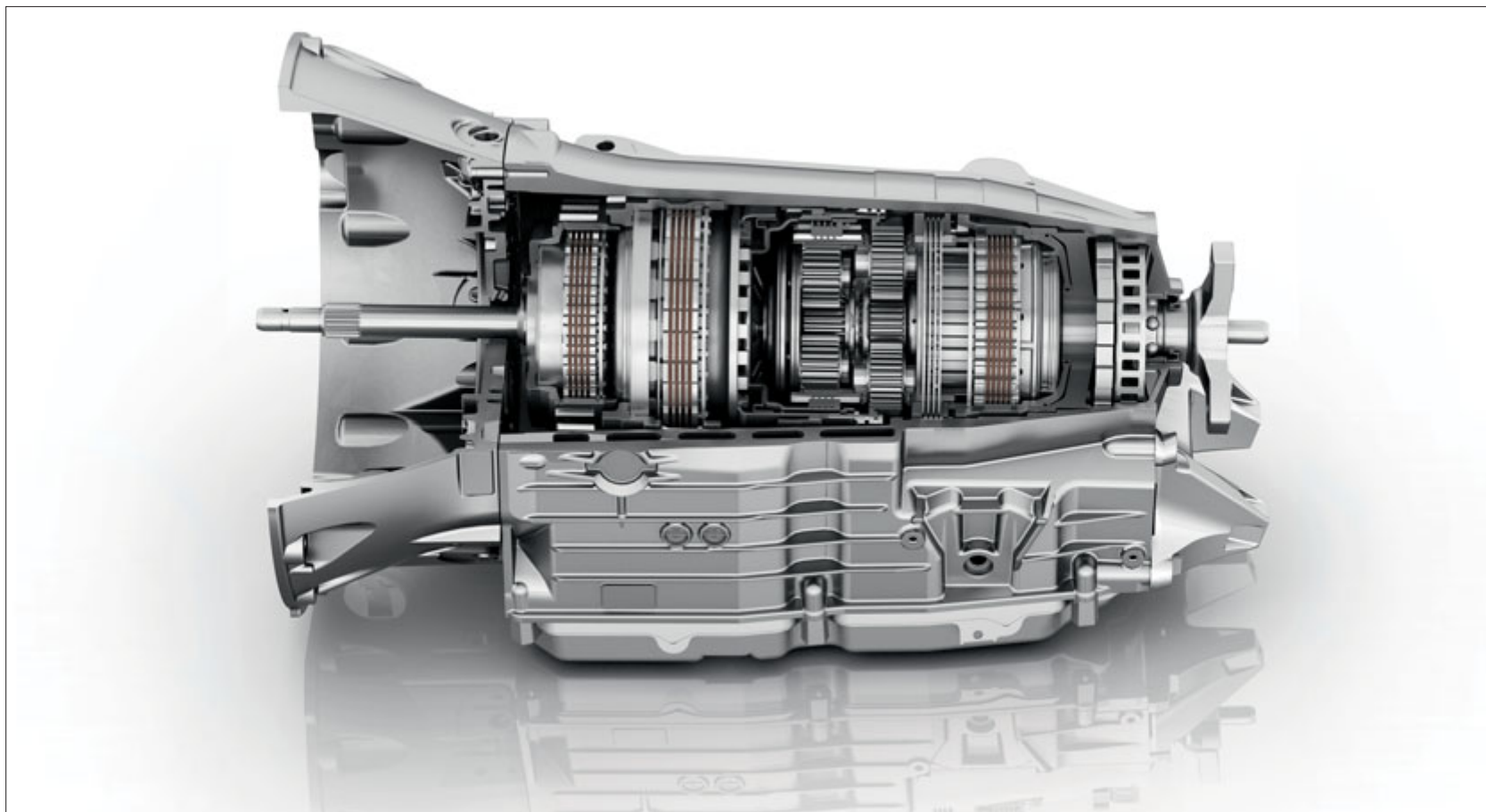


The DIRECT SELECT lever on the steering wheel

7G-TRONIC and 7G-TRONIC PLUS. Many of our V6 and V8 engines, as well as the 4-cylinder diesel engine in the S 250, are equipped with the 7G-TRONIC PLUS enhanced 7-speed automatic transmission as standard. Both transmission systems are controlled by means of the DIRECT SELECT lever on the steering column. With seven forward gears, these systems ensure an optimum engine speed all the time, thus reducing fuel consumption. Short and smooth gear changes make for supreme ease of shifting and low noise levels. A set – up switch enables the driver

to choose from three modes: Manual, Comfort or Sport. Manual gearshifts are performed using steering-wheel gearshift paddles – similar to those used in motorsport.

5-speed automatic transmission. This transmission is the perfect complement to the twelve-cylinder engine's characteristics. Gear changes are so fast and smooth that they are barely perceptible, while just the right amount of power is delivered for every situation. A manual gearshift option is available if required.

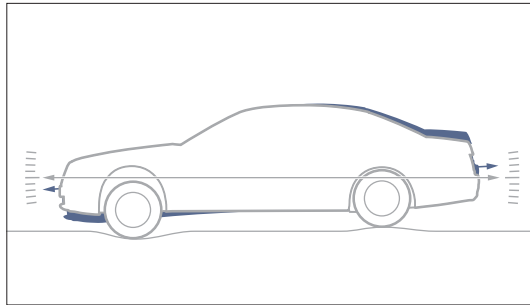


The 7G-TRONIC PLUS: the result of more than 40 years of experience in the development of automatic transmissions

Chassis and suspension

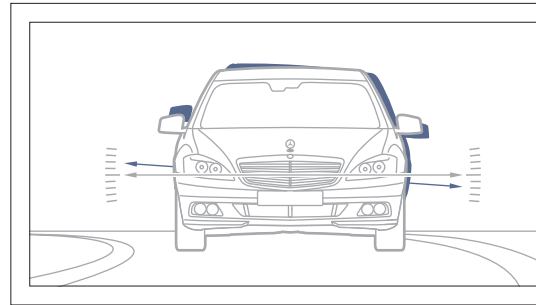
Comfort is omnipresent – thanks to precision-tuned chassis and suspension components as well as powerful all-wheel drive

The AIRMATIC air suspension, fitted as standard, and Active Body Control (ABC) with crosswind stabilisation make for high levels of comfort and agility as they adjust the chassis and suspension settings to suit the current situation with minimum fuss. Sporty suspension settings are selected for dynamic driving, while a more comfort-oriented setting is adopted for leisurely cruising.



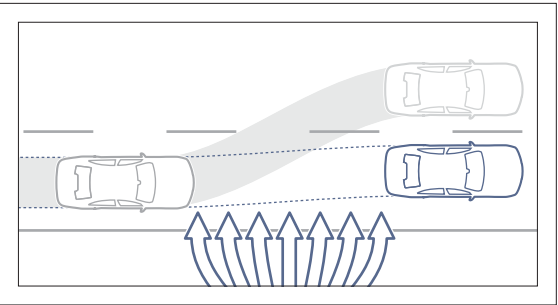
AIRMATIC air suspension helps to maintain a constant ground clearance, even if the car is carrying a heavy load

ABC uses microprocessor-controlled suspension struts to compensate for the car body's lift, pitch and roll: it counteracts these movements by selectively raising or lowering the chassis. The same process is employed to reduce body movements when pulling away and braking. Hence ABC ensures best-possible roadholding, agility, dynamism and an effortlessly superior driving



ABC ensures an extremely agile and dynamic driving feel, while crosswind stabilisation improves handling by actively influencing the wheel forces

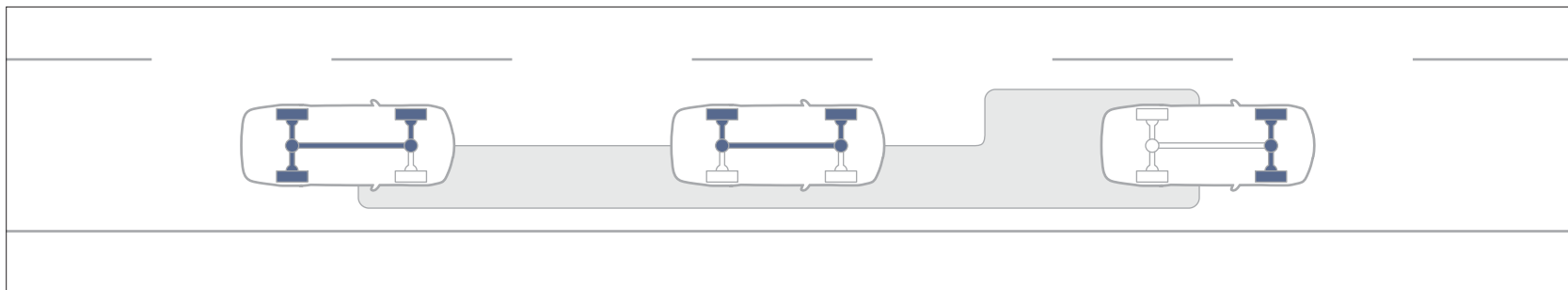
feel in virtually every handling situation. Crosswind stabilisation, meanwhile, can compensate for the effect of crosswinds, by distributing the wheel load, and helps to maintain directional stability, even in stormy weather. ABC with crosswind stabilisation is fitted as standard for the S 600 and AMG models and as an optional extra for the S 500 BlueEFFICIENCY.



4MATIC. The permanent all-wheel-drive system distributes the engine power to both axles at a fixed ratio of 45% to 55% - equalling 100% traction. To this end, 4MATIC uses the Electronic Stability Program ESP® and the electronic traction system 4ETS. The latter enables controlled braking of spinning wheels and, as a consequence, increases the drive torque at the wheels offering

good traction, allowing plenty of power to be planted on the road when moving off and when accelerating, especially on poor road surfaces. Automatic braking pulses make it easier to move off on slippery surfaces as well as enhancing stability during critical manoeuvres. A further advantage of the system is the fact that it is hardly any heavier than the rear-wheel-drive

version on account of the compact design, intelligent choice of materials and high level of efficiency. 4MATIC is only available in conjunction with the 7G-TRONIC PLUS automatic transmission, meaning that it is not an option for the 12-cylinder or AMG models. It is not available for the S 400 HYBRID, either.



The electronic traction system 4ETS automatically directs the drive torque to the wheels with sufficient grip

Safe driving

Assistance systems help to detect and defuse critical situations and, therefore, prevent accidents wherever possible

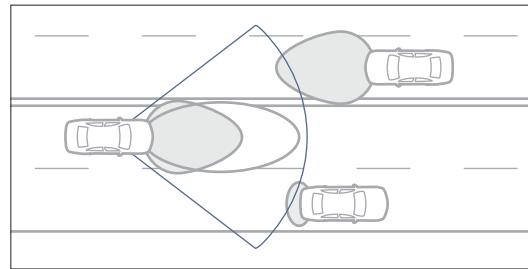
ATTENTION ASSIST (standard)¹. This new drowsiness detection system is useful on long trips. At speeds of between 80 and 180 km/h, ATTENTION ASSIST can warn the driver as soon as it detects signs of inattention. To this end, several sensors analyse driving behaviour on a permanent basis and detect typical signs of drowsiness, such as involuntary steering movements.



If ATTENTION ASSIST detects signs of drowsiness, it recommends that the driver take a break

¹ Not available for S 400 HYBRID

Adaptive Highbeam Assist (standard). Adaptive Highbeam Assist ensures excellent visibility at night time too without dazzling oncoming traffic or vehicles in front. By constantly optimising the headlamp range, it allows the driver to make out the course of the road, pedestrians and hazards earlier and more clearly.



The low-beam headlamps have a range of up to 300 metres with Adaptive Highbeam Assist

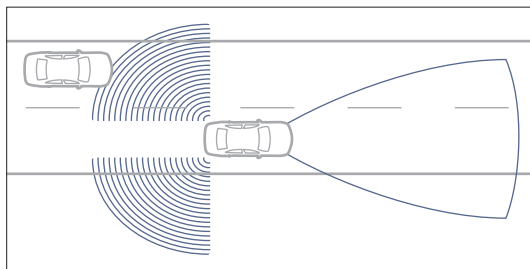
Night View Assist Plus (option). The infrared camera at the heart of this assist system registers the entire area normally covered by main beam and displays the image in the form of a grey-scale picture in the instrument cluster. Furthermore, any people detected are also highlighted, making it easier for drivers to find their bearings in twilight and darkness, enabling them to react more promptly to possible hazards.



Night View Assist Plus makes it easier to see other people

Driving Assistance package Plus (option).²

With a subtle vibration on the steering wheel the Active Lane Keeping Assist warns the driver as soon as he or she leaves the recognised, marked lane unintentionally. If the driver fails to react, a lane-correcting brake actuation can occur. The Active Blind Spot Assist ensures increased safety when changing lanes. Two radar sensors observe the area which the driver cannot see well in the



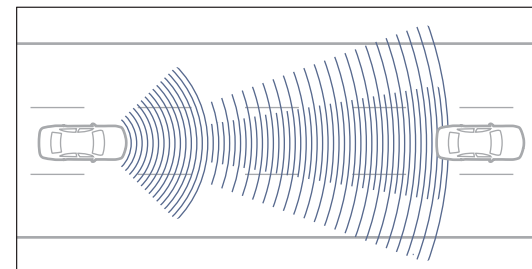
Active Lane Keeping Assist and Active Blind Spot Assist can support the driver in case of danger

exterior mirrors – the “blind spot”. If the assistance system detects a vehicle in the danger zone, a red warning triangle lights up in the exterior mirror. When there is an imminent risk, a targeted brake actuation can counteract the lane change here, too. DISTRONIC PLUS proximity control uses radar to help the driver maintain a preset distance between the car and the vehicle in front, making the driver’s job easier in both



Active Blind Spot Assist enhances safety when changing lanes

moving and stop-and-go traffic. Finally, if there is the risk of a collision, the PRE-SAFE® Brake can initiate an emergency brake application.



DISTRONIC PLUS proximity control helps the driver maintain the desired distance between the car and the vehicle in front

² Only the Driving Assistance package PLUS is available for the S 400 HYBRID

In the event of danger or an accident

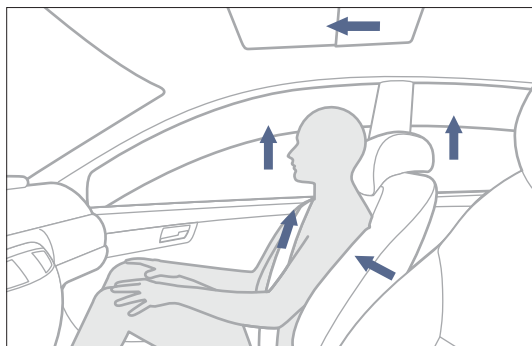
In some cases it may be impossible to avoid an accident: for this eventuality, numerous systems have been developed for the S-Class to ensure even greater occupant protection



A total of nine airbags can protect you and other car occupants in the event of an accident

Airbags (standard). A pioneer of automotive safety, the S-Class was first equipped with a driver's airbag way back in 1981. A front-passenger airbag was added from 1985 onwards, offering even more effective occupant protection. Nowadays the luxury saloon is equipped with nine sophisticated airbags, which can help to prevent or mitigate injuries in the event of a collision. Standard equipment includes two-stage front airbags, sidebags in the seat backrests for the driver and the front passenger as well as windowbags. What's more, the driver can count on an integrated kneebag, which offers additional safety potential in certain situations. Rear sidebags are also included as standard, to protect the rear-seat occupants.

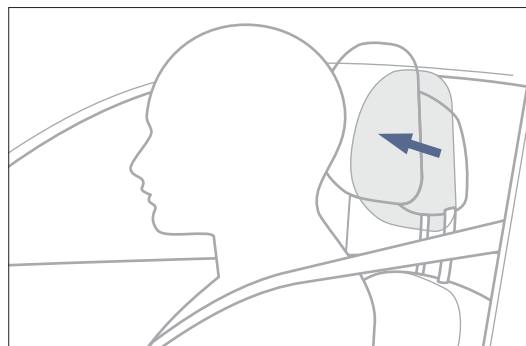
PRE-SAFE® system (standard). This anticipatory occupant protection system is able to detect certain critical driving situations in advance and activate preventive measures. If an imminent accident is detected, the system can close the side windows, move the front passenger seat to a more favourable position and tension the front



The PRE-SAFE® anticipatory occupant protection system helps to mitigate the consequences of accidents

seat belts automatically. It can also close the sliding sunroof and provide lateral support for the occupants if the multicontour seats are ordered as part of the car's equipment.

PRE-SAFE® Brake (a component of the Driving Assistance package). This system provides the



The NECK-PRO head restraints can reduce the risk of whiplash significantly in a rear impact

driver with visual and audible warnings if the risk of a collision is detected. If the driver fails to respond, it initiates autonomous partial braking, triggers PRE-SAFE® measures and gives the driver an additional tangible warning. Autonomous emergency braking is initiated subsequently if there is still no response from the driver. These measures can bring about a significant reduction in the impact speed and the accident severity.

NECK-PRO head restraints (standard). The head restraints for the driver and front passenger can be activated by sensor control in a rear impact: a spring mechanism moves the head restraints forwards and upwards, providing earlier support for the head and reducing the strain on the spine.

Light

Sophisticated LED technology enhances the already impressive looks of the S-Class, especially at night. Daytime driving lights are integrated in the front bumper

Headlamps (standard). The S-Class is equipped with bi-xenon headlamps. The distinctively shaped turn indicators enhance the car's recognisability. Then there are the new daytime driving lights which, like the front fog lamps, are round and integrated in the bumper.

Tail lights (standard). The extensive use of visible LEDs for the indicators, the tail lights and the brake lights gives the tail-light clusters a particularly distinctive look. The innovative LED design based on a classic S-Class look enhances visibility for following traffic.

LED Light package (option). The sophisticated technology at the heart of this package gives the S-Class face a highly distinctive look. The LED

daytime driving lights – in the form of luminescent strips with chrome surrounds – are integrated on the right and left of the bumper. The turn indicators and side lights also use LED technology.

The package also includes the Intelligent Light System – with its active light function, rural mode, motorway mode, enhanced fog lamps and cornering light function – as well as Adaptive Highbeam Assist.



Tail lights featuring a sophisticated LED design



LED Light package: Intelligent Light System and LED daytime driving lights in the bumper

Ambient lighting (option). This light concept stylishly accentuates the interior design in the dark. Upon opening the door, the driver is met by a welcoming light which makes the interior appear even larger and even more comfortable. When the door is closed, the LED lights are dimmed automatically. For this, the light can be adjusted to one of five possible brightness settings using COMAND. Furthermore, the lighting mood can be varied by selecting one of three colours. Whether it be ice blue (polar), amber (solar) or white (neutral), it's all a matter of personal taste.



The ambient lighting shines as a narrow band of LEDs along the wood trim, the dashboard and all four doors. These lights are dimmable and can be made to come on in one of three different colours

Multimedia systems

Available in addition to the standard-fit USB, Bluetooth® and SD card interfaces, SPLITVIEW, the Harman Kardon® Logic 7® surround sound system and the Rear Seat Entertainment package provide outstanding entertainment for every occupant

COMAND APS (option in Navigation package). The multimedia system combines telephone, audio, video and hard-disc navigation*, showing the information on a central colour display. As well as playing video and audio DVDs, the integrated DVD player can also handle CDs and MP3 files. In addition, MUSIC REGISTER enables you store up to 2500 music tracks. Music Search

allows you to search this database based on track title or artist name, for example, so that you can always locate the music you want quickly and easily. The COMAND APS display shows maps – those used by the navigation system, for example – in 3-D.

SPLITVIEW (option, part of Front Seat Entertainment package). SPLITVIEW is an innovative display technology that allows driver and front passenger to each see a different picture on the same screen. While the driver looks at navigation information, the front passenger can, e.g. compile their own personal entertainment programme and listen through wireless headphones.



COMAND Controller in the centre console (standard)



SPLITVIEW displays two different images at the same time – for the driver (1) and front passenger (2) – on a single screen

* Three years of free updates for your map data are already included (vehicle-specific, as of first registration)

Rear Seat Entertainment package (option).

Entertainment for the rear passengers comes courtesy of the Rear Seat Entertainment package, consisting of a DVD player, two 20.3-cm TFT colour displays mounted on the head restraints of the front seats, two sets of radio headphones, remote control and two Aux-in connections. It is

therefore possible to watch films or connect a games console whilst on the road.

Excellent, further optimised sound quality is provided by the Harman Kardon® Logic 7® surround sound system. It combines surround sound in Dolby Digital 5.1, a 13-channel DSP

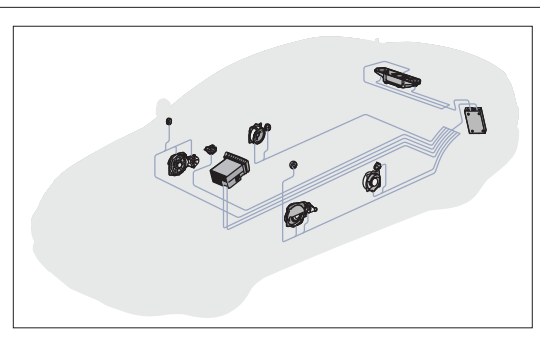
sound amplifier, 14 speakers optimised to suit the car interior and a subwoofer. The 3-D stereo sound ensures sheer listening pleasure whilst the speed-sensitive volume control provides a constant sound impression. What's more, the rear passengers can also control the in-vehicle players and interfaces.



Rear screen mounted on the head restraints



The Harman Kardon® Logic 7® surround sound system: a first-class acoustic experience with an output of 600 watts



High-end sound system: Bang & Olufsen BeoSound AMG

High-end surround sound, just like at a live concert – with the sound system specially developed for the S-Class

With the new Bang & Olufsen BeoSound AMG high-end sound system from the Danish specialist you can actually see as well as hear the perfect acoustics. For the 15 high-performance loudspeakers with a total output of 1200 watts blend

superb technology with an exclusive design. The covers on the subwoofer box in the parcel shelf and the mid-range speakers and woofers in matt aluminium in the front and rear doors are a feast for the eyes. And your ears are pampered

by the kind of richly layered soundscape you would usually expect in a concert hall rather than a saloon.



With their high-quality design the aluminium Bang & Olufsen loudspeaker covers are a visual delight, too

Four softly illuminated tweeter lenses provide the perfect finishing touches to the visual and acoustic experience. Two of them are positioned in the mirror triangles of the front doors, and two more for the rear seats are situated in the

B-pillars. The sound field can be precisely tuned to the seats in use via the COMAND APS. This ensures that the sound comes into its own everywhere, whether you are driving or being driven. Thanks to the closed boxes, the 15 loud-

speakers produce a specifically defined effect in the interior, whilst at the same time minimising outward acoustic radiation – when telephoning in hands-free mode, for instance.



The illuminated tweeter lenses look especially stunning on night-time journeys



You can adjust the sound to suit your seat position as well as your listening preferences

Assistance systems

Numerous assistance systems help to enhance ride comfort and make life even easier for the driver of the S-Class

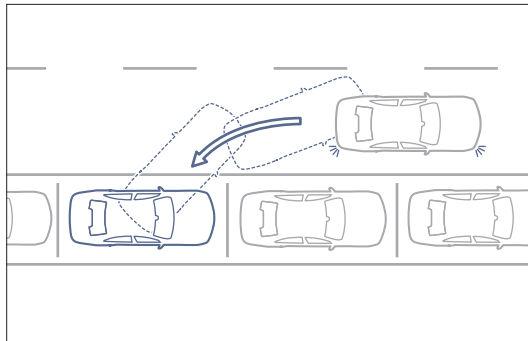


All-round visibility when parking and reversing – thanks to the optionally available reversing camera

Parking package (option). The reversing camera provides assistance to make it easier and safer to park in reverse by affording the driver a better view of the area around the rear of the car. A wide-angle lens is installed below the boot handle. The reversing camera is activated automatically when reverse gear is engaged and registers the area immediately behind the car, sending the image to the COMAND display.

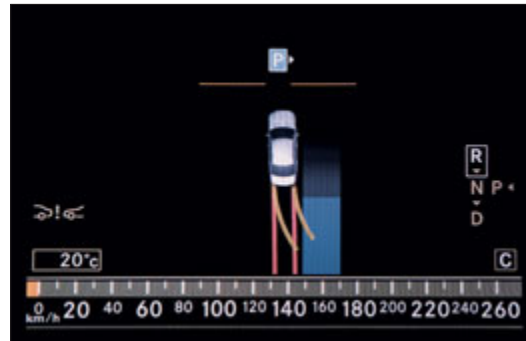
The Parking package also features PARKTRONIC including Parking Guidance. The Parking Guidance system measures parking spaces automatically and helps the driver to find a parking space and to park in it. The data recorded by ultrasonic sensors are used to determine whether a parking space is large enough. The parking situ-

ation is then shown on the multifunction display. Yellow markings on the display indicate the path that needs to be steered, red markings the path that is currently being steered. When the two overlap, they turn green. The PARKTRONIC display also indicates the current distance to obstacles.



Parking Guidance provides parking instructions

Speed Limit Assist (option in Navigation package). This system can detect speed-limit signs on the road and indicate the detected speed limit to the driver on the display. It therefore enhances both safety and convenience. This enhanced convenience is of particular benefit



Parking Guidance is easy to use

on routes with variable speed limits or road works.



Speed Limit Assist display in the instrument cluster

Climate control

An ideal interior climate enhances comfort and makes a significant contribution towards a relaxed journey. The standard specification in the S-Class includes four front climate zones, with two rear climate zones available as an option

The automatic climate control system allows the driver and front passenger to adapt the climate in their respective seats to suit their individual



Ideal temperature for each individual occupant at the push of a button

requirements – independently of each other. It keeps the temperature at the desired level automatically, even in strong sunlight. To this end,



The optional rear air conditioning

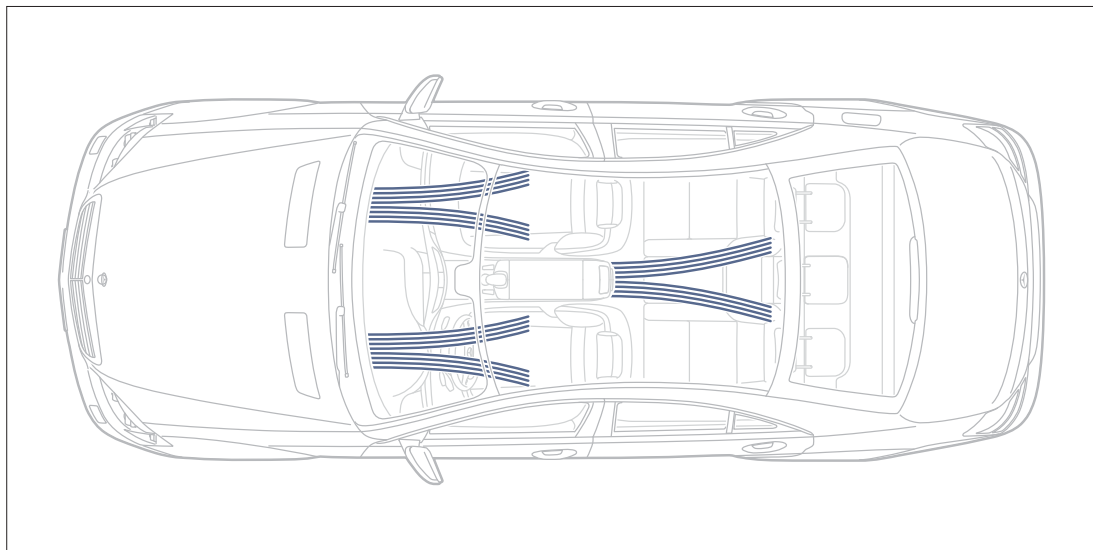
sensors register the temperature inside and outside the S-Class, controlling the heating, cooling and fan for each temperature zone individually, according to requirements. And the airflow can be adjusted in line with individual needs, with a choice of three modes: “diffuse”, “medium” and “focused”.

The front footwell temperature can be adjusted in line with the interior temperature separately (precisely as required, two levels warmer or colder). An activated charcoal filter ensures that only clean air enters the car.

Separate rear air conditioning is available as an option for the two rear zones. A control unit on

the rear face of the centre console allows the rear passengers to set their preferred climate individually. As well as offering an automatic mode, the unit features manual controls with which the air temperature and distribution can be set separately for the left and right sides.

So there's always a pleasant atmosphere inside the S-Class. Not only does this increase comfort levels, it enhances driver concentration too, meaning greater safety for all occupants.



The independently controllable temperature zones in the S-Class

Seats

The seats in the S-Class meet the very latest requirements in terms of ergonomic design, comfort and safety

Front Seat Comfort package (option). The active multicontour seats with a massage and dynamic handling function as well as NECK-PRO luxury head restraints offer the driver and front passenger an exceptional degree of comfort, even on longer trips. A series of air chambers for the lumbar and shoulder areas can be optimised to suit individual body shapes, while the seat's side bolsters adjust automatically and dynamically in line with the car's movements, ensuring excellent, reliable support at all times – especially when cornering.

Wellbeing is enhanced by seven massage chambers and four massage programs which use rolling movements to stimulate the back muscles and thus play an active part in helping the occupants to maintain physical fitness.



The active multicontour front seats with a massage and dynamic function



Multicontour rear seats with a massage function

Seating comfort package, rear (option). Additional comfort in the rear is provided by multicontour seats with massage function. And safety is enhanced by the luxury head restraints for the outer seats. If the system registers a critical handling scenario, the integrated PRE-SAFE® positioning function can move the seats into a more favourable crash position.

Rear Seat Memory package (option). Both outer seats in the rear are optionally electrically adjustable, with a Memory function that allows you to save your preferred seat settings and call them up again at the touch of a button. What's more, the electrically adjustable individual rear seats feature the PRE-SAFE® positioning function.

Long-wheelbase version

Every amenity for travel, relaxation and work



The long-wheelbase version of the S-Class

A total of 13 centimetres longer than the standard model, the long-wheelbase version of the S-Class more than lives up to its name, as it offers the rear occupants even more legroom. The list of standard equipment and appointments is long too, and includes leather appointments, heated front and rear seats, electrically adjustable outer rear seats, a sliding sunroof, and a blind which can cover the entire rear window.

Optional extras include individual rear seats and the panoramic sliding sunroof as well as manually adjustable folding tables that provide an ideal working environment in the rear.

The Rear Seat Entertainment package is also available as an option, as is a second handset in the armrest. If the latter is ordered, the rear

occupants as well as those in the front can take calls.



Extra legroom for the rear passengers



An exclusive ambience for all passengers

S 600

Well thought-out details and a wealth of comfortable appointments in the S 600 make for supremely relaxed motoring

The S 600 comes complete with luxurious ex-factory Exclusive PASSION leather appointments. The active multicontour front seats, multicontour rear seats with a massage function, door centre panels, centre console and dashboard are trimmed in fine leather, while the A-, B- and C-pillars are finished in Alcantara® – as is the



V12 logo appears in instrument cluster when S 600 is fired

roof liner with V12 fluting. The trim on the doors, dashboard, armrest and steering wheel is available in exclusive poplar wood. KEYLESS-GO and ambient lighting – which can be switched on in one of three colours – are also provided, of course, as is outstanding sound, courtesy of the Harman Kardon® Logic 7® surround sound system. The



Exclusive V12 tailpipes with their vertical rib

latter is part of the standard-fit Entertainment package in the front. Then there is the Navigation package with its hard-disc navigation system forming part of COMAND APS, not to mention PARKTRONIC incl. Parking Guidance and the reversing camera to assist with parking.

The front section of the S 600 is dominated by the radiator grille in chrome with three double louvres. Another visual highlight is the standard-fit LED Light package, including the Intelligent Light System, Adaptive Highbeam Assist and LED daytime driving lights plus indicator lamps and side lights with LED technology. Even when it is not moving, the saloon, with its standard-fit light-alloy wheels featuring V12 styling, radiates dynamism. Characteristic traits include the V12 badges on the wings, the tailpipes integrated in the bumper with a vertical rib and chrome trim on the rear bumper.



The front section with its special double-louvre radiator grille in chrome and standard-fit LED front lights

S-Guard

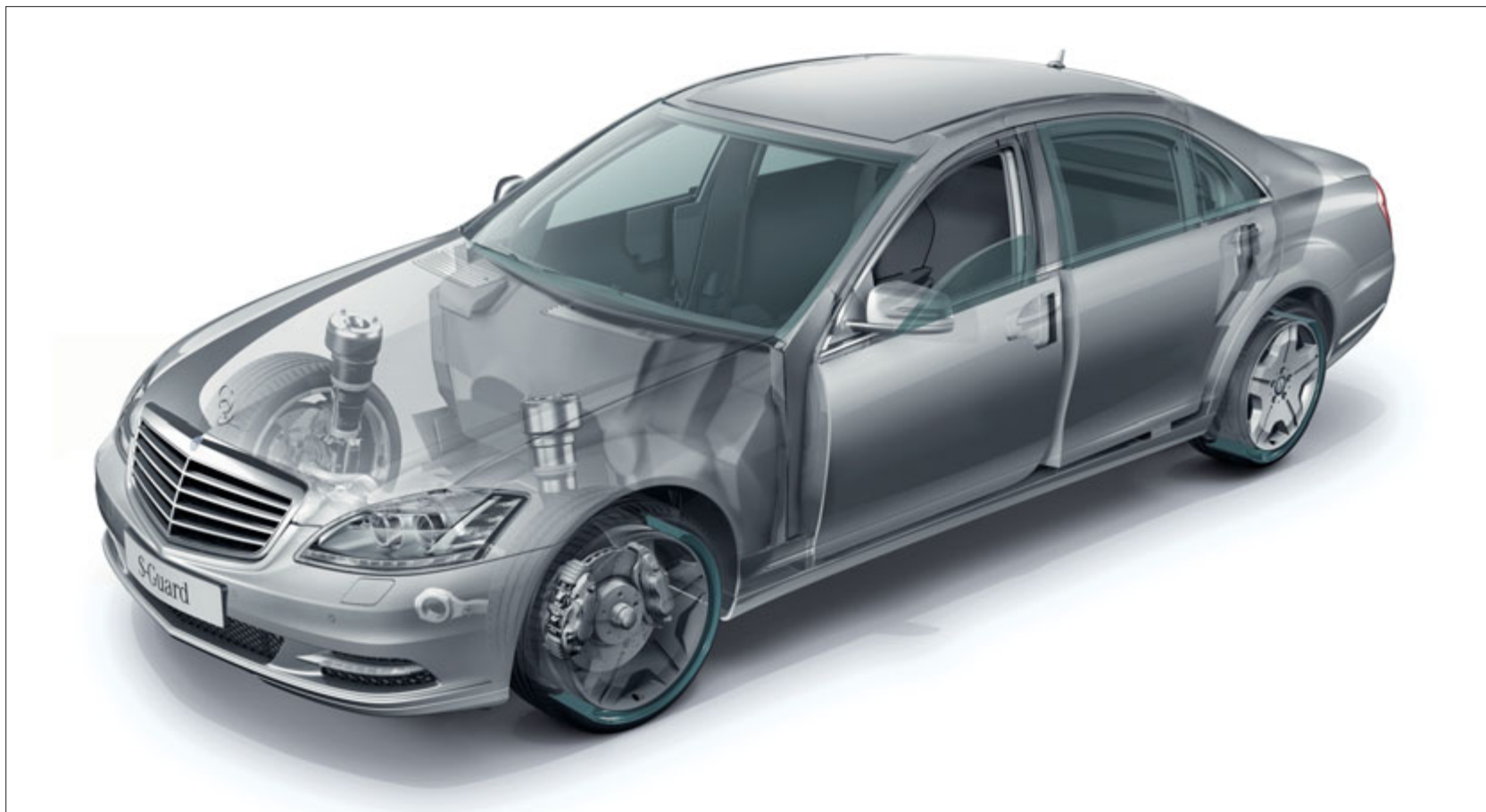
Only a protection system fitted ex factory offers what actually matters in reality: comprehensive special protection → www.mercedes-benz.com/guard

Perfectly concealed beneath an outer skin that looks identical to that of the series-production model lies an integral network of protective components. The passenger cell is a brand-new design from the bottom up and incorporates highly effective reinforcements. Especially at points that are no longer accessible once the body is complete. The result, produced in a strictly screened production facility, is a protective area consisting of high-strength steel, aramid and

special glass. Like every Mercedes-Benz, the S-Guard needs to pass all the key quality and safety tests with flying colours, of course, not to mention specific special-protection tests involving firearms and explosives. Only then can it be called an S-Guard – certified by independent authorities and forearmed for extreme situations.

An S-Guard includes all the familiar S-Class amenities, of course.

Plus all the usual safety components – such as the electronic control systems, brakes, chassis and suspension – which have been adapted to take into account additional requirements due to the extra weight of the S-Guard. The S-Guard lives up to its claim of being able to offer mobile special protection and exclusive comfort at the highest level.



Mobile protection of the highest calibre: the S-Guard offers a degree of safety and quality not achievable by simply retrofitting armour plating

S 600 Pullman Guard

A prestigious combination of special luxury and special protection

Pullman Saloons combine all the attributes of a state limousine ex factory. They have been inextricably linked with major occasions and prominent personalities for some eight decades.

Like the S-Guard, the S 600 Pullman Guard is based on the “factory-integrated protection” principle. Every last detail has been precisely conceived and designed, developed, tested and certified in such a way that a Pullman is the

benchmark. From the protection concept to the 115 cm longer wheelbase, absolutely everything is fitted “ex factory” and comes with the Mercedes-Benz brand’s quality promise. The inside of the Pullman invites you to discover a



S 600 Pullman Guard – a state limousine offering the highest protection

whole new dimension to space. Here you will find every amenity. From the integral refrigerated compartment to state-of-the-art communication systems and the exclusive Rear Seat Entertainment System. It can be a mobile office, a worthy

and prestigious companion, a discreet meeting room, or a welcome retreat. The materials used for the appointments – select woods, exclusive stones, fine leathers and pristine paints – reflect the sheer exclusivity of the Pullman Saloon. The

inner qualities are also mirrored on the outside, wherever you look. Its generous dimensions and opulence ensure a stately appearance and elegant comfort.



Comfortable space in an exceptionally generous format: one of the defining characteristics of the S 600 Pullman Guard



Exemplary safety, outstanding comfort, exclusive materials

S 63 AMG

Dynamism and efficiency → www.mercedes-amg.com



Performance and efficiency, combined in a luxury-segment saloon: the S 63 AMG

One glance at the exterior of the S 63 AMG and the immense forwards thrust of the AMG 5.5-litre V8 biturbo engine with 400 kW at 5250-5750 rpm and a torque of 800 Nm is immediately apparent. The powerful front apron in characteristic AMG guise integrates the LED



AMG sports seats upholstered in PASSION leather with an exclusive AMG seat upholstery layout and natural leather in the side bolsters

daytime driving lights, whilst the diffuser-look rear apron in the vehicle colour is a stand-out feature when viewed from the rear. You can order even more dynamism as an optional extra: 420 kW at 5500 rpm and 900 Nm are at the disposal of your S-Class with the AMG Performance



AMG sports exhaust system with chromed twin tailpipes

package. And you can further individualise your AMG vehicle just as you wish in the AMG Performance Studio - with the AMG forged wheels painted in black, for instance.



AMG forged wheel painted in black (option)

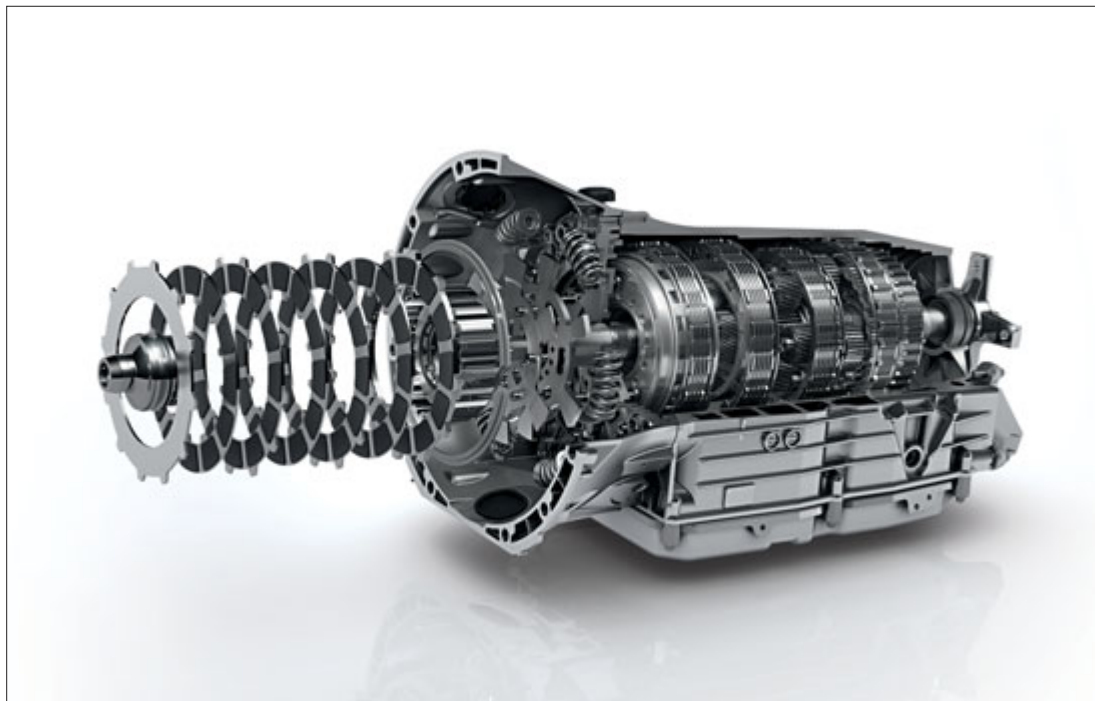
S 63 AMG technology

Thrilling experiences at the wheel and maximum efficiency with the new AMG 5.5-litre V8 biturbo engine and the AMG SPEEDSHIFT MCT 7-speed sports transmission

AMG 5.5-litre V8 engine. The new AMG V8 biturbo engine in the S 63 AMG impresses both with its sheer power and its extraordinary efficiency. Up to 420 kW at 5500 rpm and 900 Nm are on tap in the optional AMG Performance package, but with its combined fuel consumption of only 10.5l/100km it sets new standards in its segment. This is all thanks to the unique combination of innovative high-tech systems such as direct petrol injection, biturbocharging, brake energy recuperation and the Controlled Efficiency transmission mode with its start/stop function. And, just as you would expect from an AMG, it boasts a powerful, resonant engine sound.



The new AMG 5.5-litre V8 biturbo engine with up to 420 kW and 900 Nm of torque



AMG SPEEDSHIFT MCT 7-speed sports transmission. The AMG SPEEDSHIFT MCT 7-speed automatic transmission also unites the best of two worlds: the sporty, direct and agile response of a manual transmission and the maximum comfort of an automatic. With the three transmission modes Controlled Efficiency, Sport and Manual, drivers can decide how dynamically they want to change between the transmission's seven gears. Fast downshifting is a further strength of the new AMG MCT sports transmission; via kickdown you can change straight from seventh to fourth gear, for example - the perfect way to exploit the AMG V8 biturbo engine's power to maximum effect.

Fast and easy: changing gear with the AMG SPEEDSHIFT MCT 7-speed sports transmission

S 65 AMG

The most powerful AMG saloon of all time combines imposing power and exclusive dynamics → www.mercedes-amg.com

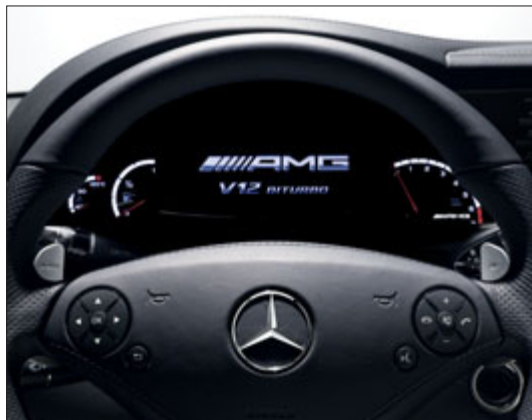


The S 65 AMG underlines its unique standing in the segment for exclusive V12 high-performance saloons

The most powerful S-Class model: the S 65 AMG with an AMG 6.0-litre V12 biturbo engine develops 463 kW at 4600-5000 rpm and achieves a peak torque of 1000 Nm. The result is exhilarating performance - acceleration from 0 to 100 km/h in just 4.4 seconds. Gears can be

selected using the DIRECT SELECT lever or aluminium gearshift paddles on the AMG sports steering wheel - as in Formula 1. The design is rounded off by an AMG sports exhaust system with two chromed twin tailpipes featuring AMG V12 styling, with AMG twin-spoke forged

wheels painted in titanium grey providing a further dynamic touch. Optional extras include trim in black piano lacquer/carbon fibre from the AMG Performance Studio.



The AMG sports steering wheel and the AMG instrument cluster



AMG trim in black piano lacquer/carbon fibre (option)



AMG sports seats in jet black Exclusive designo aniline leather upholstery (option) with AMG V12 diamond pattern

Standard equipment | Selection



Multifunction steering wheel in nappa leather



ATTENTION ASSIST



Telephone keypad



Centre console with COMAND Controller



COMAND colour display



Bluetooth® function in COMAND



Daytime driving lights and front fog lamps with dual circular design



LED tail light

Optional extras | Selection



Wood/leather steering wheel



KEYLESS-GO



DISTRONIC PLUS



Rear Seat Entertainment package



Active multicontour seats in the front



Boosts safety: Driving Assistance package Plus incl. Active Blind Spot Assist



Harman Kardon® Logic 7® surround sound system



Panoramic sliding sunroof system

Some of the illustrated features may show package items

AMG Sports package

Dynamic design and exclusive sportiness → www.mercedes-benz.com

The AMG Sports package injects the S-Class with even more dynamism. It begins on the outside with a powerful-looking AMG front apron and side skirts, continuing all the way back to



Trim in high-gloss black ash wood

the distinctive AMG rear apron. The impressive look is completed by AMG 5-spoke light-alloy wheels with a high-shine finish or, as an optional extra, AMG twin-spoke light-alloy wheels.



The distinctive rear apron – part of the AMG Sports package

Further distinguishing features vis-à-vis the standard model include the painted brake callipers with “Mercedes-Benz” lettering and, for the 6-cylinder models, larger front brake discs. There are even more differences inside, including trim in high-gloss black ash. Then there is the wood/leather steering wheel and, finally, the sports pedals in brushed stainless steel and matching AMG floor mats in velour.



The AMG Sports package lends the S-Class a sporty, dynamic aura

designo

A wealth of high-grade appointments and special details make designo an alluring proposition → www.mercedes-benz.com/designo

The handcrafted designo range is a source of almost unlimited inspiration with its wide choice of colours, exclusive trim and fine materials.

Even the exterior paintwork can be ordered in one of several additional colours.

Moving inside, there is a choice of designo aniline leather or designo natural leather in various colours. Both versions are also available as



Door centre panel in designo light brown Exclusive aniline leather (X35)



Trim, designo natural maple grain wood (W64)

exclusive designo leather appointments throughout (see pictures). Plus customers can select from a wide range of stylistically matched wood or stone trim, for example wafer-thin polished granite from Norway or high-gloss black piano lacquer, applied in up to ten coats.

Together with the characteristic seat upholstery layout with ten-rib longitudinal fluting and the designo metal badge in the seat backrests, a designo steering wheel in wood/leather and the roof liner in Alcantara® create an extra-special atmosphere.



Upholstery in designo light brown Exclusive aniline leather (X35) with trim in designo natural maple grain wood (W64)

designo Selection

Lending the long-wheelbase version of the S-Class an unmistakable character – the designo Selection

→ www.mercedes-benz.com/designo

High-quality designo appointments add a very personalised touch to the S-Class. And the designo Selection package can make your decision

easier as it already includes all the exclusive features. With designo Selection, you can choose any of the available designo exterior paint

finishes (designo metallic, designo mystic or designo magno).



Upholstery in designo porcelain Exclusive aniline leather (X27) with trim in designo black piano lacquer (W69)



designo wood/leather steering wheel in black piano lacquer

You can also select any of the available colours for the seat upholstery in designo Exclusive aniline leather. And any of the available designo wood trim along with a matching designo wood/leather steering wheel. Then there is the roof liner in designo black nappa leather with longitudinal fluting as well as an exclusive designo logo in 18-carat solid gold. Whether your preference is for a harmonious colour scheme or a high-contrast combination, the designo Selection is sure to emphasise the exclusivity of your S-Class. To help you make your choice, you can check possible combinations online beforehand, entirely at your leisure. Here you will find a specially designed help function to take you through the numerous options offered by the designo Selection.



designo logo in 18-carat gold



Upholstery in designo porcelain Exclusive aniline leather (X27)



Roof liner in designo black nappa leather with longitudinal-fluting design

Upholstery and trim

An interior fashioned according to your wishes – with sumptuous wood trim and fine fabric or leather covers



The colour-contrasting topstitching on the glove compartment

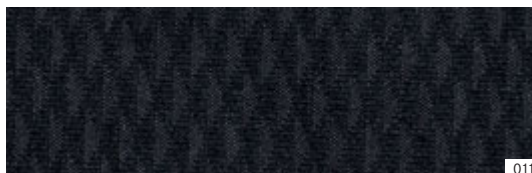
PASSION leather package. This high-quality appointments package for the interior comprises seats and armrests in fine leather, a dashboard and door panelling in ARTICO man-made leather – all with colour-contrasting topstitching.

Exclusive PASSION leather package. The optional appointments package refines the PASSION leather package – the dashboard, door panelling, seatback panels, ruffled pockets and parcel shelf are covered in fine leather with colour-contrasting topstitching. The roof liner plus the A-, B- and C-pillars all cut an elegant figure in finest Alcantara®.

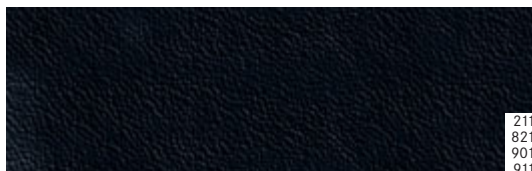
Both appointments packages have floor mats in velour.



The black colour scheme comes with a choice of seat covers in fabric (standard) or, optionally, leather (standard for long-wheelbase version) or PASSION leather. In this case, the interior (dashboard, steering wheel, centre console, side panels and carpet) are all in black. The Exclusive PASSION leather variant is optionally available for the long-wheelbase version, in which case the dashboard, door linings, seatback panels, ruffled pockets and parcel shelf are additionally trimmed in PASSION leather. A further elegant touch is provided by the roof liner and the A-, B- and C-pillars in Alcantara®.



011

211
821
901
911

H15



731



H14



H18



736

BLACK/BLACK

011 Fabric

211 Leather

821 PASSION leather

U09 PASSION leather package

901 Exclusive PASSION Leather package

911 Exclusive PASSION Leather package¹

TRIM

H15 High-gloss dark brown eucalyptus wood²

731 High-gloss dark brown burr walnut wood

H14 High-gloss light brown burr walnut wood

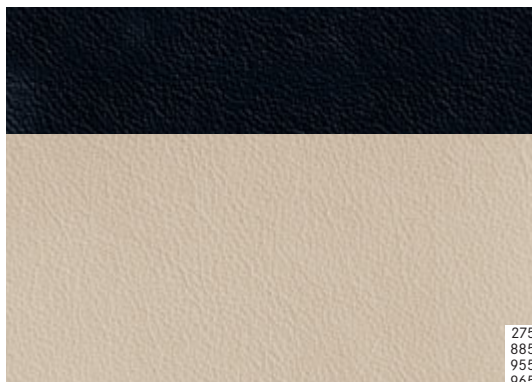
H18 High-gloss brown poplar wood³

736 High-gloss black ash wood

¹ Only for V12² Only standard for V6 and V8, not for V12³ Only standard for V12



The Sahara beige/black colour scheme includes optional leather upholstery (standard for long-wheelbase version) as well as the lower dashboard section, upper centre console section and door interiors in Sahara beige. The upper section of the dashboard, steering wheel, lower section of the centre console, door edges and carpets are finished in black. The same colour combination is available for the optional PASSION leather or Exclusive PASSION leather (for the long-wheelbase version) variants. The latter option includes PASSION leather trim for the dashboard, door linings, seatback panels, ruffled pockets and parcel shelf. A further elegant touch is provided by the roof liner and the A-, B- and C-pillars in Alcantara®.



275
885
955
965



H15



731



H14



H18



736

SAHARA BEIGE/BLACK

275 Leather

885 PASSION leather¹

U09 PASSION leather package

955 Exclusive PASSION leather package¹

965 Exclusive PASSION leather package²

TRIM

H15 High-gloss dark brown eucalyptus wood³

731 High-gloss dark brown burr walnut wood

H14 High-gloss light brown burr walnut wood

H18 High-gloss brown poplar wood⁴

736 High-gloss black ash wood

¹ Not for S 63 AMG

² Only for S 600 L

³ Only standard for V6 and V8, not for V12

⁴ Only standard for V12



The chestnut brown/black colour scheme includes optional leather upholstery (standard for long-wheelbase version) as well as the lower dashboard section, centre console and door interiors in chestnut brown. The upper section of the dashboard, steering wheel, door edges and carpet are finished in black. The same colour combination is available for the optional PASSION leather or Exclusive PASSION leather (for the long-wheelbase version) variants. The latter option includes PASSION leather trim for the dashboard, door linings, seatback panels, ruffled pockets and parcel shelf. A further elegant touch is provided by the roof liner and the A-, B- and C-pillars in Alcantara®.

CHESTNUT BROWN/BLACK

274 Leather

884 PASSION leather¹

U09 PASSION leather package

954 Exclusive PASSION Leather package¹

964 Exclusive PASSION Leather package²

TRIM

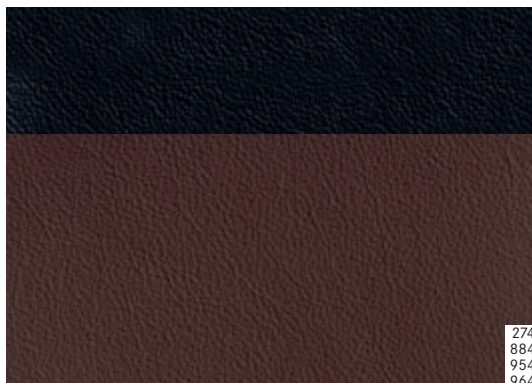
H 15 High-gloss dark brown eucalyptus wood³

731 High-gloss dark brown burr walnut wood

H 14 High-gloss light brown burr walnut wood

H 18 High-gloss brown poplar wood⁴

736 High-gloss black ash wood



H 15



731



H 14



H 18



736

¹ Not for S 63 AMG

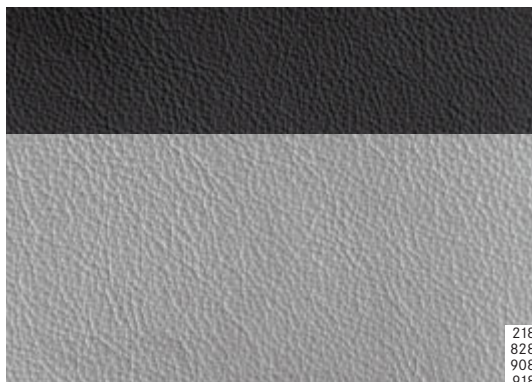
² Only for S 600 L

³ Only standard for V6 and V8, not for V12

⁴ Only standard for V12



The alpaca grey/basalt grey colour scheme includes optional leather upholstery (standard for long-wheelbase version) as well as the lower dashboard section, centre console, door interiors and carpets in alpaca grey. The upper section of the dashboard, steering wheel and the door edges are finished in basalt grey. The same colour combination is available in PASSION leather or Exclusive PASSION leather (for the long-wheelbase version) as an extra-cost option. The latter option includes PASSION leather trim for the dashboard, door linings, seatback panels, ruffled pockets and parcel shelf. A further elegant touch is provided by the roof liner and the A-, B- and C-pillars in Alcantara®.



218
828
908
918



ALPACA GREY/BASALT GREY

- 218 Leather
- 828 PASSION leather
- U09 PASSION leather package
- 908 Exclusive PASSION Leather package
- 918 Exclusive PASSION Leather package¹

TRIM

- H15 High-gloss dark brown eucalyptus wood²
 - 731 High-gloss dark brown burr walnut wood
 - H14 High-gloss light brown burr walnut wood
 - H18 High-gloss brown poplar wood³
 - 736 High-gloss black ash wood
-

¹ Only for V12

² Only standard for V6 and V8, not for V12

³ Only standard for V12



The cashmere beige/savanna beige colour scheme includes optional leather upholstery (standard for long-wheelbase version) as well as the lower dashboard section, centre console, door interiors and carpets in cashmere beige. The upper section of the dashboard, steering wheel and door edges are finished in savanna beige. The same colour combination is available in PASSION leather or Exclusive PASSION leather (for the long-wheelbase version) as an extra-cost option. The latter option includes PASSION leather trim for the dashboard, door linings, seatback panels, ruffled pockets and parcel shelf. A further elegant touch is provided by the roof liner and the A-, B- and C-pillars in Alcantara®.

CASHMERE BEIGE/SAVANNA BEIGE

214 Leather

824 PASSION leather

U09 PASSION leather package

904 Exclusive PASSION Leather package

914 Exclusive PASSION Leather package¹

TRIM

H15 High-gloss dark brown eucalyptus wood²

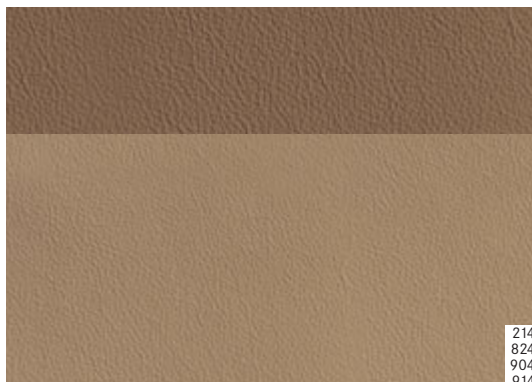
731 High-gloss dark brown burr walnut wood

H14 High-gloss light brown burr walnut wood

H18 High-gloss brown poplar wood³

736 High-gloss black ash wood

Further leather appointments and trim are available in the designo range



214
824
904
914



H15



731



H14



H18



736

¹ Only for V12

² Only standard for V6 and V8, not for V12

³ Only standard for V12

Wheels



5-spoke light-alloy wheel with 255/45 R 18 tyres
(standard for V8 engine)



7-twin-spoke light-alloy wheel with 255/45 R 18 front
and 275/45 R 18 rear tyres, high-shine (optional extra)



7-spoke light-alloy wheel with 235/55 R 17 tyres
(standard for V6 engines)



5-spoke light-alloy wheel with 255/45 R 18 front
and 275/45 R 18 rear tyres (standard for V12 engine)



Multi-spoke light-alloy wheel with 255/45 R 18 front
and 275/45 R 18 rear tyres (optional extra)



10-spoke light-alloy wheel with 255/45 R 18 front and 275/45 R 18 rear tyres (optional extra)



Multi-spoke light-alloy wheel with 255/40 R 19 front and 275/40 R 19 rear tyres (optional extra)



AMG 5-twin-spoke light-alloy wheel with 255/35 R 20 front and 275/35 R 20 rear tyres (optional extra)



5-spoke light-alloy wheel with 255/40 R 19 front and 275/40 R 19 rear tyres (optional extra)



AMG 5-spoke light-alloy wheel with 255/40 R 19 front and 275/40 R 19 rear tyres (AMG Sports package)



incenio "Alaraph" 10-spoke light-alloy wheel¹ for 255/35 R 20 front and 275/35 R 20 rear tyres (accessory wheel available ex factory)

¹ incenio light-alloy wheels are supplied without tyres

Genuine accessories

A Mercedes-Benz is more than just a car. It can be a travel companion, an office, a living space. And this diversity is reflected in the Mercedes-Benz Genuine Accessories range



incenio "Nuklida" light-alloy wheel for 255/40 R 19 front and 275/40 R 19 rear tyres, finish in titanium silver, high-sheen

The Mercedes-Benz Genuine Accessories range for the S-Class is designed to make driving even more of an enriching experience. The incenio "Nuklida" light-alloy wheels are available to further enhance the car's appearance. The 5-Y-spoke design really catches the eye – whether the car is moving or still.

Refined details such as the high-quality illuminated door sills in polished stainless steel with Mercedes-Benz lettering give your S-Class the perfect finishing touch.

Safe and easy transport of everything you need for your active leisure time is assured with the rack systems. The New Alustyle basic carrier bars, for instance, allow you to remain flexible

when transporting sports equipment and items of luggage. And you can combine the basic carrier bars with lots of different roof attachments, such as the “Comfort” combined ski and snowboard rack. Its practical pull-out function facilitates load-



Illuminated door sill panels with “Mercedes-Benz” lettering

ing and unloading. Internet and email on the move: the InCar Hotspot brings the internet to your S-Class. Connect your laptop or up to four other WLAN-capable devices to the internet. Enjoy the advantages of optimum internet access



The practical New Alustyle “Luxury” ski and snowboard rack can carry up to six pairs of skis or four snowboards

which the InCar Hotspot gives you, via a direct connection with the vehicle’s aerial.



Mercedes-Benz InCar Hotspot

Services

Mercedes-Benz Museum. 125 years of automotive history in one place – this is what awaits you at the Mercedes-Benz Museum in Stuttgart. Experience the unique excitement, and embark upon a thrilling journey through time. Housed inside an architecturally impressive building, over 1500 exhibits on nine levels give you an insight into the unique tradition and powers of innovation of the Mercedes-Benz brand. See the world's first two automobiles in the shape of the Benz Patent-Motorwagen (motor car) and the Daimler motorised carriage – both from the year 1886. Two linked circuits take you from the beginnings of the automobile, past a series of unforgettable classics, through more than 100 years of motor racing history and, finally, on to a glimpse of what the future holds – in an area covering a total of 16,500 square metres. Enjoy the unique brand experience. We look forward to your visit. Further details can be found at www.mercedes-benz-classic.com/museum

MercedesCard. The card is your ticket to the Mercedes-Benz experience: four times a year, we will send you exciting details of a selected range of events and services, which we have put together exclusively for you. Then there is the Mercedes Magazine with its fascinating reports and articles. But the MercedesCard also has many other uses: as a VISA credit card, it is an internationally accepted means of payment. Plus it offers further benefits to provide you with peace of mind, such as insurance packages. You can also gain free entry to the Mercedes-Benz Museum simply by showing your VISA MercedesCard. Further details can be found at www.mercedes-benz.de/mercedescard¹

Mercedes-Benz Financial Services. Mercedes-Benz stands for quality, innovation and safety – and the same applies to Mercedes-Benz Financial Services. Our innovative leasing and financing products are tailored to your financial needs and means, making it easy for you to secure the keys to your dream car. Once you are on the road, our insurance products offer you just the right level of protection on every trip. Finally, our service products ensure that your car is always in tip-top condition whilst keeping costs transparent and easily manageable. For a detailed quotation, please contact your Mercedes-Benz dealer, who will be glad to go through the latest financial offers and terms together with you.

Mercedes-Benz mobility. Your new car comes with the assurance of carefree driving, but if you should ever need help Mercedes-Benz Service24h is there for you. Just call the free-phone service hotline on 00800 1 777 7777². The newly integrated telematics service Mercedes-Benz Contact³ is even more customer-friendly: a touch of a button is all it takes to contact the Mercedes-Benz customer centre. If you wish, the relevant vehicle and position-related data can be transmitted at the same time, ensuring the shortest possible reaction time and rapid assistance. Also standard with your new car at no extra charge is the Mercedes-Benz Mobilo⁴ mobility package. Whether you have lost your key, have had a breakdown which cannot be repaired immediately or if the vehicle is damaged due to an accident or vandalism, Mobilo ensures that you still reach your destination – anywhere in Europe. Whatever your problem, one thing is certain: you will soon be able to resume your journey.

Service packages. Vehicle-specific services allow you to put together an individual package for your Mercedes, including long-term protection against unforeseeable repair costs and high-quality servicing with genuine Mercedes-Benz parts. You can also count on the extensive network of Mercedes-Benz workshops, where you will receive the usual high standard of service for your Mercedes at a predictable, fixed price. Please ask your Mercedes-Benz dealer for further details.

Test drive. The unique feeling of driving a Mercedes cannot be put into words. Which is why we'd like to invite you to take a test drive. Simply visit www.mercedes-benz.com to locate the nearest Mercedes-Benz dealer in your country or region. We look forward to seeing you.

Interactive Owner's Manual. The website also offers an interactive tour, enabling you to take a closer look at your desired model. These informative clips are the ideal way to acquaint yourself with your dream car. You can view key functions in detail, gain an insight into the car's inner workings or look at the benefits of each model. For further details, go to:
www.mercedes-benz.de/owners-manual

Mobile internet. Now you can access the entire world of Mercedes-Benz from your mobile phone. As well as an overview of all the passenger car models, there are insights into the entire brand world along with a wealth of entertainment offers and direct links to our range of services at www.mercedes.mobi

¹Information about the MercedesCard in Austria and Switzerland can be found on the Mercedes-Benz websites for these countries
switched-on mobile phone. For the cost of a call to the landline network service partner

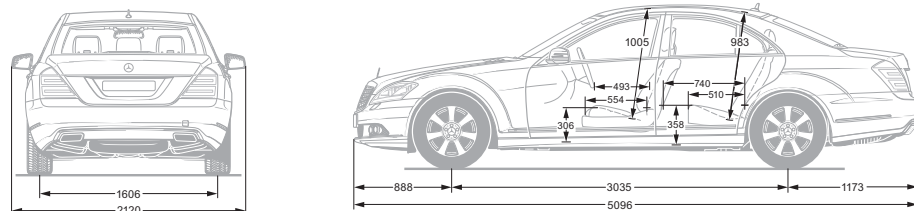
²Mobile phone rates vary according to service provider

⁴When the warranty has expired Mobilo can be extended by another year for a maximum of 30 years, provided that regular maintenance is carried out by your Mercedes-Benz

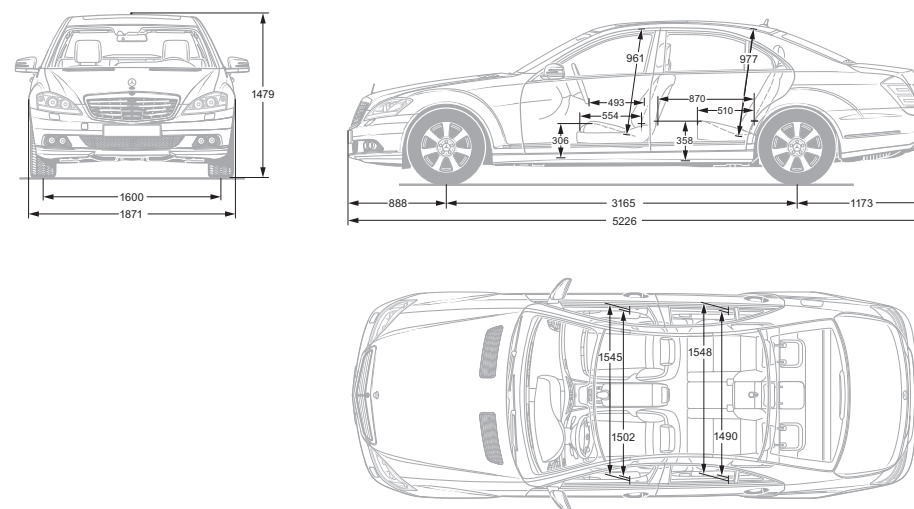
³Only in conjunction with a factory-fitted radio and

Dimensions

S-Class



Long-wheelbase S-Class



All measurements in millimetres. The dimensions shown are mean values and apply to standard-specification, unladen vehicles

Paintwork

The innovative paint system developed by Mercedes-Benz offers one of the best clearcoats on the automotive market. An exceptionally dense molecular structure makes both the metallic and the non-metallic clearcoats more resistant. The longer-lasting and visibly more intensive shine is a key factor behind the car's excellent value retention.

NON-METALLIC PAINT (standard)

040 black

METALLIC PAINTS (option)

183 magnetite black

197 obsidian black

300 periclase green

359 tanzanite blue

368 flint grey

474 peridot brown

544 carnel red

775 iridium silver

792 palladium silver

SPECIAL METALLIC PAINTS (optional)

526 dolomite brown

799 diamond white BRIGHT

Further individual paint finishes can be found in the designo range.

Technical data

Arrangement/number of cylinders
Total displacement (cc)
Rated output ¹ (kW at rpm)
Rated torque ¹ (Nm at rpm)
Compression
Acceleration from 0–100 km/h (s) (long-wheelbase version)
Top speed approx. (km/h) (long-wheelbase version)
Tyre size, front
Tyre size, rear
Fuel
Fuel consumption ³ (l/100 km)
Urban (long-wheelbase version)
Extra-urban (long-wheelbase version)
Combined (long-wheelbase version)
CO ₂ emissions ³ (g/km) combined (long-wheelbase version)
Emissions standard
Tank capacity (l)/incl. approx. reserve
Boot capacity (l)
Turning circle diameter (m) (long-wheelbase version)
Kerb weight ⁴ (kg) (long-wheelbase version)
Perm. GVW (kg) (long-wheelbase version)

DIESEL ENGINES

S 250 CDI BlueEFFICIENCY	S 350 BlueTEC	S 350 BlueTEC 4MATIC
4 in-line	V6	V6
2143	2987	2987
150/4200	190/3600	190/3600
500/1600–1800	620/1600–2400	620/1600–2400
16.2	15.5	15.5
8.2 (8.2)	7.1 (7.1)	7.1 (7.1)
240 (240)	250 ² (250 ²)	250 ² (250 ²)
235/55 R 17	235/55 R 17	235/55 R 17
235/55 R 17	235/55 R 17	235/55 R 17
Diesel	Diesel	Diesel
7.0–7.1 (7.0–7.1)	9.3–9.4 (9.3–9.4)	9.9–10.1 (9.9–10.1)
5.0 (5.0)	5.3–5.5 (5.3–5.5)	5.8–5.9 (5.8–5.9)
5.7–5.8 (5.7–5.8)	6.8–6.9 (6.8–6.9)	7.3–7.4 (7.3–7.4)
149–151 (149–151)	177–182 (177–182)	193–195 (193–195)
Euro 5	Euro 6	Euro 6
83/11	83/11	83/11
560	560	560
11.8 (11.8)	11.8 (12.2)	11.8 (12.2)
1970 (2045)	1995 (2060)	2065 (2130)
2565 (2605)	2590 (2640)	2660 (2710)

PETROL ENGINES

S 350 BlueEFFICIENCY
V6
3498
225/6500
370/3500
12.0
6.9 (7.1)
250 ² (250 ²)
235/55 R 17
235/55 R 17
Premium petrol
10.2–10.6 (10.3–10.7)
6.0–6.3 (6.1–6.4)
7.6–7.9 (7.7–8.0)
177–184 (179–186)
Euro 5
83/11
560
11.8 (12.2)
1910 (1975)
2505 (2555)

¹ Figures in accordance with Directive 80/1269/EEC in the currently applicable version ² Electronically governed ³ The figures shown were obtained in accordance with the prescribed measuring process (Directive 80/1268/EEC in the currently applicable version). The figures are not based on an individual model and do not constitute part of the product offer; they are provided solely for purposes of comparison between different vehicle models

ALTERNATIVE DRIVE SYSTEM

S 400 HYBRID

V6
3498
205/6000
350/3000-5500 (2400-5000)
11.7
7.2 (7.2)
250 ² (250 ²)
235/55 R 17
235/55 R 17
Premium petrol
10.7-10.9 (10.8-11.0)
6.3-6.5 (6.4-6.6)
7.9-8.1 (8.0-8.2)
186-189 (188-191)
Euro 5
90/11
560
11.8 (12.2)
1955 (2020)
2550 (2600)

S 350 4MATIC BlueEFFICIENCY	S 500 BlueEFFICIENCY	S 500 4MATIC BlueEFFICIENCY	S 600 ⁵	S 63 AMG	S 65 AMG ⁵
V6	V8	V8	V12	V8	V12
3498	4663	4663	5513	5461	5980
225/6500	320/5250	320/5250	380/5000	400/5250-5750 (5000)	463/4600-5000
370/3500	700/1800-3500	700/1800-3500	830/1800-3500	800/2000-4500	1000/2300-4300
12.0	10.5	10.5	9.0	10.0	9.0
6.9 (7.1)	5.0 (5.0)	5.0 (5.0)	(4.6)	4.5 (4.5)	(4.4)
250 ² (250 ²)	250 ² (250 ²)	250 ² (250 ²)	(250 ²)	250 ² (250 ²)	(250 ²)
235/55 R 17	255/45 R 18	255/45 R 18	255/45 R 18	255/40 ZR 19	255/35 ZR 20
235/55 R 17	255/45 R 18	255/45 R 18	275/45 R 18	275/40 ZR 19	275/35 ZR 20
Premium petrol	Premium petrol	Premium petrol	Super Plus	Super Plus	Super Plus
10.8-10.9 (10.8-10.9)	12.9-13.4 (12.9-13.4)	13.8 (13.9)	(21.5-21.7)	14.4 (14.4)	(21.8)
6.5-6.7 (6.5-6.7)	7.3-7.4 (7.3-7.4)	7.5-7.6 (7.6-7.7)	(9.7-9.9)	8.2 (8.2)	(9.9)
8.1-8.3 (8.1-8.3)	9.4-9.6 (9.4-9.6)	9.8 (9.9)	(14.1-14.2)	10.5 (10.5)	(14.3)
189-193 (189-193)	219-224 (219-224)	228-229 (230-231)	(329-332)	244 (244)	(334)
Euro 5	Euro 5	Euro 5	Euro 5	Euro 5	Euro 5
83/11	83/11	83/11	90/11	90/14	90/14
560	560	560	550	560	550
11.8 (12.2)	11.8 (12.2)	11.8 (12.2)	(12.2)	11.8 (12.2)	(12.2)
1980 (2045)	2010 (2075)	2075 (2140)	(2210)	2120 (2170)	(2275)
2580 (2630)	2615 (2655)	2685 (2715)	(2690)	2670 (2695)	(2710)

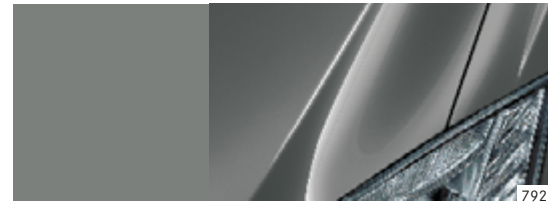
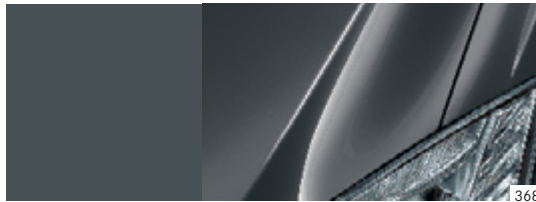
⁴ Figures according to Directive 92/21/EC, version 95/48/EC (kerb weight with fuel tank 90% full, driver, 68 kg, and luggage, 7 kg) for standard-specification vehicles. Optional extras and accessories will generally increase this figure and reduce the payload capacity accordingly

⁵ Only available as long-wheelbase version

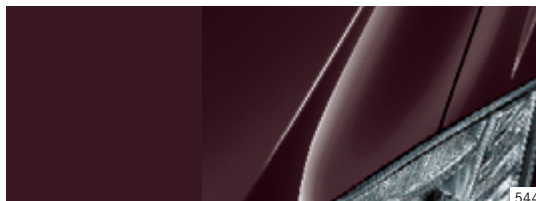
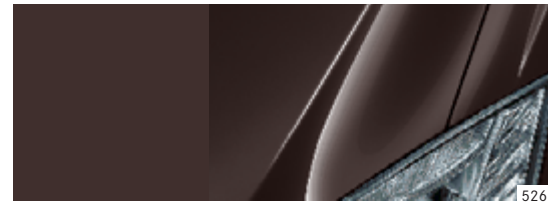
NON-METALLIC PAINT



METALLIC PAINTS



SPECIAL PAINTS



Take-back of end-of-life vehicles. Coming full circle. At the end of its long life, you can return your S-Class to us for environment-friendly disposal in accordance with the EU End-Of-Life Vehicle Directive¹. But that day lies a long way off.

¹ Applies in accordance with national regulations to vehicles up to 3.5 tonnes permissible gross weight. Mercedes-Benz passenger cars have met the statutory regulations governing the suitability of their design for reuse and recycling for a number of years now. A network of vehicle take-back depots and dismantlers has been established which will process your vehicle in an environment-friendly manner. The ways in which both vehicles and parts can be recovered are subject to ongoing development and improvement. Consequently, the S-Class will be able to comply with any future increases in the recycling quota within the stipulated time limits. Further information is available at www.mercedes-benz.com

Please note: changes may have been made to the product since this brochure went to press (19.08.2010). The manufacturer reserves the right to make changes to the design, form, colour and specification during the delivery period, provided these changes, while taking into account the interests of the vendor, can be deemed reasonable with respect to the purchaser. Where the vendor or the manufacturer uses symbols or numbers to describe an order or the subject of an order, no rights may be derived solely from these. The illustrations may show accessories and items of optional equipment which are not part of standard specification. Colours may differ slightly from those shown in the brochure, owing to the limitations of the printing process. This brochure is distributed internationally. It provides a general indication of the range of models, features, optional extras and /or colours available in various countries. Some of the models, features, optional extras and /or colours shown may not be available in your country, or may only be available in a different specification. Additionally some models, features, optional extras and /or colours may only be available in combination with others. For current and more specific information in relation to the range of models, features, optional extras and /or colours available in your country, and their pricing, you should contact your nearest authorised Mercedes-Benz Passenger Car Dealer. www.mercedes-benz.com