

The A-Class



Mercedes-Benz

“Our philosophy is very simple. We give our best for people who expect the best.”

Dr Dieter Zetsche

Contents

| | | | |
|------------------------|-----------|-------------------------------------|-----------|
| The A-Class | 3 | My A-Class | 32 |
| Exterior design | 6 | Equipment & appointments | 34 |
| Agility | 14 | Standard equipment | 34 |
| BlueEFFICIENCY | 14 | ELEGANCE line | 36 |
| Petrol engines | 18 | AVANTGARDE line | 38 |
| Diesel engines | 20 | Comfort package | 40 |
| AUTOTRONIC | 22 | Sports package | 42 |
| Safety | 24 | Standard equipment | 44 |
| Active safety | 24 | Optional extras | 48 |
| Passive safety | 26 | Light-alloy wheels | 56 |
| Comfort | 28 | designo | 58 |
| Interior design | 28 | Genuine accessories | 60 |
| Space and variability | 30 | Services | 62 |
| | | Colours and materials | 66 |
| | | Combination options | 66 |
| | | Upholstery, leather and trim | 67 |
| | | Paintwork | 71 |
| | | Technical data | 68 |

Greatness in a compact form: the A-Class

If carbon is compressed, the result is a valuable diamond. If the Mercedes-Benz philosophy is compressed, the result is a car like the A-Class, whose intrinsic value lies in its unique vehicle concept. Compact on the outside, the A-Class displays all the major attributes of a Mercedes-Benz: efficient use of space, high levels of safety, unrivalled variability and quality right down to the last detail.

Experience everything that makes a Mercedes-Benz special - experience the A-Class.





The essence of driving

Reliability par excellence

Precision-engineered quality

The art of engineering reaches its pinnacle when the gap between rationality and seduction is bridged. When outstanding practicality goes hand in hand with aesthetic pleasure. The one-box concept that forms the basis of the A-Class, including a raised seat position and a large, versatile interior as well as compact exterior dimensions, sets the standard in this segment.

The dynamic design gives the A-Class a longer and wider presence. The powerful overall impression is further reinforced by the distinctive bumpers and the large exterior mirrors painted in the vehicle colour. A radiator grille with a pronounced V-shape and the sweeping form of the drop-shaped clear-glass headlamps add to the sporty aura and send out a clear message: the A-Class is ready. Are you?







Extremely easy on the eye

The exclusive design of the A-Class

A strong silhouette: from the sharply rising front section and the dynamic curve of the roof to the steep angle of the tailgate – the A-Class boasts a striking and unmistakable profile. The short aerial and the exterior mirrors and door handles painted in the vehicle colour are designed for maximum appeal. Viewed from any angle, the interplay between the softly undulating surfaces and sharp edges stirs the emotions.

When viewed from the rear, too, the A-Class displays all that is good about sophisticated automotive design. Thanks to the flat tail lights and distinctive bumper, the car adopts a wide, confident stance on the road, poised to spring into action at any moment. Indulge yourself in sheer driving pleasure. All you have to do is turn the key.



Opt for greater freedom of choice

The variation options

When it comes to what you want, you know best. That's why the A-Class always gives you the final say. So you always get what you want. Regardless of which line you choose, an extensive range of standard equipment – including air conditioning, power windows and a multifunction steering wheel – is always on board.

Whether it be the comfort-oriented standard version, the stylish ELEGANCE line or the sporty AVANTGARDE line, the A-Class gives you everything. Apart from compromises.





An investment in your future. And everybody else's

The A-Class: everything a car of today should be

The A-Class succeeds in reconciling attributes that, on the face of it, seem to contradict each other. Despite the compact exterior dimensions, the interior is very spacious, while the safety and comfort levels set new standards in the compact class. Those who drive it not only demonstrate a highly discerning nature when it comes to choosing a car. They also display environmental awareness. That's because the A-Class is made from recyclable materials such as steel, light alloy and plastic, while the seats contain renewable raw materials like coconut fibres. Numerous measures have been implemented to drastically reduce emissions during production. State-of-the-art, fuel-saving engines with lower CO₂ emissions and the standard-fit ECO start/stop function for the A 160 BlueEFFICIENCY and A 180 BlueEFFICIENCY models also play a key role in protecting the environment. All A-Class models have received the TÜV SÜD¹ Environmental Certificate.

¹ South German Technical Inspection Authority – TÜV SÜD Management Service GmbH, Munich





BlueEFFICIENCY – fast forward to tomorrow

We are quicker at getting environmentally friendly future technologies to where it matters most: on the road. As the inventor of the motor car, Mercedes-Benz has a special responsibility – one we have undertaken with all our might for many years. By the end of 2011, we will be able to offer you 128 models with BlueEFFICIENCY technologies, all of which help you reduce your impact on the environment – without compromising on safety, comfort and driving enjoyment.

Our BlueEFFICIENCY concept comprises innovations for efficient mobility as well as optimised processes all the way along the value chain. They involve different approaches, but they all have a common goal: to make your individual mobility as sustainable as possible.

The BlueEFFICIENCY measures – the Mercedes-Benz efficiency package. This package consists of comprehensive vehicle optimisations designed to save fuel and ease the burden on the environment. Each model combines the most

efficient engine with latest-generation aerodynamic and energy-management measures to minimise fuel consumption. Such measures include intelligently controlled ancillaries, tyres with optimised rolling resistance, lightweight components and the ECO start/stop function, which is being made available for an increasing number of models. The new BlueDIRECT V6 and V8 petrol engines, which feature in several model series, deliver a much higher power output while reducing fuel consumption by up to 24%.

BlueTEC – the clean diesel. Mercedes-Benz has brought to market BlueTEC technology for diesel engines based on common-rail direct injection (CDI). A modular emission-control system makes BlueTEC an exceptionally clean diesel technology, as not only does it remove up to 95% of the particulate matter from the exhaust gases, it also reduces nitrogen oxides by up to 90%. What remains is mainly water, nitrogen and the satisfying feeling of having helped to ease the burden on the environment.

HYBRID – petrol and electric drives intelligently combined. A well-established team makes a lot of things easier – as shown by HYBRID technology. Here the electric motor is used for the recuperation of kinetic energy. This energy is stored in the battery and returned to the electric drive when needed, which assists the petrol engine when the car is accelerating. What's more, the ECU shuts off the petrol engine when the speed is below 15 km/h. In this way, a HYBRID can reduce fuel consumption by up to 20%. So it looks after the environment as well as your bank balance. Perfect teamwork, you might say.



The BlueEFFICIENCY measures bring about a substantial reduction in fuel consumption and CO₂ emissions



BlueTEC HYBRID – clean diesel combined with electric drive. It marries the benefits of the HYBRID with those of BlueTEC: during braking, the kinetic energy is converted into electrical energy, which can be re-used when required. At the same time, the BlueTEC technology cleans exhaust gases and removes many of the pollutants. All of which makes the economical diesel power-plant even more efficient, agile and clean.



We are using **BlueTEC HYBRID technology** to develop a diesel hybrid based on the E-Class

Innovative drive systems that break new ground: E-CELL and F-CELL. Mercedes-Benz has developed two locally emission-free drive systems known as the E-CELL and F-CELL. The B-Class F-CELL is already being produced on a small scale and has been displaying its everyday practicality on Germany's roads since mid-2010. It uses hydrogen to produce power for the electric motor in a fuel cell. The first vehicles from a small series of the A-Class E-CELL – which features an electric motor that draws its energy from two lithium-ion batteries, giving it an average range of more than 200 km – began rolling off the production



The A-Class **E-CELL** allows locally emission-free driving with a battery-powered electric motor

line at the end of 2010. An E-CELL PLUS is also scheduled for release, which will include a small internal combustion engine combined with a generator to increase the range of the electric vehicle.

But that is not all: under the banner “Design for Environment”, we also look at a vehicle's entire lifecycle and work hard to preserve the environment from the planning stage right through to recycling. The same applies to the building and running of new plants. In addition, we are heavily involved in the development of alternative fuels and carry out research in the field of bionics. In short, BlueEFFICIENCY is good news for both you and the environment.

Further information about our comprehensive measures can be found at:

www.mercedes-benz.com/blueefficiency



Cut fuel consumption, keep the power

The A-Class BlueEFFICIENCY

Mercedes-Benz has developed the A-Class A 160 BlueEFFICIENCY, A 160 CDI BlueEFFICIENCY and A 180 BlueEFFICIENCY models to minimise energy consumption. This is precisely what BlueEFFICIENCY stands for.

This concept comprises numerous vehicle-optimisation measures such as tyres with low rolling resistance, intelligent alternator management and an energy-efficient steering system. These measures help to reduce fuel consumption in the A 160 CDI BlueEFFICIENCY with manual transmission down to 4.5 litres per 100 kilometres (CO₂ emissions: 118–125 g/km). As does another key component of the BlueEFFICIENCY system: the ECO start/stop function for petrol engines allows you to save fuel when the car stops at traffic lights or is stuck in traffic, further easing the burden on the environment. This function detects when the engine is not needed and switches it off automatically. The engine starts again – so quickly and

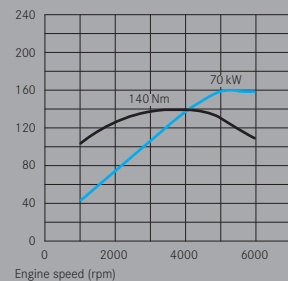
quietly that you hardly notice it – as soon as the clutch is depressed fully.

The A-Class E-CELL allows locally emission-free driving: it is the first Mercedes-Benz battery-electric vehicle to enter small series production.

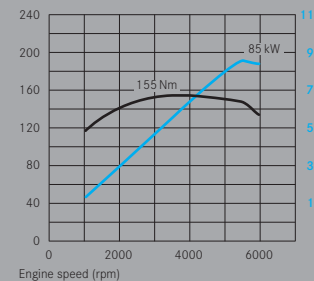


Numerous efficiency-enhancing measures in the BlueEFFICIENCY models ensure reduced fuel consumption and lower CO₂ emissions

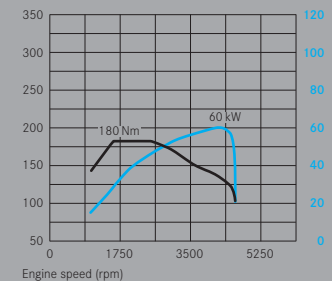
A 160 BlueEFFICIENCY



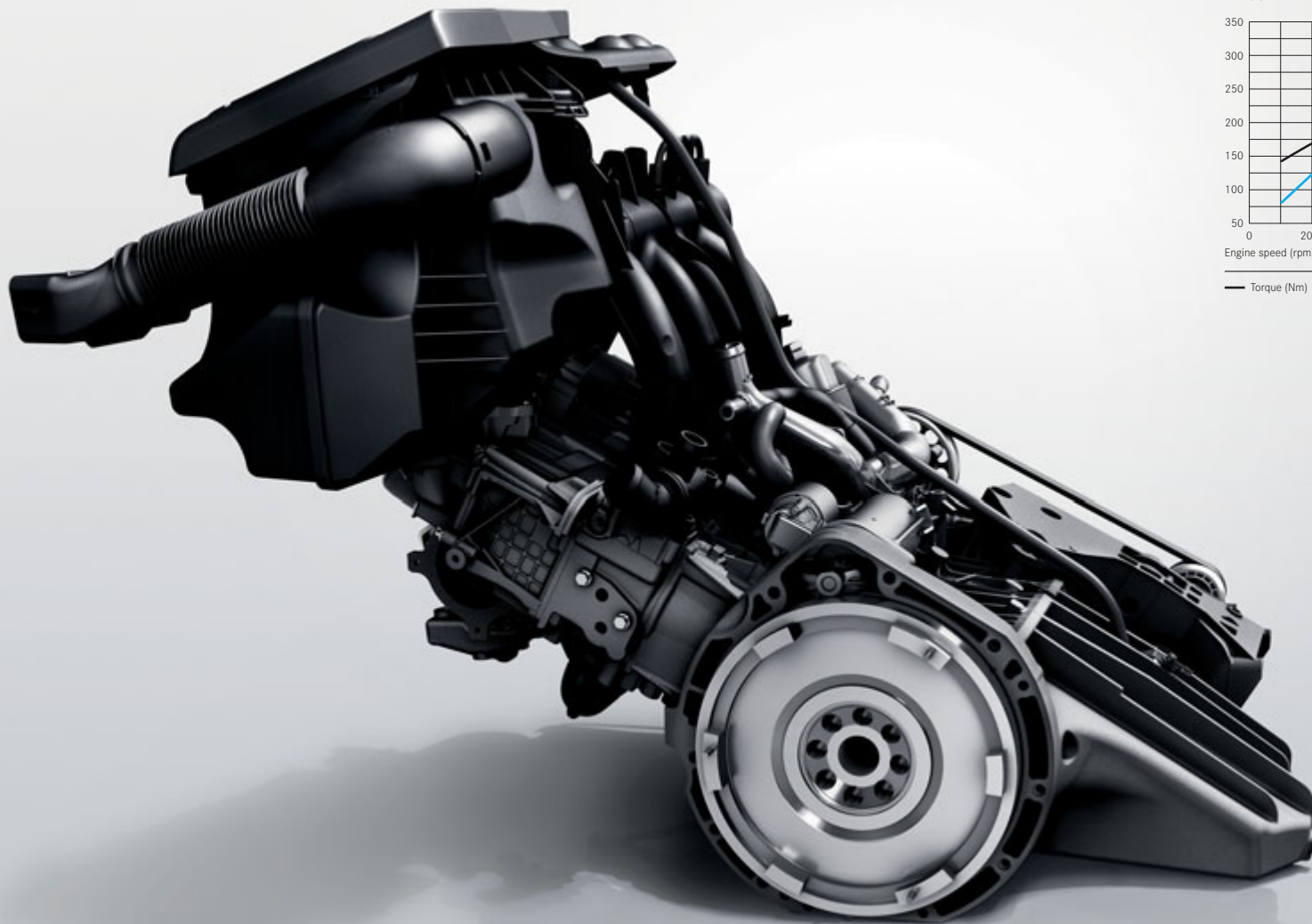
A 180 BlueEFFICIENCY



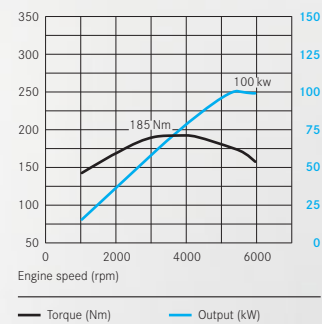
A 160 CDI BlueEFFICIENCY



— Torque (Nm) — Output (kW)



A 200



Our engineers have invested a lot of energy. So you need less fuel

High on agility, low on consumption: the petrol engines

All of the A-Class engines have been attuned to the compact vehicle form. Not least in the A 200, with its peak torque of 185 Nm at 3500 to 4000 rpm. When the accelerator is pressed, this engine develops a hefty 100 kW.

The A 180 is similarly impressive, drawing on its output of 85 kW and 155 Nm at 3500 to 4000 rpm to make highly agile progress. The A 160 BlueEFFICIENCY and the A 180 BlueEFFICIENCY likewise help to keep consumption figures down

thanks to low friction losses in the engine, a high compression ratio and numerous vehicle-optimisation measures.



With power comes responsibility

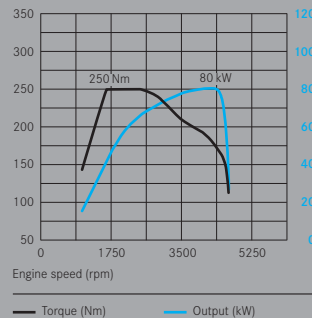
More agile and kinder to the environment: the diesel engines

Preserving the environment is one of our top priorities. This is why our engineers work tirelessly to further improve our already efficient diesel engines – to keep on reducing fuel consumption in order to help preserve the environment. There are several A-Class diesel models to choose from: the A 160 CDI BlueEFFICIENCY developing 60 kW, the A 180 CDI developing 80 kW and the A 200 CDI developing 103 kW. A particulate filter which reduces particulate emissions by up to 95% is standard for all the diesel engines.

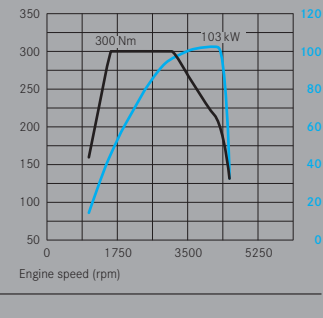
The A 160 CDI with the AUTOTRONIC continuously variable automatic transmission impresses with excellent figures not only for fuel consumption but also for exhaust and noise emissions. This model's fuel consumption of 5.4 to 5.8 litres per 100 kilometres represents a CO₂ level of 142 to 154 g/km – an outstandingly low figure for a vehicle with an automatic transmission. A-Class models with manual

transmissions are especially fuel-efficient, with the A 200 CDI using only a very thrifty 5.1 to 5.3 litres combined per 100 kilometres, yet still developing 103 kW and a powerful 300 Nm of torque.

A 180 CDI



A 200 CDI





We don't like to interrupt

Sophisticated transmission technology for faster gear changes

As a driver, do you prefer sporty performance or relaxed cruising? Or is it a case of sometimes one, sometimes the other? Whichever driving style you prefer, the A-Class offers smooth and easy gear changes. Standard equipment for the A 160 BlueEFFICIENCY, A 180 BlueEFFICIENCY, A 200 and A 160 CDI BlueEFFICIENCY models includes a 5-speed transmission that has been specially optimised for the engines, while the

6-speed manual transmission fitted as standard in the A 180 CDI and A 200 CDI models ensures agile driving pleasure in every rpm range. For even easier shifts, the AUTOTRONIC continuously variable transmission, available as an optional extra, recognises your personal driving style and adjusts the engine speed accordingly. Thanks to the infinitely variable transmission ratio, you accelerate without any interruption in tractive

power, meaning that the engine can send its power to the front wheels continuously and, therefore, operate in the optimum range at all times. Things get decidedly sporty when manual mode is selected, since you can then change between seven virtual gears by simply nudging the selector lever.







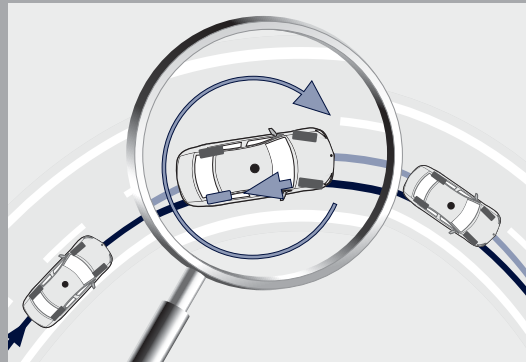
Many believe in guardian angels. We believe in sophisticated safety technology

Active safety technology

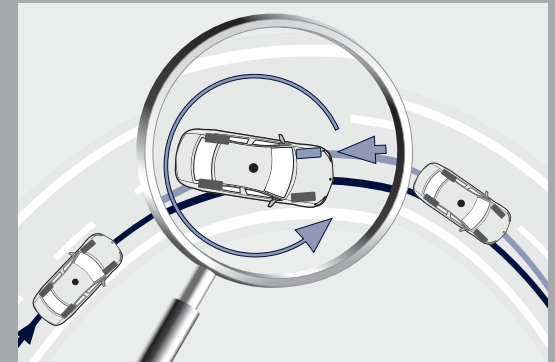
Our aim is to make sure that you arrive at your destination safe and sound. This is why our engineers work tirelessly to make the A-Class even safer than it already is. Despite its compact exterior dimensions, it is packed with the latest safety technology from Mercedes-Benz. Numerous active safety systems – for example, the Electronic Stability Program ESP® and acceleration skid control ASR – help you to remain in better control right from the start in dangerous driving situations. If you brake quickly but not heavily enough in an emergency, Brake Assist (BAS) helps to build up the maximum braking pressure. Yet even when the full braking power is applied, the wheels do not lock up, since the familiar anti-lock braking system (ABS) meters the braking power precisely, meaning that the car remains steerable. Plus the A-Class features

adaptive brake lights as standard: in the event of an emergency stop when travelling at over 50 km/h, the brake lamps start flashing several times a second so as to warn any vehicles behind, thus potentially shortening their stopping distance decisively. If the A-Class is braked to

a halt from a speed of 70 km/h or more, the hazard warning lights are switched on automatically, giving you an extra level of protection.



ESP® | Brake actuation in the event of understeer



ESP® | Brake actuation in the event of oversteer

Superb protection you can count on. From the moment you take your seat in the A-Class

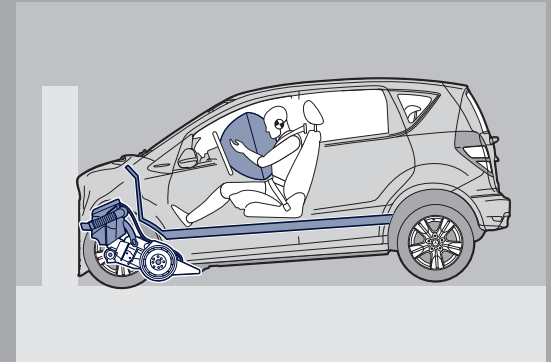
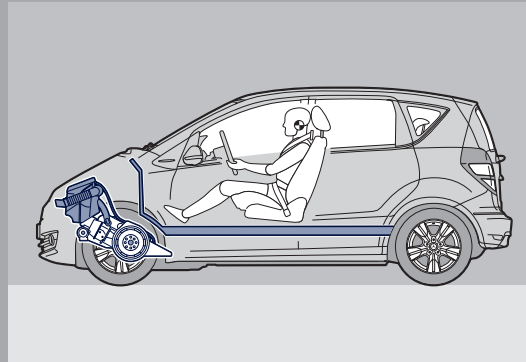
Passive safety technology

Even in an emergency, you can count on the A-Class, of course. Its high level of safety is partly down to its form: in the event of a frontal impact, the engine and transmission slide along the inclined pedal floor and under the passenger compartment. This intelligent form of crumple zone can reduce the risk of occupant injury substantially.

If there is a rear impact, the front head restraints are activated and can help prevent whiplash injuries. Here the distance between the occupant's head and the head restraint is shortened in order to reduce whiplash of the head. Further standard equipment includes crash-responsive emergency

lighting: when pyrotechnic restraint systems (e.g. airbags or belt tensioners) are deployed in the event of an accident, the interior lighting is activated if the interior lighting system is set to

automatic. If the optional Light and Sight package is fitted, the footwell lighting is also switched on to assist you in finding your way around more easily in an emergency.







We wish you a pleasant stay

Interior design

Regardless of where you sit, you're sure to find your favourite seat as the A-Class provides plenty of room to relax for all those on board. The large windows all round allow light to flood into the interior, while the optionally available panoramic louvred sliding sunroof opens up the view of the sky above. A wealth of comfort and convenience features combine to help ensure that you arrive at your destination feeling relaxed, even after a long drive. Standard equipment includes air conditioning and an on-board computer as well as a multifunction steering wheel and Hill-Start Assist. The four clearly arranged dial-type instruments in the high-quality cockpit are ideally positioned within the driver's field of vision. Ergonomically designed seats help relieve the strain on the spinal column and prevent drowsiness. In addition to all of this, the high-grade materials used in the A-Class provide a level of comfort that one would expect of a Mercedes-Benz.

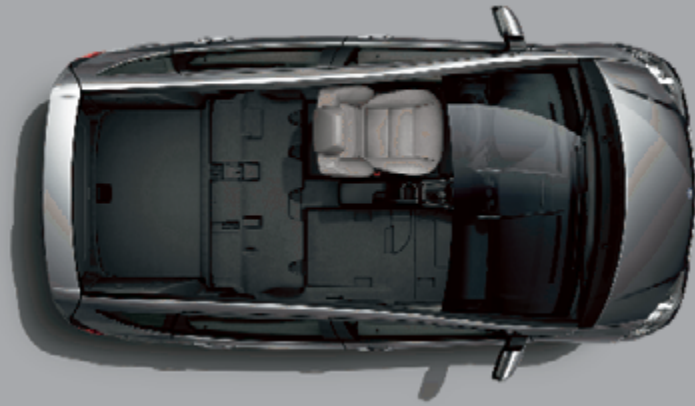
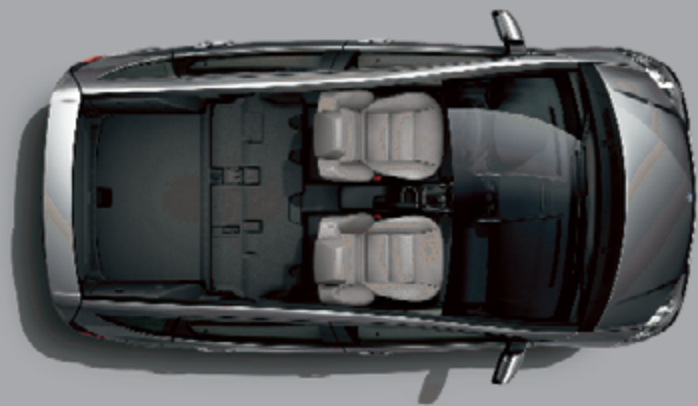
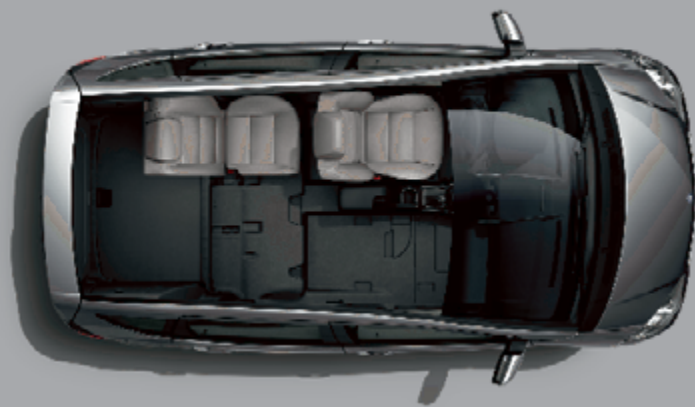


Plans change. But we've even planned for this

Room for ideas: EASY-VARIO system and EASY-VARIO-PLUS system

Variability is a constant in the A-Class. Should you require a completely flat load space with no boot sill to get in the way, the standard-fit EASY-VARIO system allows you to simply raise the cushions of the rear seats, fold the backrests forwards and move the height-adjustable load compartment floor into its higher position. The 1 : 2 split-folding rear seats are standard, so you can fold down the right-hand section of the rear-seat unit and still carry a rear passenger on the

left, for example. If you need more space, the optional EASY-VARIO-PLUS system lets you remove the rear seats and front passenger seat entirely, giving you up to 1995 litres of load capacity. And even if you don't use any of the numerous conversion or removal options, there is still enough room for five people, four suitcases, a sports bag and a beauty case.







My A-Class



Standard equipment for the A-Class

The A-Class offers you that all-important extra degree of comfort and refinement as standard. The bumpers and the housings for the larger exterior mirrors painted in the vehicle colour enhance both style and sophistication, as do the door handles, which are likewise painted in the vehicle colour. At the front end, the radiator louvres painted in dark grey and the attractive clear-glass reflectors add further touches of refinement, while wheel trims featuring a 7-hole design or optional 7-spoke light-alloy wheels round off the classic appearance perfectly.

Moving inside, the high-gloss black trim contrasts well with the seat upholstery, which is available in a choice of Mechelen or Namur fabric. The power windows, including one-touch up and down control for the front windows as standard, can be fully opened or closed automatically at the brief press of a button. Plus many of the functions can be controlled conveniently and easily from the multi-function steering wheel.





ELEGANCE

The ELEGANCE line displays its exclusivity with chrome trim strips all round, chrome-surround fog lamps and a chrome-trimmed tailgate handle. The impressive front end features atlas grey radiator louvres with chrome edging, while the rear end positively shines with a polished stainless-steel tailpipe trim. The stylish appearance is completed by elegant 10-twin-spoke light-alloy wheels.

The exterior appearance corresponds harmoniously with the high-quality interior. The elegant myrtle wood trim highlights the exclusive standard of the line as does the combination of Bastogne fabric and ARTICO man-made leather. This is complemented to perfection by the high-quality leather trim on the steering wheel, handbrake lever and gearshift lever. There is also a highly useful addition in the form of the practical armrest with a stowage compartment between the front seats, while the standard-fit Seat Comfort package comprises height adjustment for the front passenger seat as well as seat cushion adjustment and lumbar support for both front seats.





AVANTGARDE

The AVANTGARDE line is proud to display its sporty credentials and is clearly distinguishable by the more pronounced V-shape of the bumper fascia and the iridium silver radiator louvres. Bumpers painted in the vehicle colour are the perfect complement to the chrome trim all around the body, which provides a stylish finishing touch. The front fog lamps also blend in harmoniously with the overall design. At the rear end, the oval exhaust tailpipe with polished stainless-steel trim draws the design to an impressive conclusion, while the light-alloy wheels feature a powerful 5-spoke design to emphasise the dynamism of the AVANTGARDE line.

Inside, the diagonally brushed, smoke silver-coloured aluminium trim creates a sporty atmosphere. This is complemented by the combination of Bastogne fabric and ARTICO man-made leather upholstery and by high-grade leather on the steering wheel, handbrake lever and gearshift lever. In the AVANTGARDE line, you can enjoy the benefits of the standard-fit Seat Comfort package. The additional height adjustment function for the front passenger seat together with seat cushion adjustment and lumbar supports for both front seats help make even long journeys seem agreeably short.



Especially special

The Comfort package

Congratulations – if you're looking for that extra-special something, you've just found it: the Comfort package for the ELEGANCE and AVANTGARDE lines, brimming with first-class equipment features for truly comfort-oriented driving. Once inside, you are welcomed by high-grade

leather upholstery plus heated front seats. Attributes that will be appreciated on longer trips especially include the electrical adjustment of the seat cushion height and angle as well as the backrest angle and electrical fore/aft adjustment of the front seats.







Sports gear for your A-Class

The Sports package

Sport is good for the appearance. And there is no better proof of this than the optional Sports package for the A-Class. The instrument cluster with white dials stands out impressively against the silver-coloured backplate and is complemented by a shift or selector lever with leather and aluminium highlights. The sporty look and feel also extend to the easy-grip sports steering wheel with leather trim and the studded pedals in brushed stainless steel, not to mention the sports seats upholstered in ARTICO man-made leather and Zandvoort fabric.

On the outside, the oval stainless-steel exhaust tailpipe, the powerful 7-spoke light-alloy wheels and the radiator louvres in iridium silver metallic with chrome trim are impressive additions. But as well as adding muscle on a visual level, the Sports package also makes for more dynamic, agile cornering thanks to the stiffer, lowered sports suspension.



It's good to let go once in a while. But better if you don't have to

Multifunction steering wheel and ISOFIX child seat attachment points

Your safety matters a great deal to us. This is why we have developed a steering wheel that enables you to keep your hands on the wheel. All the important information and functions you need when on the road are accessible using control buttons. The multifunction steering wheel, fitted as standard, allows you to adjust the volume of the optional audio equipment and operate telephone functions, for example. Further controls let you call up information on the instrument cluster or change settings. Through all of this, your attention remains focused where it should be – on the road.

To maximise child safety, the A-Class has ISOFIX child seat attachment points fitted as standard on the outer seats in the rear. This standardised system makes it easier to fit child seats and hence reduces the risk of incorrect installation. Thanks to the rigid connection between the child seat and the vehicle body, ISOFIX helps to reduce the risk of injury in an accident. A further benefit in terms of child safety is the fact that the seat belt does not need to be tensioned first in the event of an emergency stop or an impact. The special design means that the seat decelerates along with the vehicle, so no valuable time is lost.



ISOFIX child seat attachment points in the rear with Top Tether provide a high level of protection for your child thanks to the rigid connection between child seat and vehicle



Longer than most wish lists: the standard equipment for the A-Class

From air conditioning to power windows and the multifunction steering wheel - thanks to the extensive range of standard equipment available for the A-Class, you barely need to lift a finger at all



The air conditioning creates a feeling of wellbeing on board



Adaptive brake lights issue a clear warning to traffic during an emergency stop

STANDARD EQUIPMENT (SELECTION)

5-speed manual transmission¹ or 6-speed manual transmission²

Active front head restraints adjustable for height and angle,
3 rear head restraints adjustable for height and angle and retractable

Adaptive brake lights

Adaptive front airbags and head/thorax sidebags
(backrest-mounted sidebags for additional head protection) for driver and front passenger

Air conditioning system

ASSYST service interval indicator

AUTOTRONIC³ (continuously variable automatic transmission)

Boot lighting and additional ambient lamp and signal light in the tailgate

Bottle holders in doors, cup holders in centre console

Brake Assist (BAS)

Clear-lens reflector-type headlamps

Electronic Stability Program ESP®, incl. ABS and ASR

Headlamp Assist (automatic headlamp activation)

Heated exterior mirrors, electrically adjustable from inside the vehicle,
with aspherically curved mirror glass

Heated rear window with time relay

Height-adjustable driver's seat

Height-adjustable steering column

Hill-Start Assist

ISOFIX child seat attachment points in rear with Top Tether

Multifunction steering wheel and on-board computer with current fuel-consumption display

Power windows at the front (2) with one-touch up and down control

Rear window wiper with intermittent wipe setting and one-touch control

Retractable luggage compartment cover

Speed-sensitive power steering and steering assistance system

Split-folding rear bench seat (1/3 : 2/3), 2/3 rear seat cushion removable

Tinted windows all round

Two-tier load compartment floor, with underfloor stowage compartment

Tyre pressure loss warning system

Warning triangle, TIREFIT with electric air pump

¹ Standard equipment for A 160 BlueEFFICIENCY, A 180 BlueEFFICIENCY, A 200 and A 160 CDI BlueEFFICIENCY

² Standard equipment for A 180 CDI and A 200 CDI

³ Standard equipment for A 160 CDI, A 160 and A 180



The A-Class is a willing helper. Especially when you need to park

Active Parking Assist. With integrated PARKTRONIC

It's good to let someone else do the work. Like when the Active Parking Assist system intervenes. It complements the proven PARKTRONIC system since, as well as telling you how much space there is behind or in front of the car, it has ultrasonic sensors that detect whether your car will fit into a parking space as you are driving past it. As soon as you then engage reverse gear and confirm your wish to park, all you need to do is dab the accelerator and brake. The system turns the steering wheel automatically, parking the car parallel to the direction of travel in just a few moves. Needless to say, you remain in control throughout the entire process.



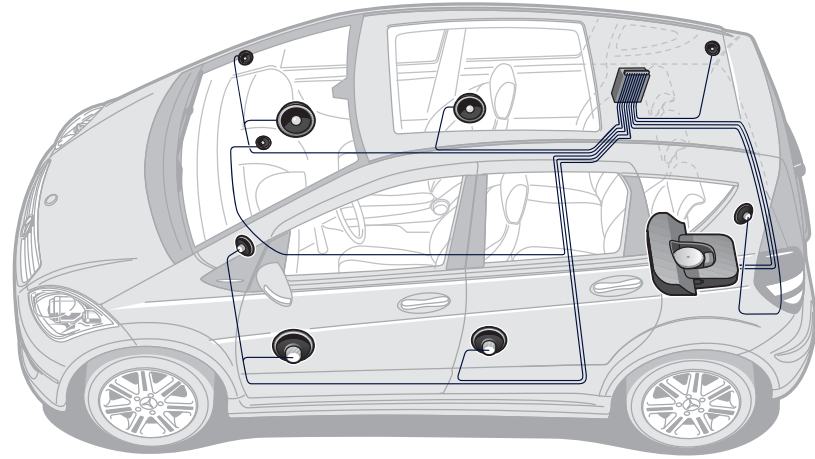
The distance sensors in the front and rear bumper monitor the parking process



The display in the instrument cluster gives you a clear picture of what is happening at all times

Sounds good

Audio and communication systems



One of the highlights in the A-Class is the COMAND APS multimedia system. Its intuitive control structure and functions make it easy to operate the DVD player's audio and video functions or the hard-disc navigation system (APS). The package includes three years of free map updates (vehicle-specific, from day of first registration). All the most important messages and information appear on the 16.5 cm colour display. Both COMAND APS and Audio 50 APS feature a radio

and a DVD drive. The LINGUATRONIC¹ voice-operated control system offers useful functions and exceptional ease of operation. The audio systems include an integral CD player, MP3/WMA function and an Aux-in socket in the glove compartment. And phoning is made easy courtesy of the mobile phone pre-installation with a Bluetooth[®] interface (available for Audio 20 CD upwards). The audio systems can also be combined with the optional Harman Kardon[®] Logic 7[®] surround

sound system. The twelve high-performance loudspeakers are adapted to suit the special characteristics of the car and deliver highly impressive acoustic performance. Together with a subwoofer and the 450-watt DSP amplifier, they provide superb stereo and Dolby 5.1² surround sound.

¹ Standard in conjunction with COMAND APS and Audio 50 APS with DVD changer

² Only in conjunction with COMAND APS

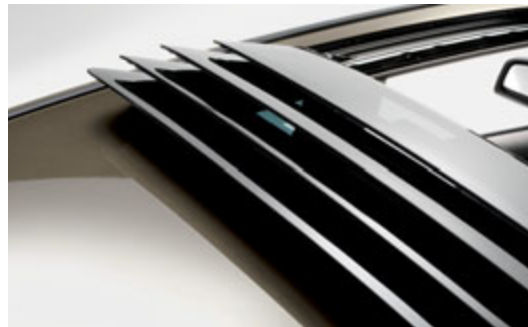


Open up to the world

The panoramic louvred sliding sunroof and panoramic roof

A ray of sunlight travels around 100 million miles before reaching our planet. So it deserves a fitting welcome. Luckily the optional panoramic louvred sunroof for the A-Class is on hand. A touch of a button is all it takes to bring heaven a little closer and make you forget about the everyday routine. Firstly, the foremost louvre of the panoramic louvred sunroof rotates into the ventilation position. Then the roof opens as much as you want it to – which is much further than most conventional sunroofs. But even when closed, the scratch-resistant, transparent surface allows light to flood into the interior. Plus, if you have had enough light for one day, the

manually operated twin roller blind system comes into play. It protects you from the sun when closed and acts as a wind deflector when



The panoramic louvred sliding sunroof is your gateway to the sky

open. A panoramic roof is also available as an optional extra.



The panoramic roof lets in plenty of light



Special requests are our speciality

Optional extras



Audio 50 APS for the best in entertainment and navigation



THERMOTRONIC for a pleasant travelling climate



Multicontour seat for maximum comfort on long-distance journeys



Bi-xenon headlamps/cornering light function for optimum visibility

Choose from a wide range of equipment options and transform the A-Class into your own personal dream car. Opt for the Audio 50 APS car radio with an integral DVD player for MP3/WMA playback, DVD navigation system and Bluetooth® interface, for example. Meanwhile a pleasant climate is maintained by the THERMOTRONIC automatic climate control, which allows the temperature on the driver's side and front-passenger side to be controlled separately. Then there is the multicontour seat: as well as offering firm support for those who like to drive dynamically, it adjusts precisely to the occupant's anatomy or individual comfort requirements thanks to its adaptive air chambers. Finally, bi-xenon headlamps with a special cornering light function provide a high degree of safety and visibility.

OPTIONAL EXTRAS (SELECTION)

Active Parking Assist, incl. PARKTRONIC function

Audio 50 APS: DVD arrow-based navigation with map display in junction area, Bluetooth® interface, DVD player with MP3 and WMA playback

Automatic child seat recognition in front-passenger seat, for Mercedes-Benz-approved child seats with transponder

AUTOTRONIC transmission incl. cruise control with SPEEDTRONIC

Bi-xenon headlamps with headlamp cleaning system and cornering light function

COMAND APS multimedia system with map-based hard-disc navigation, DVD video, MUSIC REGISTER, LINGUATRONIC, SD memory card reader, Bluetooth® interface, Dolby 5.1

Comfort package for ELEGANCE and AVANTGARDE (leather appointments, electrically adjustable and heated front seats)

Convenience Telephony for a range of mobile-phone cradles in centre console/armrest, incl. hands-free system, operation via multifunction steering wheel, aerial amplifier and GSM wiring

Cruise control with SPEEDTRONIC

EASY-VARIO-PLUS system: removable rear seat cushion (1/3 section) and backrests (1/3 and 2/3 sections), removable front-passenger seat with forward-folding backrest

Electrically folding exterior mirrors

Front sports seats (in conjunction with Sports package)

Harman Kardon® Logic 7® surround sound system

Heated front seats

Light and Sight package: interior mirror with automatic dimming function, rain sensor, headlamp switch-off delay, locator lighting, reading light for driver, reading light in rear, illuminated vanity mirror, footwell lights

Loudspeaker system with central speaker and woofer

Panoramic louvred sliding sunroof

Panoramic sunroof

Rear power windows, one-touch up/down control

Seat Comfort package: height-adjustable front-passenger seat, seat cushion adjustment and lumbar support for driver and passenger (standard equipment for ELEGANCE and AVANTGARDE lines)

Sidebags in rear

Sports suspension

THERMOTRONIC automatic climate control

Windowbags

Highlights from the bottom up

Light-alloy wheels

Whereas the standard-specification A-Class features 7-hole wheel trims, the ELEGANCE and AVANTGARDE lines are factory-fitted with stylish 10-twin-spoke wheels and exceptionally sporty 5-spoke wheels respectively.

Optional extras available for all lines include 6- or 7-spoke light-alloy wheels, while the optional Sports package features exclusive 7-spoke light-alloy wheels. Optional 5-spoke AMG light-alloy wheels in titanium silver likewise add a glittering final touch.



Steel wheels with wheel trim in 7-hole design with 185/65 R 15 tyres (standard equipment)



10-twin-spoke light-alloy wheels with 195/55 R 16 tyres (ELEGANCE)



5-spoke light-alloy wheels with 195/55 R 16 tyres (AVANTGARDE)



7-spoke light-alloy wheels with 195/55 R 16 tyres (optional)



Bicolor light-alloy wheels in 10-spoke turbine design with 195/55 R 16 tyres (optional)



7-spoke light-alloy wheels with 215/45 R 17 tyres (Sports package)



9-spoke light-alloy wheels¹ for 195/55 R 16 tyres (genuine accessories)



6-spoke light-alloy wheels with 215/45 R 17 tyres (optional)



5-spoke light-alloy wheels with 215/40 R 18 tyres (AMG)



incenio "Asaramas" 5-spoke light-alloy wheels¹ for 215/45 R 17 tyres (genuine accessories)

¹ Light-alloy wheels available as accessories are supplied without tyres



Send your senses on a voyage of discovery

designo

When it comes to questions of taste, designo appointments have the perfect answer. With materials that make every touch a caress. And design elements that hold your gaze. For the seats, the design specialists at designo have created four high-grade leather/Alcantara® combinations. Additional touches are provided by poplar wood trim in designo anthracite in combination with high-quality piano lacquer and the

designo wood/leather gearshift lever. The interior appointments are rounded off by the front armrest upholstered in black designo leather and the high-grade velour floor mats trimmed in black designo leather.

Further designo appointments and information can be found at www.mercedes-benz.com/designo



What goes best with a Mercedes-Benz?

Genuine accessories

Even though the A-Class vehicle concept is complete, the wide range of accessories available from Mercedes-Benz gives you plenty of ideas for tailoring the A-Class to your precise needs. Such as the Mercedes-Benz 330 and 450 roof boxes, which can be easily loaded and unloaded from both sides and complemented with an optional made-to-measure luggage set or a ski rack attachment. The lockable tailgate-mounted rack¹ for one or two bicycles, developed specifically for



the A-Class, is likewise practical and easy to use. The Convenience Telephony package allows you to use your mobile phone with the hands-free system in the A-Class. Suitable cradles are available for numerous mobile phone models (Nokia, Sony Ericsson, Apple and BlackBerry) and can be exchanged in one, simple move. So it's easily possible to alternate between several mobile phones. Operate the telephone using the buttons on the multifunction steering wheel and view



telephone status and call information on the central multifunction display – everything works just the way you're used to. Details of further useful accessories can be found in the separately available accessories brochure. Or ask your Mercedes-Benz dealer, who will be glad to help.

¹ Cannot be fitted in combination with the roof spoiler







Anyone opting for a Mercedes buys far more than just a car

Mercedes-Benz Museum. 125 years of automotive history in one place – this is what awaits you at the Mercedes-Benz Museum in Stuttgart. Experience the unique excitement, and embark upon a thrilling journey through time. Housed inside an architecturally impressive building, over 1500 exhibits on nine levels give you an insight into the unique tradition and powers of innovation of the Mercedes-Benz brand. See the world's first two automobiles in the shape of the Benz Patent-Motorwagen (motor car) and the Daimler motorised carriage – both from the year 1886. Two linked circuits take you from the beginnings of the automobile, past a series of unforgettable classics and on to a glimpse of what the future holds – in an area covering a total of 16,500 square metres. Enjoy the unique brand experience. We look forward to your visit. Further details can be found at www.mercedes-benz-classic.com/museum

MercedesCard. The card is your ticket to the Mercedes-Benz experience. Four times a year, we will send you the Mercedes Magazine, featuring fascinating reports from the world of Mercedes-Benz and articles about our latest vehicles. A MercedesCard also has many other uses too. As a VISA credit card, it is an internationally accepted means of payment. Further benefits are available to provide you with peace of mind, such as insurance packages for your Mercedes and other insurance services for the whole family. You also get free entry to the Mercedes-Benz Museum simply by showing your VISA MercedesCard. Further details can be found at www.mercedes-benz.de/mercedescard¹

Mercedes-Benz Financial Services. Mercedes-Benz stands for quality, innovation and safety – and the same applies to Mercedes-Benz Financial Services. Our innovative leasing and financing products are tailored to your financial needs and means, making it easy for you to secure the keys to your dream car. Once you are on the road, our insurance products offer you comprehensive protection on every trip. Finally, our service products ensure that your car is always in tip-top condition whilst keeping costs transparent and easily manageable. For a detailed quotation, please contact your Mercedes-Benz dealer, who will be glad to go through the latest financial services and terms and conditions with you.

¹ Information about the MercedesCard in Austria and Switzerland can be found on the Mercedes-Benz websites for these countries



Mercedes-Benz mobility. Your new car comes complete with the promise of feeling safe on the road, but if you should ever need assistance, then Mercedes-Benz Service24h is there to help. Just call the freephone service hotline on 00800 1 777 7777². The newly integrated telematics service, Mercedes-Benz Contact³, is even more customer friendly: a touch of a button is all it takes to contact the Mercedes-Benz customer centre. If you wish, the relevant vehicle and position-related data can be transmitted at the same time, thereby allowing the centre to react quickly and provide rapid on-the-spot assistance. Also standard with your new car at no extra charge is the Mercedes-Benz Mobilo⁴ mobility package. Whether you have lost your key, had a breakdown which cannot be repaired immediately or suffered damage to the vehicle due to an accident or vandalism, Mobilo is there to help you reach your destination – anywhere in Europe. Whatever your problem, one thing is certain: you will soon be able to resume your journey.

Service packages. Vehicle-specific services allow you to put together an individual package for your Mercedes, including long-term protection against unforeseeable repair costs and high-quality servicing with genuine Mercedes-Benz parts. You can also count on the extensive network of Mercedes-Benz workshops, where you will receive the usual high standard of service for your Mercedes at a predictable, fixed price. Please ask your Mercedes-Benz dealer for further details.

Test drive. The unique feeling of driving a Mercedes cannot be put into words. Which is why we'd like to invite you to experience it for yourself. Take a test drive and find out first hand how it feels to drive your dream car. Simply visit www.mercedes-benz.com to locate the nearest Mercedes-Benz dealer in your country or region.

Interactive Owner's Manual. The website also offers an interactive tour, enabling you to take a closer look at your desired model. These informative clips are the ideal way to acquaint yourself with your dream car. You can view key functions in detail, gain an insight into the car's inner workings or look at the benefits of each model. For further details, go to: www.mercedes-benz.de/owners-manual

Mobile internet. Now you can access the entire world of Mercedes-Benz from your mobile phone. As well as an overview of all the passenger car models, there are insights into the entire brand world along with a wealth of entertainment offers and direct links to our range of services at www.mercedes.mobi

² Alternative: +49 69 95 30 72 77

³ Requires a factory-fitted radio, connected to an operational mobile phone

⁴ Once the warranty has expired, Mobilo can be extended in periods of one year for a maximum of 30 years, provided that regular maintenance is carried out by your Mercedes-Benz service partner

Colours and materials

| | NON-METALLIC PAINTS | | | METALLIC PAINTS | | | | |
|---|---------------------|--------------|-------------|-----------------|------------|--------------|--------------|---------------|
| | jupiter red | cirrus white | night black | cosmos black | lotus blue | steppe brown | polar silver | mountain grey |
| FABRIC STANDARD APPOINTMENTS | | | | | | | | |
| black Mechelen | ● | ● | ● | ● | ● | ● | ● | ● |
| orient beige Mechelen | ○ | ○ | ● | ● | △ | ● | △ | △ |
| black/multicolour Namur | ● | ● | ● | ● | ● | ● | ● | ● |
| LEATHER/FABRIC SPORTS SEATS | | | | | | | | |
| black, ARTICO man-made leather/Zandvoort fabric | ● | ● | ● | ● | ● | ● | ● | ● |
| LEATHER/FABRIC ELEGANCE AND AVANTGARDE | | | | | | | | |
| black, ARTICO man-made leather/Bastogne fabric | ● | ● | ● | ● | ● | ● | ● | ● |
| orient beige, ARTICO man-made leather/Bastogne fabric | ○ | ○ | ● | ● | △ | ● | △ | △ |
| alpaca grey, ARTICO man-made leather/Bastogne fabric | ● | ● | ● | ● | ● | △ | ● | ● |
| LEATHER ELEGANCE AND AVANTGARDE | | | | | | | | |
| black | ● | ● | ● | ● | ● | ● | ● | ● |
| orient beige | ○ | ○ | ● | ● | △ | ● | △ | △ |
| alpaca grey | ● | ● | ● | ● | ● | △ | ● | ● |
| designo LEATHER/ALCANTARA® APPOINTMENTS | | | | | | | | |
| designo black | ● | ● | ● | ● | ● | ● | ● | ● |
| designo alpaca grey | ○ | ○ | ● | ● | ● | ○ | ● | ● |
| designo java | △ | ○ | ● | ● | ○ | ● | △ | △ |
| designo imperial red | ○ | ● | ● | ● | △ | △ | ● | ● |

● Recommended

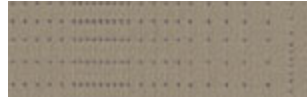
○ Possible

△ Not recommended

MECHELEN FABRIC¹



311 black



315 orient beige

NAMUR FABRIC¹



611 black/multicolour

ARTICO MAN-MADE LEATHER/BASTOGNE FABRIC

ELEGANCE²

AVANTGARDE³



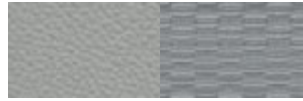
411 black

721 black



415 orient beige

725 orient beige



418 alpaca grey

728 alpaca grey

SPORTS SEATS, ARTICO MAN-MADE LEATHER/ZANDVOORT FABRIC⁴



751 black

LEATHER⁵



801 black



805 orient beige

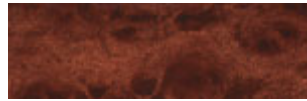


808 alpaca grey

TRIM



High-gloss black plastic¹



High-gloss brown myrtle wood²



Diagonally polished light aluminium³

¹ Standard equipment

² Standard equipment for the ELEGANCE line

³ Standard equipment for the AVANTGARDE line

⁴ Part of the optional Sports package

⁵ Optional extra, only in conjunction with Comfort package

⁶ Included with designo leather/Alcantara® upholstery

designo⁵ TRIM



High-gloss designo anthracite poplar wood⁶

designo⁵ LEATHER/ALCANTARA® APPOINTMENTS



X20 designo black



X90 designo alpaca grey

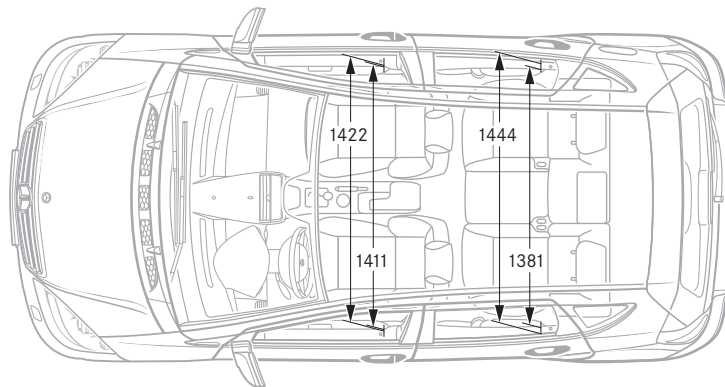
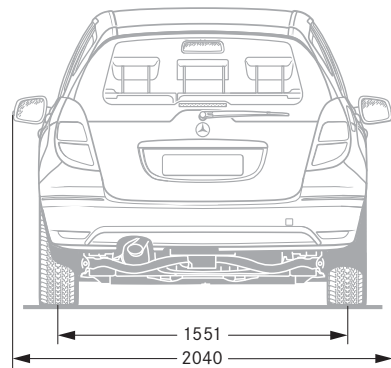
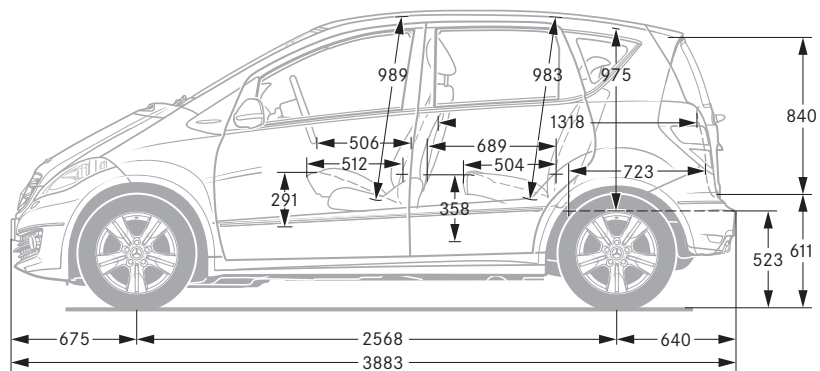
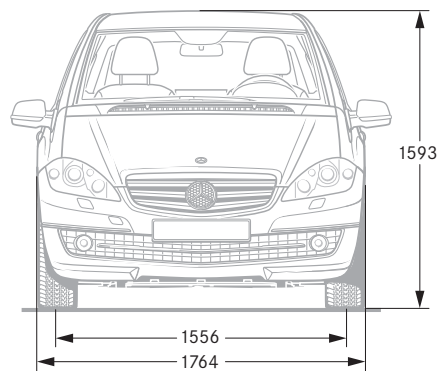


X91 designo java



X93 designo imperial red

Dimensions



All measurements in millimetres. The dimensions shown are mean values and apply to standard-specification, unladen vehicles

| | A 160 CDI BlueEFFICIENCY | A 160 CDI | A 180 CDI | A 200 CDI |
|---|--------------------------|---------------|-------------------|-----------------------|
| No. of cylinders/arrangement | 4/in-line | 4/in-line | 4/in-line | 4/in-line |
| Total displacement (cc) | 1991 | 1991 | 1991 | 1991 |
| Rated output ¹ (kW at rpm) | 60/4200 | 60/4200 | 80/4200 | 103/4200 |
| Rated torque ¹ (Nm at rpm) | 180/1400–2600 | 200/1400–2600 | 250/1600–2600 | 300 (280) / 1600–3000 |
| Compression ratio | 18.0 : 1 | 18.0 : 1 | 18.0 : 1 | 18.0 : 1 |
| Acceleration from 0–100 km/h (s) | 15.0 (-) | - (15.3) | 10.8 (11.1) | 9.5 (9.6) |
| Top speed, approx. (km/h) | 170 (-) | - (165) | 186 (181) | 201 (196) |
| Tyre size | 185/65 R 15 | 185/65 R 15 | 185/65 R 15 | 195/55 R 16 |
| Fuel | Diesel | Diesel | Diesel | Diesel |
| Fuel consumption ² (l/100 km) | | | | |
| Urban | 5.4–5.8 (-) | - (7.0–7.6) | 6.1–6.5 (7.0–7.6) | 6.5–6.6 (6.7–7.9) |
| Extra-urban | 3.9–4.1 (-) | - (4.4–4.9) | 4.2–4.4 (4.4–4.9) | 4.3–4.4 (4.8–5.0) |
| Combined | 4.5–4.7 (-) | - (5.4–5.8) | 4.9–5.2 (5.4–5.8) | 5.1–5.3 (5.5–6.0) |
| CO ₂ emissions ² (g/km), combined | 118–125 (-) | - (142–154) | 128–138 (142–154) | 135–139 (144–159) |
| Emissions standard | Euro 5 (-) | - (Euro 5) | Euro 5 (Euro 5) | Euro 5 (Euro 5) |
| Tank capacity (l)/incl. approx. reserve | 54/6 | 54/6 | 54/6 | 54/6 |
| Kerb weight ³ (kg) | 1325 (-) | - (1370) | 1355 (1380) | 1365 (1395) |
| Perm. GVW (kg) | 1835 | 1835 | 1830 | 1880 |

Figures in brackets refer to models with automatic transmission

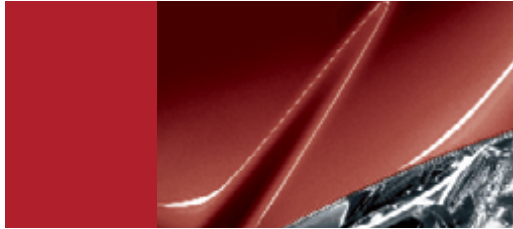
¹ Figures in accordance with Directive 80/1269/EEC in the currently applicable version

² The figures shown were obtained in accordance with the prescribed measuring process (Directive 80/1268/EEC in the currently applicable version).

The figures are not based on an individual model and do not constitute part of the product offer; they are provided solely for purposes of comparison between different vehicle models

| A 160 BlueEFFICIENCY | A 160 | A 180 BlueEFFICIENCY | A 180 | A 200 |
|----------------------|----------------|----------------------|----------------|-------------------|
| 4/in-line | 4/in-line | 4/in-line | 4/in-line | 4/in-line |
| 1498 | 1498 | 1699 | 1699 | 2034 |
| 70/5200 | 70/5200 | 85/5500 | 85/5500 | 100/5500 |
| 140/3500-4000 | 140/3500-4000 | 155/3500-4000 | 155/3500-4000 | 185/3500-4000 |
| 11.0 : 1 | 11.0 : 1 | 11.0 : 1 | 11.0 : 1 | 11.0 : 1 |
| 12.6 (-) | - (13.5) | 10.9 (-) | - (11.5) | 9.8 (9.9) |
| 175 (-) | - (170) | 188 (-) | - (183) | 200 (195) |
| 185/65 R 15 | 185/65 R 15 | 185/65 R 15 | 185/65 R 15 | 195/55 R 16 |
| Premium petrol | Premium petrol | Premium petrol | Premium petrol | Premium petrol |
| 7.5-7.8 (-) | - (8.7-8.9) | 8.1-8.2 (-) | - (8.8-9.2) | 8.7-8.9 (9.8-9.8) |
| 5.1-5.2 (-) | - (5.7-6.2) | 5.2-5.7 (-) | - (5.7-6.2) | 5.6-5.6 (6.1-6.3) |
| 6.0-6.2 (-) | - (6.8-7.2) | 6.3-6.6 (-) | - (6.8-7.3) | 6.7-6.8 (7.4-7.6) |
| 139-143 (-) | - (159-168) | 145-153 (-) | - (159-171) | 156-159 (174-178) |
| Euro 5 (-) | - (Euro 5) | Euro 5 (-) | - (Euro 5) | Euro 5 (Euro 5) |
| 54/6 | 54/6 | 54/6 | 54/6 | 54/6 |
| 1245 (-) | - (1275) | 1260 (-) | - (1279) | 1270 (1315) |
| 1740 | 1740 | 1770 | 1770 | 1765 |

³ Figures according to Directive 92/21/EC, version 95/48/EC (kerb weight with fuel tank 90% full, driver, 68 kg, and luggage, 7 kg) for standard-specification vehicles. Optional extras and accessories will generally increase this figure and reduce the payload capacity accordingly

NON-METALLIC PAINTS¹

589 jupiter red



650 cirrus white



696 night black

METALLIC PAINTS²

191 cosmos black



240 lotus blue



490 steppe brown



761 polar silver



787 mountain grey

¹ Standard equipment. Not available for the ELEGANCE and AVANTGARDE lines² Optional extra

Take-back of end-of-life vehicles. Coming full circle. At the end of its long life, you can return your A-Class to us for environmentally-friendly disposal in accordance with the EU End-Of-Life Vehicle Directive¹. But that day lies a long way off.

¹ Applies in accordance with national regulations to vehicles up to 3.5 tonnes gross weight. Mercedes-Benz passenger cars have met the statutory regulations governing the suitability of their design for reuse and recycling for a number of years now. A network of vehicle take-back depots and dismantlers has been established which will process your vehicle in an environmentally-friendly manner. The ways in which both vehicles and parts can be recovered are subject to ongoing development and improvement. Consequently, the A-Class will be able to comply with any future increases in the recycling quota within the stipulated time limits. For further information: www.mercedes-benz.com

Please note: changes may have been made to the product since this brochure went to press (04.02.2011). The manufacturer reserves the right to make changes to the design, form, colour and specification during the delivery period, provided these changes, while taking into account the interests of the vendor, can be deemed reasonable with respect to the purchaser. Where the vendor or the manufacturer uses symbols or numbers to describe an order or the subject of an order, no rights may be derived solely from these. The illustrations may show accessories and items of optional equipment which are not part of standard specification. Colours may differ slightly from those shown in the brochure, owing to the limitations of the printing process. This brochure is distributed internationally. It provides a general indication of the range of models, features, optional extras, colours and/or services available in various countries. Some of the models, features, optional extras, colours and/or services may not be available in your country, or may only be available in a different specification. Additionally some models, features, optional extras, colours and/or services may only be available in combination with others. For current and more specific information in relation to the range of models, features, optional extras, colours and/or services available in your country, and their pricing, you should contact your nearest authorised Mercedes-Benz Passenger Car Dealer. www.mercedes-benz.com