



HONDA

CR-Z



CR-Z

動感・煥發 GLOWING DYNAMISM

傳承好動基因，耀目蛻變。本田全新CR-Z hybrid小跑車，以全新LED前、後頭燈組合、加闊10mm後輪軸距、全新升級避震及懸掛系統等設計與配備革新，突破更高層次的超卓駕駛性能與穩定性，帶來令人耳目一新的暢快駕駛體驗。

全新CR-Z驚豔登場，捷、能，繼續昂然向前。

The all-new Honda CR-Z, while inheriting its sporty DNA from its predecessors, has yet again evolved beyond its past brilliance. The all-new LED lights, the widened rear tread, improved damping force and the suspension have taken the CR-Z to another level by setting a new standard for performance and stability. Yes. It does get even more exhilarating.

The all-new CR-Z, prompt and powerful, takes another giant stride forward.





■ 全新先進Bi-LED頭燈及指揮燈組合造型閃爍、銳利，散發眩目光芒，展現凌厲氣勢。
All-new Bi-LED headlights & turning signal lamps set off a dazzling radiance for its strong presence.



DESIGNED FOR MOTION
動 • 型於外 **CRZ**



■ 純黑車尾裝飾，極具質感，貫徹瀟灑外型。
The pure black rear skirt adds texture to the stylish exterior.



CR-Z的出現，不單純是型格展示，它更體現了一種不羈的駕駛態度。俐落的流線外型於動靜間描畫出動感節奏；車側的性格線使車身更顯立體有致，為整體造型加添速度快感，配合極盡細緻的跑格元素，每分每吋，均教人熱血沸騰。

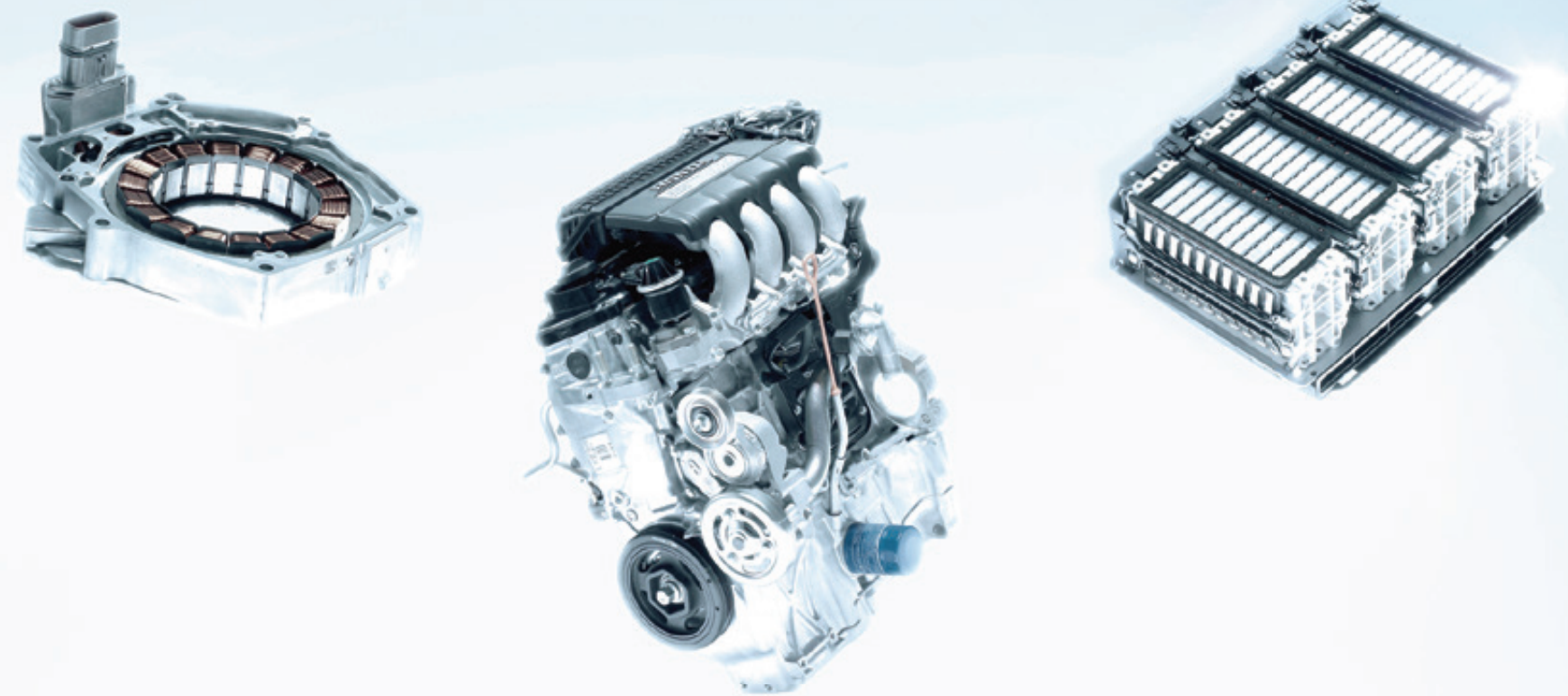
The CR-Z isn't simply an expression of style; it embodies an unrestrained attitude on the road. Its aerodynamic design expresses a rhythmic dynamism that pulses through while moving or still; and its character lines give it an even more three-dimensional effect that amplifies the overall sense of speed. Every inch of the CR-Z, down to the smallest sporty details, will get your pulse racing.

■ 嶄新設計的17吋V形切割合金輪圈，獨特美感，細節銳見。
Innovative 17" V-shaped alloy wheels lend a unique elegance.

DESIGNED FOR MOTION



■ 純黑網紋車頭柵，盡顯跑車神髓，為CR-Z添上自我個性。
A fierce-looking pure black front grille sets the CR-Z apart from the pack.



POWER AMASSED

力•盡凝聚

**INTEGRATED
MOTOR
ASSIST** **IMA**

無須額外耗能便可享受更大的快感，在CR-Z身上，這不再是個夢。本田研發的IMA整合式電動馬達輔助系統在環保節能的前提下，仍能展現隨心所欲的加速快感，結合本田最引以為傲的科技結晶—i-VTEC智能引擎，為CR-Z賦予高達118匹(引擎)及20匹(電動馬達)強勁馬力，表現稱霸同級。

Enjoy greater speed without additional fuel consumption. The IMA (Integrated Motor Assist) system developed by Honda allows for instant exhilarating acceleration that is also fuel-efficient. This, combined with Honda's i-VTEC engine, gives the CR-Z up to 118 ps (engine) and 20ps (motor) the most powerful horsepower in its class.



1.5公升i-VTEC引擎

能根據車輛的行駛及負荷情況，智慧化地控制進氣門開合時間，提升進氣效率，令引擎無論在低轉速至高轉速都能發揮「低油耗•高輸出」的效果。

1.5-liter i-VTEC Engine

1.5-liter i-VTEC Engine can intelligently control the intake valve timing according to driving speeds and load conditions, in order to raise intake efficiency at both low or high engine speeds, and to perform at a "low fuel consumption, high output" level.



搭載全新鋰離子電池，比上一代鎳氫化物電池的體積更小更輕巧，電力輸出同時提高1.5倍，效能全面升級。

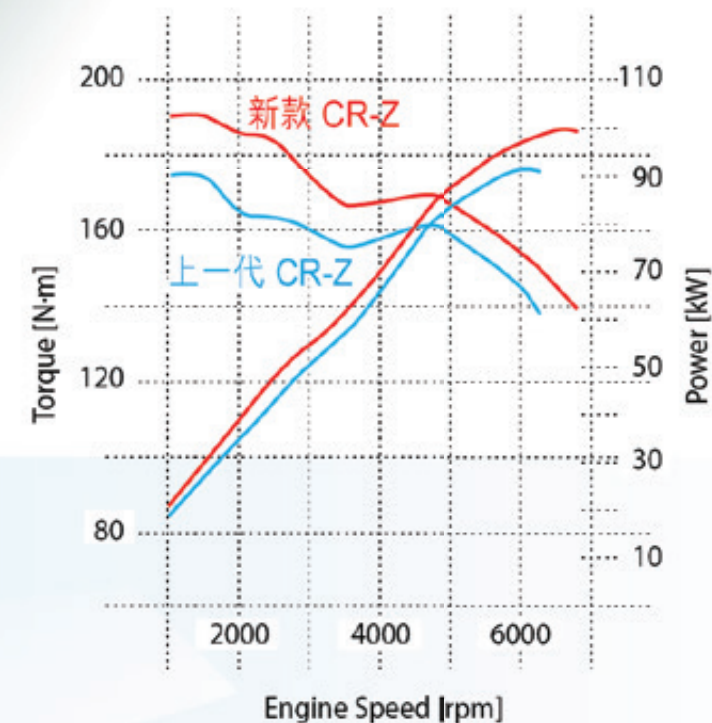
An all-new lithium-ion battery is even lighter and more compact than its predecessor, with an output 1.5 times higher for even greater performance.

IMA整合式電動馬達輔助系統

寧靜穩定的起步感覺，由IMA系統傾力塑造；結合超薄型無刷電動馬達及IPU智慧動力裝置 (Intelligent Power Unit)，減速時能透過馬達回收動能轉化為電能儲存，並於起步加速時輔助引擎以提升動力輸出，達到強化表現同時節約能源的雙重樂趣。

Integrated Motor Assist

A quiet and stable start is made possible by the IMA system; a slim, brushless motor, combined with an Intelligent Power Unit (IPU) that can store recaptured energy from regenerative braking and provide additional power when accelerating, achieves the dual goals of better performance and fuel economy.





ECO-FRIENDLY TECHNOLOGY

綠·繫科技

本田注重環境保護，因而開發了更人性化的節能設備，將Hybrid的環保效能極致顯現。Honda places great emphasis on protecting the environment, hence the development of more humanized energy efficient equipment in an effort to maximize the environmental efficiency of hybrid technology.

■ 節能計分功能 ECO ASSIST

引擎關掉後，儀錶板會以樹苗圖像顯示該次旅程的節能指數，並且會累積每次旅程的結果以計算出總里程的節能駕駛表現。

Once the engine is turned off, the dashboard will display the fuel saving index of the most recent trip with a graphical depiction of a tree sapling. It will also tally up the figures from each trip to give feedback on the fuel saving performance of the car's total mileage.

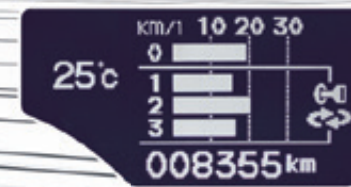
■ 嶄新改良前柱設計有效減少空氣阻力及卸水，配合後輪拱形成流線車身線條，造就卓越的空氣動力學性能。
The redesigned front pillars, together with the rear wheel arches, substantially improve aerodynamics and drainage against rainwater.



■ Idle Stop智能怠速停止系統

Idle Stop智能怠速停止系統使車輛於靜止等候時，會自動將引擎關掉，有效減少燃油消耗及廢氣排放，同時噪音及震動亦得以減少。鬆開剎車腳踏後，引擎便會重新自動起動。

The Auto Idle Stop System automatically switches the engine off at traffic lights and other brief stops, eliminating wasteful fuel consumption, noise and vibration. Releasing the brake paddle will automatically start the engine again.



ABSOLUTE DRIVABILITY

馭 • 盡潛能



1,510mm (+10mm)

- 通過增加10mm後輪軸距和改良避震及懸掛系統，進一步強化駕駛穩定性及安全性。

The increased 10mm rear tread, improved damping force and the suspension further enhance stability, and therefore, the sense of security.

■ Plus Sport 功能 Plus Sport Function

崇尚刺激，是CR-Z天性所在。只須按下設於軚盤上的Plus Sport按鈕，即可啟動加速功能，澎湃動力瞬間激發。

The CR-Z is a natural thrill-seeker. Just press the Plus Sport button on the steering wheel for an instant boost of speed.



駕駛的樂趣，在於能夠随心所欲，CR-Z設有3種行車模式，只須輕按按鈕，即可選取最合您心的駕駛方式。SPORT Mode提升引擎反應及電動馬達的輔助力，並且透過調整變速波箱，全面提升加速能力，並且強化軚盤的轉向感，展現無比的操控魅力；ECON Mode將動力系統及空調系統調節至以環保為先的自動模式，發揮節約效能；NORMAL Mode則提供了動力與節能之間的完美平衡。CR-Z，將三種個性合而為一，締造出層次更豐富的駕駛樂趣。

The joy of driving is being able to do what you want when you want to. The CR-Z has three driving modes and all you have to do is press a button to select the mode that best suits your mood. The SPORT Mode increases engine response and provides more electric motor assistance. It also raises acceleration through gear adjustments and firmer steering for better handling; in ECON Mode, the engine is tuned for optimal economy, the climate control adjusts and gives priority to fuel efficiency; NORMAL Mode provides the perfect balance between performance and fuel-efficiency. The CR-Z embodies all three characteristics to create a layered and more satisfying driving experience.



- 「三模式」驅動系統，只需輕按鍵，即可隨時切換。

The three-mode drive system offers a seamless switch between modes with a push of a button.

- 以高強度、輕量化鋼鋁骨幹提升操控敏捷性及燃油效益

The increased use of strengthened, ultra-light aluminium improves agility and fuel economy.



- CR-Z搭載7速CVT無段變速波箱，轉檔反應凌厲暢順；軚盤附有+/-轉檔撥片，操控得心應手，快感無出其右。

The 7-speed CVT gear box offers a pulse-quickening way to change gears; the +/- paddle shifters on the steering wheel gives you absolute control like no other.



- "S+" 使用狀態顯示。

Plus Sport "S+" boost system.

DESIGNED WITH YOU IN MIND

內•見心思

興奮感覺，由踏進CR-Z的一刻便已開始。前排坐擁極盡開揚的視野及空間，駕駛席座椅採用跑車專用的低坐姿設計；配合以飛機駕駛艙為設計藍本的操控台、冷豔奪目的藍光立體儀錶板等細節，呈現出科技品味互融的細膩觸感，令人一見難忘。

The sense of excitement begins the moment you step into the CR-Z. The front row enjoys a wide, unobstructed view and ample space, and the driver's seat is designed in a sporty low-sitting position. Technologically advanced and tasteful details such as an instrument panel modeled after airplane cockpits and a cool, blue backlit 3D dashboard make an unforgettable impression.



1. 跑車化座椅根據人體力學設計，緊貼各種身型線條，提昇駕駛者乘坐時的穩定性。
The sport seats are ergonomically designed to mold with the body and feature to keep the driver firmly in place.

2. 極具質感的電鍍腳踏，獨特橡膠設計加強防滑功能。
Aluminum pedals with a unique rubber design to prevent slippage.



3. 起動按鈕，引擎一按啟動。
Engine Start Button - It all starts with the push of a button.

4. 新增電子泊車掣，讓您停車時輕鬆鎖定車輛。
The new Electric Parking Brake (EPB) — Engage the EPB with a simple switch.

5. 扶手下附設特大容量儲物格，可放入9.7吋平板電腦。
The storage compartment under the armrest can accommodate a 9.7-inch laptop.



CRZ



- ▶ 後排雙座位設計，座椅可因應需要隨意收摺，提供充裕置物空間。
The back seats can be easily folded down to create ample storage space.
- ▶ Smart Key 智能感應車匙，無須取出車匙亦可開啟/鎖上車門。
Open and lock doors without taking out your key with the Smart Key system.



- ▶ 特別設計的后窗，營造空間感，帶來舒適悅目的感覺。
The design of the rear window creates a sense of spaciousness.
- ▶ 儲物空間充裕，可同時儲放兩個高爾夫球袋。
The cargo space makes enough room for two golf bags.

FUN AND SAFETY IN TANDEM

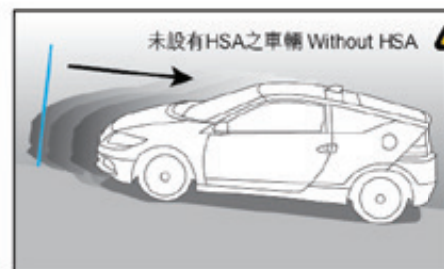
享 • 更安全

只有在周全防護下，駕駛樂趣才能極致發揮。CR-Z以開揚的駕駛視野作為安全行車的第一步，加上全新高效能Bi-LED頭燈、VSA車輛穩定控制系統及HSA斜坡發進輔助系統，造就安全卓越的駕駛表現。發生碰撞時的安全防護包括：前座雙i-SRS氣囊、側方SRS氣囊及窗簾式充氣簾幕，配合預索式安全帶及採用吸震物料製造的頭枕等設備，為駕乘者的頭部、頸部及身體提供周全保護，進一步提昇行車安全。

Absolute driving enjoyment can only be achieved under the safest conditions. The first step in safe driving for the CR-Z is a clear, unobstructed view. Energy efficient Bi-LED headlights, the Vehicle Stability Assist (VSA) and the Hill Start Assist (HSA) systems create an exceptionally safe driving performance. In the event of impact, features such as front seats airbags (i-SRS), side airbags (SRS), side curtain airbags, seatbelts with automatic tensioning and shock-absorbent head restraints, which provide comprehensive protection to the passenger's head, neck and body, will ensure the safest experience on the road.



設有HSA之車輛 With HSA



未設有HSA之車輛 Without HSA



▲ 斜坡發進輔助系統 Hill Start Assist

於斜路啟動時，短暫防止車輛溜後。

When starting the car on a slope, Hill Start Assist (HSA) prevents the car from rolling backwards.



▲ G-CON力學設計，全方位強化各種擊緩衝區。
G-Force Control Technology (G-CON) provides maximum protection from impact throughout the car frame.



▲ 尾箱內設有應急爆胎修理工具，凹槽方便存放小物。
A repair kit set can be found at the back for temporary repairs of flat tyres. The storage space is handy for placing tiny items.



▲ ESS緊急剎車訊號燈。
Emergency Stop Signal (ESS).

CR-Z

MODEL 型號	CR-Z
Model Code 型號	ZF2
POWER TRAIN 動力系統	
Engine Type 引擎種類	SOHC 16-Valve 4-Cylinder i-VTEC 16氣閥單頂凸輪軸四氣缸 i-VTEC 環保引擎
Fuel Supply System 燃料供應系統	PGM-FI (Programmed Fuel Injection) 電子燃油噴注
Displacement (cc) 容積 (毫升)	1,496
Drive By Wire (DBW) Control System 電子油門控制系統	●
Compression Ratio 壓縮比	10.4
Electrical Motor <Hybrid> Type 馬達種類	IMA Brushless DC Electrical Motor IMA 直流無刷式電動馬達
PERFORMANCE 性能	
Engine Max. Power 引擎最大馬力 kW (PS) / rpm	87 (118) / 6,600
Engine Max. Torque 引擎最大扭力 Nm (kg-m) / rpm	144 (14.7) / 4,800
Motor Max. Power 電動馬達最大馬力 kW (PS) / rpm	15 (20) / 2,000
Motor Max. Torque 電動馬達最大扭力 Nm (kg-m) / rpm	78 (8.0) / 1,000
PLUS SPORT Mode PLUS SPORT 加速機能	●
Fuel Consumption (km/l) 耗油量 (公里/升)	21.7 (JC08 Mode)
Minimum Turning Radius (m) 最小迴旋半徑 (米)	5.0
Idle Stop System 智能怠速停止系統	●
BATTERY 電池	
Type 種類	Lithium-ion Battery 鋰離子電池
TRANSMISSION / WHEELS 傳動及驅動系統	
Transmission Type 傳動系統種類	Honda Continuously Variable Transmission (CVT) 本田無段變速自動波箱
7-Speed Paddle Shift 7速+/-撥片控制系統	●
Gear Ratio 齒輪比 (Forward 前進 / Backward 後退)	Forward 2.526-0.421 / Backward 4.510-1.725
Final Gear Ratio 最終齒輪比	5.274
Drive Layout 驅動模式	Front Wheel Drive 前輪驅動
BRAKE SYSTEM 制動系統	
Front 前	Ventilated Disc 透氣碟式
Rear 後	Disc 碟式
SUSPENSION SYSTEM 懸掛系統	
Front 前	MacPherson Struts 麥花臣式
Rear 後	Torsion Beam 扭力桿
SAFETY & SECURITY 安全設備	
Bi-LED Headlights 高效能Bi-LED頭燈	●
Auto Headlight with Auto-Leveling 自動開關車頭燈連自動光線水平調整	●
Dual i-SRS Airbags 聰明雙安全氣囊	●
Front Side & Curtain Airbag System 前側及窗簾式安全氣囊	●
Pre-Tensioner Front Seatbelt with Force Limiter 預索式前座安全帶附有拉力限制器	●
Rear seats with ISOFIX Child Restraint System 後排座椅備有ISOFIX兒童安全椅固定裝置	●
Honda Built-in Immobilizer Anti-Theft System 本田防盜系統連引擎鎖上裝置	●
Honda Security Alarm System 本田防盜警報系統	●
Side-Impact Door Beams 車門內置特強防撞橫桿	●
High Mounted LED Rear Brake Light 高置式LED後煞車燈	●
Rear Wiper 後窗水撥	●
4-Wheel Anti-Lock Braking System (ABS) 四輪防鎖制動系統	●
Electronic Brake Force Distribution (EBD) 電子控制制動力分佈系統	●
Vehicle Stability Assist (Combining Traction Control System) 車輛穩定控制系統	●
Hill Start Assist (HSA) 斜坡發進輔助系統	●

Brake Assist 輔助制動系統	●
Cruise Control 定速巡航系統	●
Super Wide / Multi-View Rear Parking Camera 超廣視多角度後泊車鏡頭	Optional 可選配
Rear Parking Sensor 後泊車警示器	●
COMFORT & CONVENIENCE 舒適設備	
Electronic Parking Brake (EPB) 電子式泊車掣	●
Factory Front Leather Seats 原廠前座皮座椅	●
Smart Key System 智能感應遙控車匙	●
Leather Steering Wheel 皮軚環	●
Steering Wheel with Audio System Control 軚環連音響控制系統	●
Tilt / Telescopic-Adjustable Steering Wheel 多角度式調較軚環	●
Multi-info Display 多功能資訊顯示器	●
Driver's Seat Height Adjuster 可調較駕駛座	●
Front Seats with Heater 前座電暖座椅	●
Automatic Climate Control System with Sunlight and Temperature Sensors 自動恆溫冷氣系統連日光及溫度感應	●
Dust and Pollen Filter 花粉過濾器	●
Power Foldable Door Mirrors with Heater 可摺式電動門邊鏡連發熱功能	●
ECON / NORMAL / SPORT Running Mode 多功能駕駛模式	●
Fuel Economy Indicator 燃油消耗顯示	●
Automatic Transmission Mode Indicator 自動波檔顯示器	●
Outside Temperature Indicator 車外溫度顯示	●
Power Windows 電動車窗	● (Auto switch and anti-trap function on driver's side 一觸式按鈕及司機席防夾裝置)
Power Central Door Locks with Remote Control 電動中央門鎖	●
Audio System 高級音響系統	6.1" Touch-Screen LCD Panel Audio System with USB port and Bluetooth Handfree 6.1吋輕觸式液晶顯示屏音響系統連USB插頭及藍芽免提裝置
Number of Speaker 喇叭數目	6
Rain Sensor Wiper 雨點感應水撥	●
Alloy Pedals 鋁合金腳踏	●
Tonneau Cover 活動行李簾	●
Cup Holders 盛杯器	Front & Rear 前及後排
Cool Box 冷藏儲存箱	●
EXTERIOR 外型設備	
Side Mirror with Turn Signal Lights 轉向指揮燈	●
Front Fog Lights 前置霧燈	●
LED Position Lamp 多點式LED頭燈	●
Roof Mounted Antenna Sharkfin Design 頂置鯊魚鰭天線	●
DIMENSIONS & CAPACITIES 車身度量及容量	
Length x Width x Height (mm) 長 x 闊 x 高 (毫米)	4,105 x 1,740 x 1,395
Wheelbase (mm) 軸距 (毫米)	2,435
Tread (Front / Rear mm) 輪距 (前後 毫米)	1,515 / 1,510
Ground Clearance (mm) 最低離地距離 (毫米)	150
Unladen Weight (Kg) 車重 (公斤)	1,185
Fuel Tank (Litres) 油缸容量 (公升)	Approx. 約 40L
Seating Capacity 座位人數	4 (including driver's seat 連駕駛席)
Tyre Size 輪胎尺寸	205/45 R17
17" Alloy Wheel 17吋合金輪圈	●

All equipment and specifications are subject to change without prior notice. 規格如有更改，恕不另行通知。
All photos and color shown in this catalogue are for reference only. 以上刊登之圖片及顏色只作參考用途。

BODY COLOR



R81X
Milano Red



NH737MX
Polished Metal Metallic



NH875PX
Premium White Pearl II

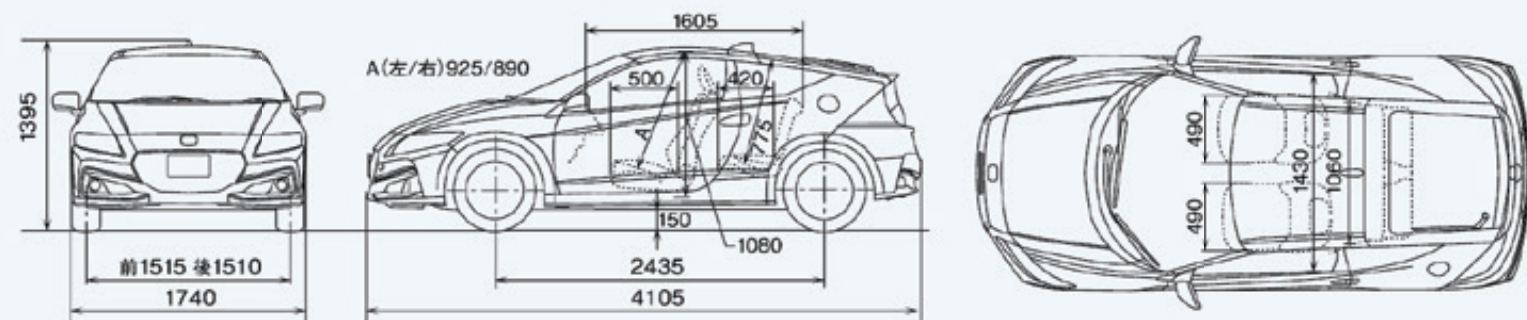


PB89PX
Premium Velvet Purple Pearl

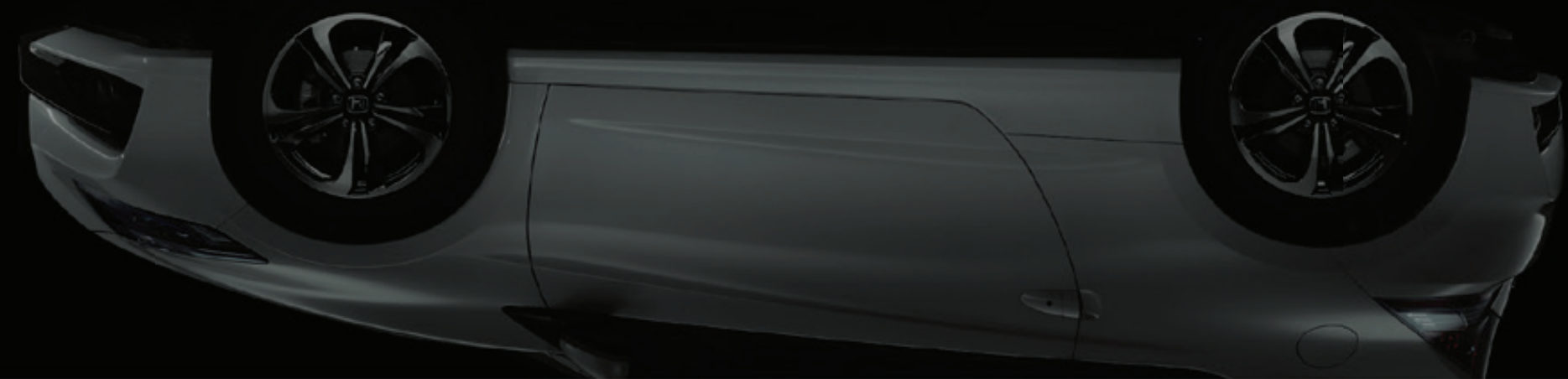


NH850X
Smart Black

DIMENSION



CRZ





After-sales service

Honda Service Centre is a team of coached profession who strike to provide the best purchase and after-sales service to every of our customer. We are earnest and possess deep-down knowledge on our products and dedicated to keep your vehicle in supreme condition by offering you comprehensive after-sales services with state-of-the-art equipment and technology.

本田中心 · 九龍灣啟祥道二十號大昌行集團大廈二樓 · 上午八時至下午八時 (星期一至五)
 上午八時三十分至下午五時三十分 (星期六及公眾假期) · 客戶熱線 : 22 168 183 · 網址 : www.dchmsc.com
 Honda Centre · 2/F., DCH Building, 20 Kai Cheung Road, Kowloon Bay, Hong Kong · 8am to 8 pm (Monday to Friday)
 8:30am to 5:30 pm (Saturday and Public Holidays) · Customer Hotline : 22 168 183 · Website : www.dchmsc.com



售後服務

本田維修中心的服務隊伍，憑著真誠及專業的技術知識，誠心為你度身訂造最合適的汽車銷售及售後服務。態度誠懇的營業代表，為你提供最深入的產品知識。而我們一支訓練有素的專業維修隊伍，以先進完善的裝備，為你提供最妥善周全，無遠弗屆的售後服務。從今，我們仍會努力不懈，確保你的座駕時刻保持最佳狀態。

CR-Z



合群汽車有限公司
Reliance Motors Ltd.
Member of DCH Holdings

3年或**10**萬公里保用
www.honda.com.hk

香港陳列室：香港告士打道38號美國萬通大廈地下C舖
九龍陳列室：九龍彌敦道20號大昌行集團大廈地下

澳門經銷商：新康明汽車有限公司
澳門漁翁街354-408號地下C-D舖

電話：2827 8622
電話：2380 2231

電話：(853) 2883 5678