

FordFusion

Feel the difference





Contents	Ford Fusion	Series	Personalise	Services	Specification
	04 Exterior styling	24 Zetec	28 Wheels	36 Ford and the environment	38 Specification
	06 Safety	26 Titanium	30 Interior, entertainment and navigation	37 Finance and services	
	12 Flexibility		32 Transportation and appearance		
	16 Performance and handling		34 Style and safety		
	20 Intelligent technology				

Ford Fusion. Another dimension

Experience life from a different perspective with the Ford Fusion. Tall, tough and protective, yet compact and agile, Ford Fusion adds an exciting new dimension to the small-car driving experience.

To really study the Ford Fusion, you need to look at it from every angle – the bold, expressive exterior; the generous, flexible space; the stylish, high-quality interior and the intelligent use of technology.

There's more than one reason why this 'big' little car stands out in the crowd. So take a closer look at the Ford Fusion and draw your own conclusions.

Note Some of the vehicle images in this brochure are computer generated, therefore the design/features on the final version may differ in various respects. In addition, some of the features shown on the vehicle may be optional or not available in this market.

Model Fusion Titanium.
Options (at extra cost) Panther Black Metallic Paint.

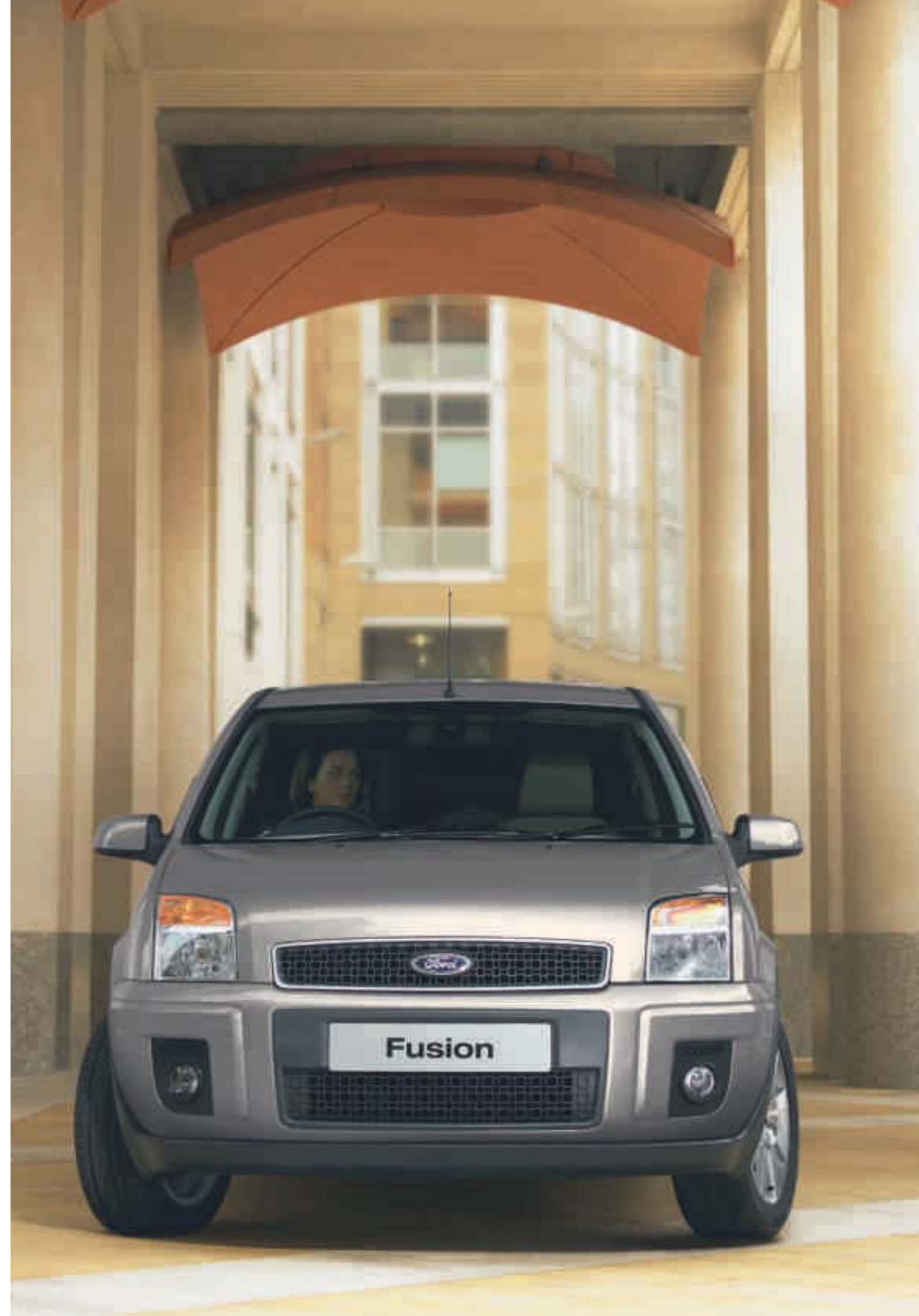
Opposite
Model Fusion Zetec
Options Dark Micastone
metallic paint.

Next page
Model Fusion Zetec
Options Moondust Silver metallic
paint.



One simple raw egg. Small and fragile. But stand it upright and you'll find it's stronger than you think. Designed to drop safely from hen to ground, this little egg is tough when it's tall.

The Ford Fusion is another fine example of intelligent design in a small package. Standing tall and proud with its tough exterior, it boasts a higher driving position and all-round visibility as well as all the large-car features you won't want to sacrifice. With the Ford Fusion, you can have it all and keep it small.





Tall and tough, yet incredibly grounded

With its tall stance and tough exterior, Ford Fusion gives you greater road presence, whilst delivering superb roadholding and stability. Combine this with its elevated seating position and panoramic visibility and you'll see why the Ford Fusion takes everything in its stride.



Enhanced visibility

A light and airy interior with large windows delivers greater all-round visibility, while the rear head restraints retract while not in use. Vehicle featured is fitted with Leather trim and Rear Head Restraint (as part of ESP option).

Command driving position

Ford Fusion's tall body and elevated seats give you a superior view of the road ahead for a more confident driving experience. Vehicle featured is fitted with Electronic Automatic Temperature Control (EATC), Bluetooth and Voice Control System®. (Option).

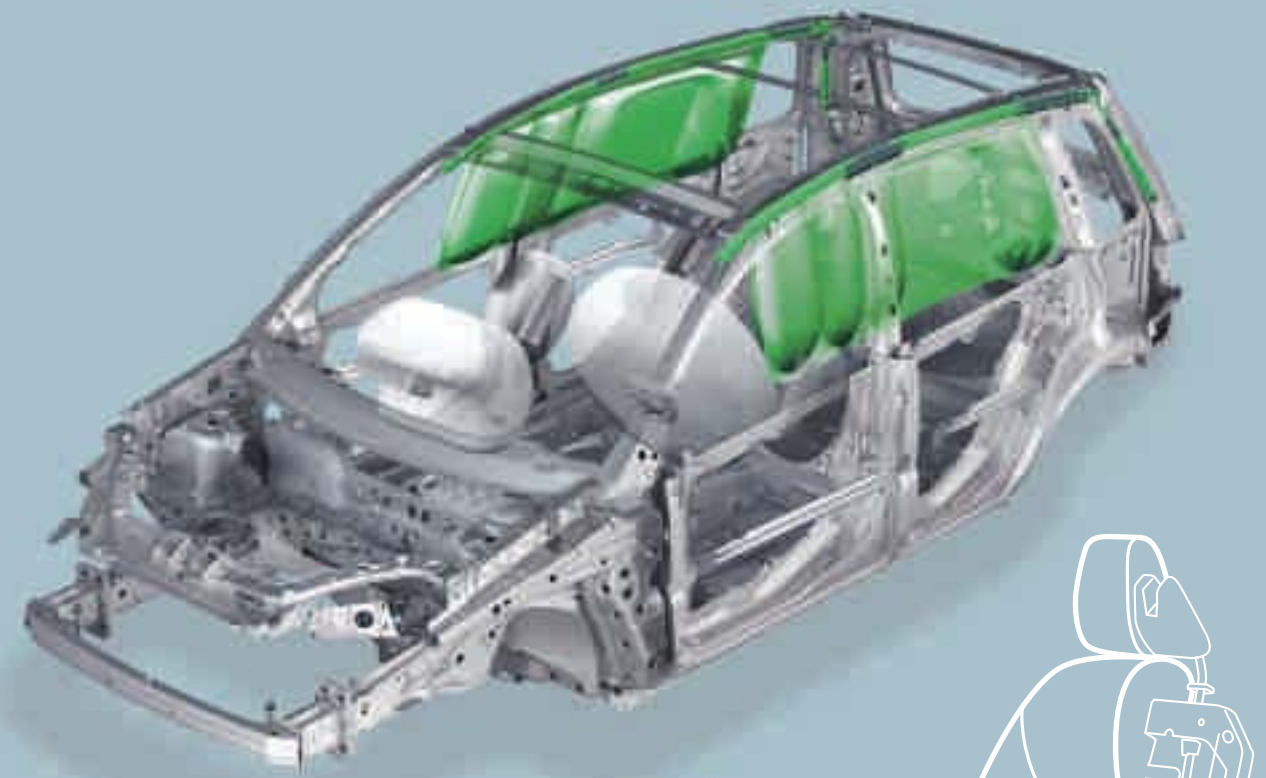


The small car that's big on safety

This is where the Ford Fusion gets really tough. While its ultra-stiff body structure provides the foundation for its excellent directional stability and control, its tough steel safety cage, with side impact door beams, absorbs energy in the event of a collision.

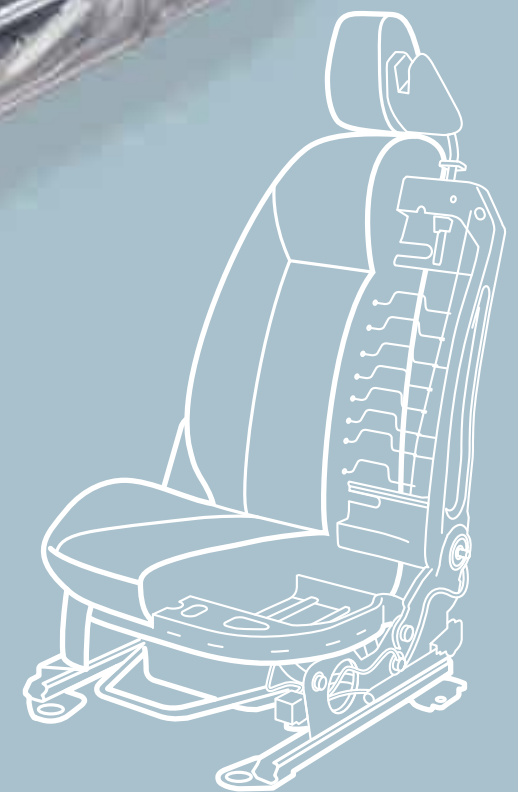
You'll also be reassured by Ford Fusion's advanced safety system that offers a combination of up to six airbags*. (Option).

As well as featuring driver and passenger front airbags* as standard, Ford Fusion was one of the first compact cars to offer side curtain airbags. (Option).



Anti-submarining seats

Every one of Ford Fusion's seats has an anti-submarining ramp under the front edges of the cushions to help prevent passengers sliding under the seat belts should there be a frontal impact.



***Note: A child seat should never be placed in the front passenger seat when the Ford vehicle is equipped with an operational front passenger's airbag. The safest place for children is properly restrained on the rear seat.**

Opposite
Model Fusion Titanium
Options Midnight Sky
metallic paint.
Accessories 16" 9-spoke alloy
wheel

Following page
Model Fusion Titanium with
Platinum Wave interior
Option EATC



When it comes to storage, the cube is by far the most intelligent solution. Its volume is easy to calculate, and its solid shape encourages the greatest use of space. Sometimes it's the simplest ideas that work the best.

The Ford Fusion is as clever as it is compact. Its shape has been designed with maximum storage capacity in mind, while its low loading lip provides easy access to its spacious boot. Then there's the flexible seating system that offers an array of different configurations, according to your passengers and luggage. So everything fits as it should.





It's not rocket science, just intelligent thinking

Not only is the Ford Fusion deceptively spacious and flexible, it also offers some intelligent features to make your life easier, like its low loading lip and fold-flat front passenger seat that doubles as a handy table.



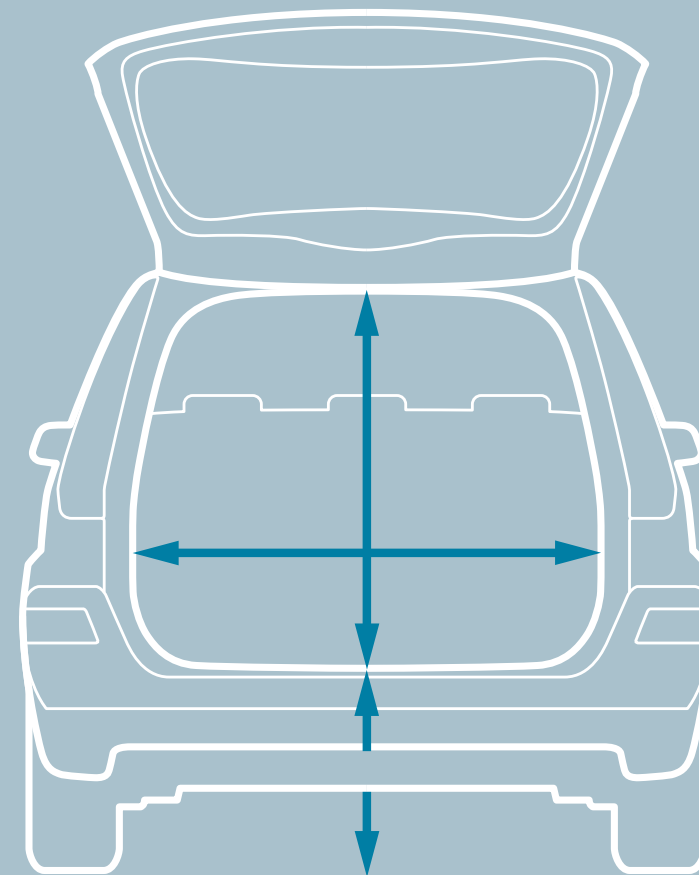
60:40 split rear seats

If you're carrying something that's a little on the bulky side, the rear seats are fully split 60:40 and can be folded down quickly and easily, without the need to remove the head restraints.



Flexible interior

The flexible seating includes a fold-flat front passenger seat on selected models, providing space for items up to 2.3 metres long.



Simply spacious

When both rear seats are folded flat, the Ford Fusion delivers an impressive 1,175 litres of luggage space. That's the equivalent of 587 2-litre bottles of drink. And, thanks to its low loading lip, you'll be able to load and unload effortlessly.



One seat or five?

Whether it's just you and your luggage, or the whole family and theirs, Ford Fusion is more than accommodating.

A place for everything

With the Ford Fusion, it's not just the passengers that are taken care of – luggage also gets preferential treatment. Not only does the flexible seating allow for all kinds of passenger and luggage combinations, there's also an array of innovative stowage solutions dotted around the cabin. So that all those little things you bring with you have their place.

Sunglasses holder

When things get a little bright, your sunglasses will be within easy reach thanks to this sturdy driver's-side holder.



Individual glovebox compartments

Fusion's glovebox has a place for everything, with its pen, ticket and handbook compartments as well as eight handy coin slots.



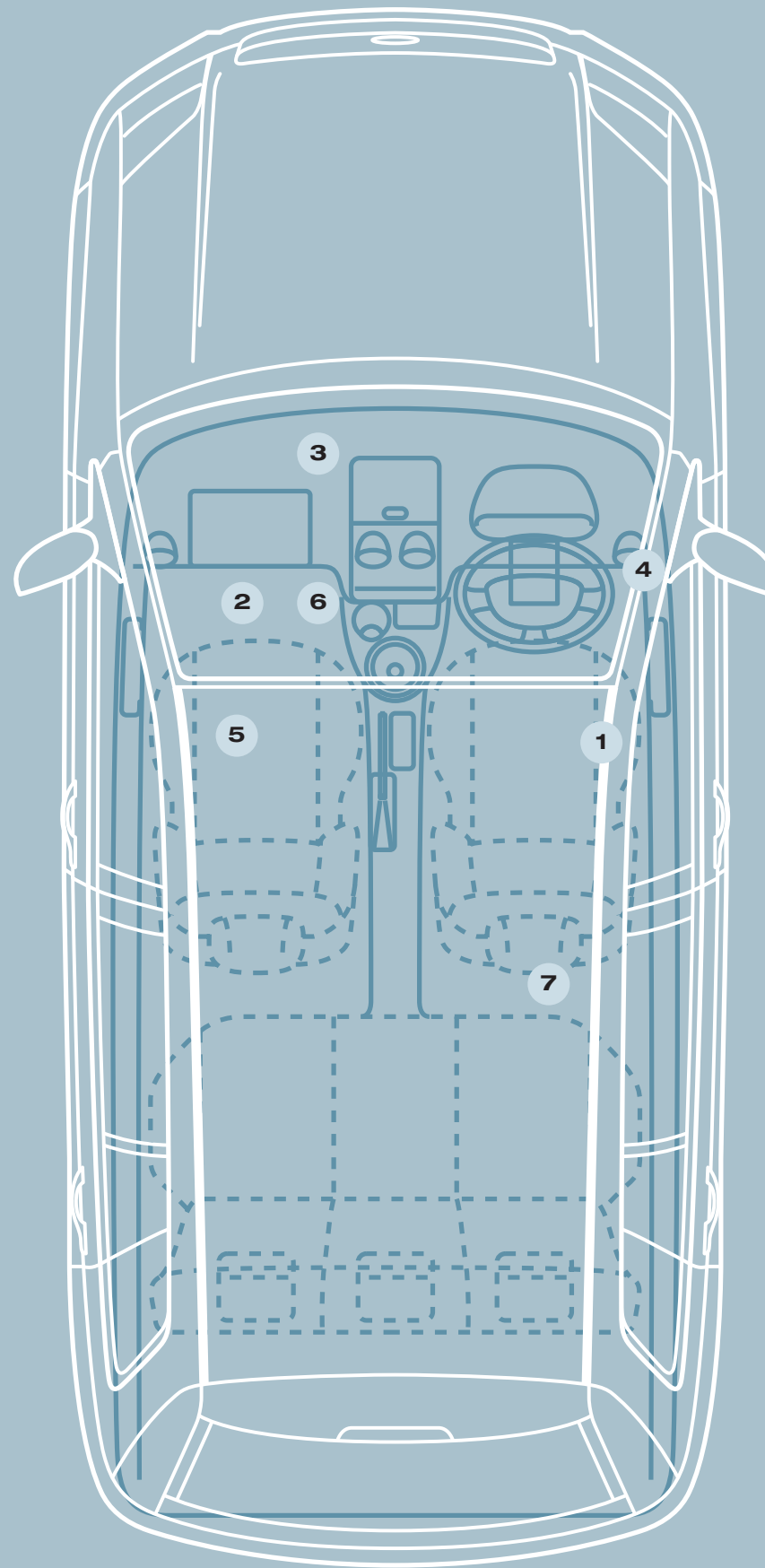
Storage compartment

Sometimes you need to keep a few things to hand while you're on the move. This conveniently situated flip-top storage compartment does the job nicely.



Lidded compartment

Neatly concealed on the driver's side of the instrument panel is a small compartment, perfect for coins, sweets or other small items.



Under-seat storage

Hidden beneath the front passenger seat is a handy storage tray, so you can tidy items away and keep them safely out of sight.



Centre console storage

This useful storage tray keeps important items to hand. It also incorporates a cup holder, designed to snugly hold a 330 ml can of drink.



Map pocket

A roomy driver's seat map pocket gives easy access to your road atlas or street map.

Opposite
Model Fusion Titanium
Options Colorado Red solid paint.



You'd need a steady hand to tackle this challenge. Just one wrong move and the buzzer will sound the moment metal touches metal. To complete it successfully takes excellent visual tracking skills, co-ordination and expert manoeuvrability.

Whether it's tight bends, tiny parking spaces or winding roads, Ford Fusion takes everything in its stride. With its superb handling and easy cornering, you'll find it incredibly easy to manoeuvre. With a range of responsive and economical engines, Ford Fusion delivers a rewarding drive, no matter how challenging your journey.



In touch with its environment, inside and out

Whether it's starting to rain or the sun's beginning to set, Ford Fusion is ready to respond with its highly sensitive technology, designed to let you concentrate on your journey.

It's not just a clear vision of the road ahead that's important – Ford Fusion also has the technology to help you park safely and efficiently.

Option = Can only be ordered with your new vehicle (at extra cost).
Accessory = Available from your Ford Dealer (at extra cost).

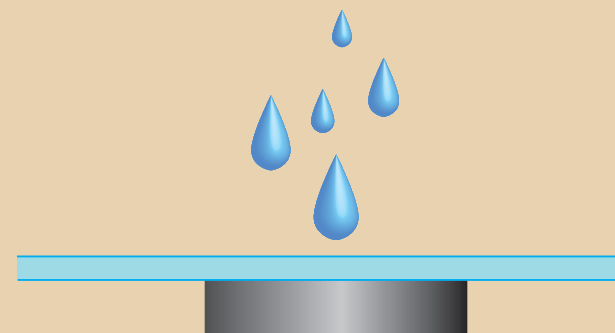


Auto headlights with headlight courtesy delay

Fusion's auto headlights switch on automatically when light levels begin to drop. (Standard on Titanium/Option on Zetec)
Ford Fusion's headlights also come with a courtesy delay feature that means your headlights will stay on for a few seconds to illuminate your path after you've parked. (Standard)

Rain-sensing wipers

When the raindrops begin to fall, Ford Fusion is ready to respond. Thanks to a discreet sensor on the windscreen, the wipers will automatically start working when the windscreen becomes wet. (Standard on Titanium/Option on Zetec)



Power-fold door mirrors

If you need to squeeze through a small gap or into a tight parking space, Ford Fusion is ready to make things easier with its innovative power-fold door mirrors. At the touch of a button, you can avoid those little scrapes and knocks that can easily happen when space is limited. (Standard on Titanium)

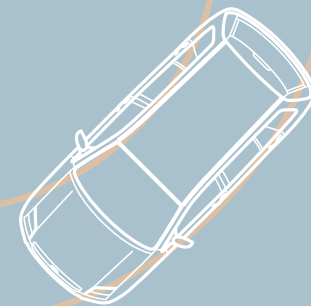
22.0°C AUTO
A/C

Electronic Automatic Temperature Control

Select a temperature that makes you feel comfortable and let the Ford Fusion keep things that way with its built-in temperature control system. (Option on Titanium)

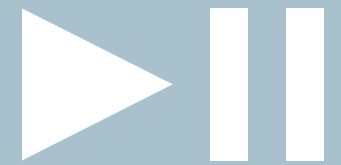
Tight turning circle

With a 9.3 metre kerb-to-kerb turning circle, Ford Fusion is perfectly designed to get you out of any tight spots.



Rear parking sensor

As well as its exceptional handling and manoeuvrability, Ford Fusion also comes with a rear parking sensor, should you need a little extra assistance getting into those tight parking spaces. Available on all models. (Option and accessory).



Not just technology for technology's sake

Everything about the Ford Fusion has been designed to make your driving life easier and more enjoyable. That's why we believe in including technical features that you will actually find useful, both for long trips and day-to-day driving.

With intelligent communication systems like voice activation, satellite navigation and Bluetooth®, a high-quality entertainment system and thoughtful touches like heated door mirrors, Ford Fusion has chosen its favourite large-car features and made them available in a smaller package.



Bluetooth® wireless technology

Bluetooth® Hands-Free Phone and the Voice Control System technology provides a wireless mobile phone connection with voice recognition control for audio, phone and climate control where EATC is fitted. (Option)

One-shot-down driver's window

Just a brief touch of a button is all it takes to fully open the driver's window. (Standard)



Navigation System

Another large-car feature, Ford Fusion's high-quality satellite navigation system guides you safely to your destination with a friendly voice and visual directions. (Accessory)

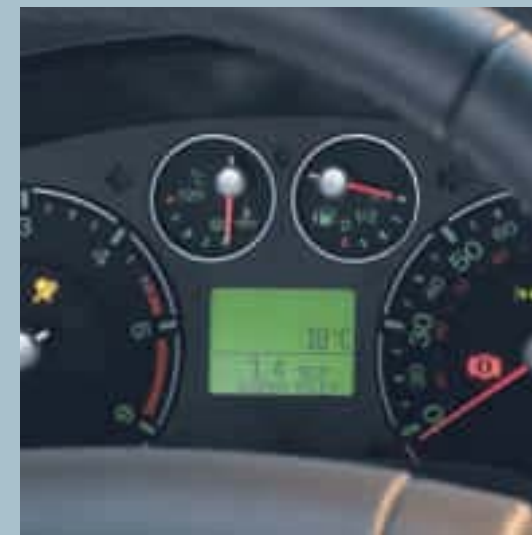


Music connection socket*

As well as offering its own high-quality audio equipment, Ford Fusion also lets you connect your own portable music player.

Also available as an accessory.

*Does not include MP3 player or lead.



Multifunction trip computer

Whether it's fuel economy, miles to empty, average speed, trip distance or external temperature, Ford Fusion's trip computer keeps you informed. (Standard)

Heated door mirrors

Ford Fusion's heated door mirrors clear frost or ice at the touch of a button for a clear view almost instantly. (Standard)





Model Fusion Zetec with Onyx Dream interior

Option Panther Black metallic paint

Zetec

Distinguished and luxurious, Fusion Zetec brings a touch of class to every journey with extra features such as soft seat fabric and leather-covered gear knob with aluminium insert. Outside, you'll find gleaming alloy wheels, bodystyling kit, aluminium grille surround and front fog lights that make sure Fusion Zetec attracts its share of second looks.

Key features

- 15" 5-spoke alloy wheels
- Full perimeter bodystyling kit
- Front fog lights
- Power heated door mirrors (body-coloured)
- Remote audio controls
- Body colour bodyside mouldings, door handles, bumper inserts and tailgate lift handle
- Aluminium finish radiator grille surround
- Trip computer
- Leather-covered gear knob with aluminium insert
- Leather steering wheel
- Front map reading lights
- Clear side indicators
- Driver's side sunglasses stowage

Chrome-finish radiator grille surround

(Standard)



15" alloy wheels

(Standard)



Remote audio controls

(Standard)



Air conditioning

(Standard)





Model Fusion Titanium with Crystal Wave interior

Option Vision metallic paint

Titanium

Fusion Titanium really is the leader of the pack with its body styling kit, rear privacy glass and 15" alloy wheels. Inside, Fusion Titanium features favourite large-car technology such as Sony CD audio system, rain-sensing wipers, auto headlights and power-fold door mirrors. All this can be enhanced with Bluetooth® and voice activation (option).

Additional to Zetec

- 15" 9-spoke alloy wheels
- Dark-tinted privacy glass on rear windows
- Power fold door mirrors
- Perimeter alarm
- Rain-sensing wipers and automatic headlights
- Second remote ignition key
- Sony CD audio system
- Rear power point
- Scuff plates and Carpet Mats
- Additional front stowage pockets and boot stowage hooks
- Upgraded loadspace carpet with protective runners
- Chrome door and tailgate handles
- Chrome inserts on side mouldings
- Chrome grille surround
- Aluminium centre bezel and gearshift knob

Chrome door handles

(Standard)



15" 9-spoke alloy wheels

(Standard)



Body colour bodyside mouldings with chrome insert

(Standard)



Unique gearshift knob

(Standard)



Style in motion

The Ford Fusion is available with a choice of stylish wheel options. Each wheel is designed to complement Ford Fusion's tall, tough looks, and is guaranteed to get you noticed, wherever you travel.



15" 5-spoke 'classic' alloy wheel
(Standard on Zetec)



15" 9-spoke alloy wheel
(Standard on Titanium)



15" 6x2-spoke machined alloy wheel
(Accessory)



16" 7-spoke alloy wheel
(Accessory)



16" 7-spoke alloy wheel
(Accessory)



16" 7-spoke 'machined' alloy wheel
(Accessory)



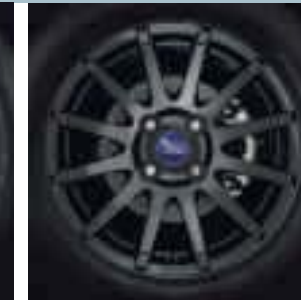
16" 8-spoke alloy wheel
(Accessory)



16" 9-spoke alloy wheel
(Accessory)



16" 12-spoke 'silver' alloy wheel
(Accessory)



16" 12-spoke 'black' alloy wheel
(Accessory)

Opposite 16" 7-spoke 'machined' alloy wheel.
(Accessory)

Add a personal touch to your new Fusion

Your Ford Fusion will become uniquely yours with a range of options and accessories to choose from. From practical features designed to help you make the most of your car, to those stylish finishing touches, the Ford Fusion invites you to reflect your own personality.

Interior styling A sporty gear shift knob (accessory) with aluminium effect inserts is available. The centre-stack bezel in silver gives Fusion's interior a further touch of class (standard on Titanium - also available as an accessory).

Images right show

Illuminated gearshift knob Sporty aluminium gearshift knob available with red or green LED illumination. (Accessory)

Blue LED illumination Subtle blue footwell lighting. Shown with premium velour carpet floor mats. (Accessory)

Bumper load protection foil and anti-slip mat The protection foil helps to keep your bumper free from scratches. The waterproof anti-slip mat helps prevent loose items sliding around whilst driving, as well as protecting your luggage compartment from dirt, wear and tear. (Accessory)

Britax Römer child seat Provides optimum all-round protection and comfort. Various seats are available for all ages. Removable and washable cover. (Accessory)

Pioneer premium loudspeakers Powerful, 3-way loudspeakers provide crisp, clear sound with a significant bass boost. For further upgrade, an active 150 watt subwoofer is also available. (Accessory)

Portable navigation Leave your maps behind with a simple and intuitive mobile Garmin GPS navigation system. Please contact your Ford Dealer for details. (Accessory)



Get more from your new Fusion

Wherever you are going, whatever you are doing, make the most of your car – and your time – with a choice of great-looking, yet extremely practical accessories.

Base load carrier The lockable base load carrier is compatible with a wide range of attachments such as roof boxes, bike carriers and ski carriers. (Accessory)

Ski carrier Smart, fully-lockable ski carrier. Suitable for up to six pairs of skis or four snowboards. (Accessory)

Images right show

Rear spoiler Stylish body colour spoiler gives your Fusion a sporty look. (Accessory)

Tow bar For extra transport and stowage capability, the tow bar can tow up to 900 kg (depending on engine). Available as fixed or detachable versions. (Accessory). 16" 7-spoke alloy wheel featured also available as an accessory.

Contoured mudflaps Available as sets for front and rear, these practical, hard-wearing mudflaps protect the bodywork from stone chips, helping to keep your Ford Fusion clean by reducing road spray (not compatible with Perimeter Body Kit). (Accessory)

Rear skid plate Available in silver or anthracite finish. (Accessory)



Add the finishing touch

Want to enhance your new Ford Fusion's bold, tough personality? Then take a look at our eye-catching range of accessories, designed to deliver great looks and a rewarding drive.

Front skid plate Upper and lower front bumper skid plates provide a tougher, more robust appearance. Available in silver or anthracite finish, depending on body colour. (Accessory)

Images right show

Rear parking sensor An audible warning helps you safely judge rear parking distances. (Option and Accessory)

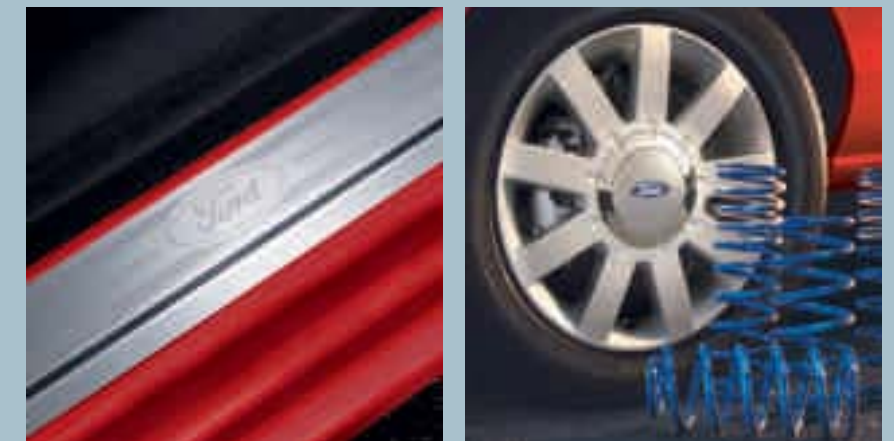
Scuff plates Aluminium scuff plates with Ford logo for front doors. (Accessory)

Eibach suspension-lowering kit The Eibach suspension-lowering kit enhances driving performance and handling as well as giving a more sporty appearance. Lowers the car by approximately 30 mm. (Accessory)

Chrome door mirror mouldings (Accessory)

Chrome B-pillar mouldings (Accessory)

ClimAir side window air deflectors These wind deflectors reduce turbulence and so allow you to enjoy your drive with the front windows down, even when it's raining. (Accessory)



We are all beginning to understand the impact that mobility is having on climate change. While we can't change things overnight, we are working very hard to find solutions.

Our range of finance, insurance, service and assistance options is designed with just one thing in mind – making life easy for you.

Ford EOnetic Technologies

Ford has developed a range of sustainable technologies, which vary by model, in order to improve fuel economy, reduce CO₂ and lower cost of ownership. These include Ford EcoBoost advanced, fuel-efficient petrol engines, Ford PowerShift transmission and Ford Auto-Start-Stop.

A low emission diesel EOnetic derivative is now available. The Ford Fiesta EOnetic delivers more than 76.3 mpg, emitting just 98 g/km of CO₂.

Longer term Ford EOnetic Technologies will expand to include electric and hybrid-electric vehicles, biofuel-capable vehicles, plug-in hybrids and hydrogen fuel cell-powered vehicles

Protecting the future

Using our Product Sustainability Index, a design for sustainability management tool, we are addressing the environmental, social and economic impacts of our vehicles from the earliest stages of their development*.

We are working on a wide range of vehicle technologies from biofuels to hybrids and clean diesels, and in the long term to hydrogen fuel-cell technology with the potential for near zero CO₂ emissions.

Improving our manufacturing facilities

Elsewhere, we are working to minimise the impact of our facilities on the environment, for example by pioneering on-site generation of electricity from sun and wind.

Breathe easier

The allergy-tested interiors of Ford Fusion, Ford Focus, Ford Kuga, Ford Mondeo, Ford S-MAX and Ford Galaxy models were the first worldwide to receive the approval of the independent German TÜV organisation.

Recycling for good

In the interests of sustainability, many of our components contain recycled and renewable content. All Ford vehicles are at least 85% recyclable and 95% recoverable in accordance with ISO 22628. We offer free take-back for qualifying vehicles at the end of their lives. All our take-back points are fully licensed and must also meet additional Ford quality standards for the professional receipt, treatment and recovery of end-of-life vehicles.

This brochure has been produced on paper based on fibres from sustainable forestry, using a 100% chlorine-free (TCF) bleaching process.

*For more about this topic, see www.ford.com/go/sustainability

**Dependent on feedstock used and production process. (Source: EUCAR CONCAWE study.) Ford supports the sustainable production of biofuels.

Ford Credit

When it comes to financing your vehicle, your Ford Dealer can remove the need for lengthy phone calls, endless online surfing and form-filling. They can help you complete an application and will get a decision, usually within 15 minutes.

So what can your Ford Dealer provide?

Ford Options offers increased flexibility and gives you the opportunity to drive a new Ford more often. At the end of the agreement you can Renew, Return or Retain your Ford.

Ford Acquire is ideal if you're a private or business user who wants a straightforward financing plan to own your vehicle. Simply put down a deposit, pay the remainder, plus interest, over an agreed period and the vehicle becomes yours.

Ford Lease* provides simple, tailored funding solutions for your business, whatever the size. Business users only.

Ford Insure** is our comprehensive motor insurance product, designed specifically for Ford drivers.

Ford more information on our finance products please visit ford.co.uk.

Finance subject to status. Guarantees/indemnities may be required. Freepost Ford Credit.

*Ford Lease is provided by ALD Automotive Ltd, trading as Ford Lease, Oakwood Park, Lodge Causeway, Fishponds, Bristol, BS16 3JA. ALD Automotive is registered in England No. 987418. For the purposes of the Data Protection Act 1998 the data controllers in relation to any information you supply are Ford Motor Company Limited, FCE Bank Plc and ALD Automotive. Finance subject to status. Guarantees and indemnities may be required. ALD Automotive is authorised and regulated by the Financial Services Authority.

**Ford Insure is underwritten and administered by Royal & Sun Alliance Insurance plc, which is authorised and regulated by the Financial Services Authority. FCE Bank plc is authorised and regulated by the Financial Services Authority and acts as an insurance intermediary in relation to Ford Insure. In relation to this same product, Ford Motor Company Limited is an appointed representative of FCE Bank plc. Ford Motor Company Limited acts as an insurance intermediary. Calls may be recorded and monitored.

Services

Ford Protect

Your new Ford is protected by a 3-year/60,000-mile Ford Protect Classic Plan Warranty, and comes with Ford Assistance roadside cover throughout the UK and Europe for 1 year. You can also upgrade to a Ford Protect Premium Plan, giving you the option of scheduled servicing and extended Ford Assistance.

Ford Service

Like any vehicle, your new Ford needs servicing regularly to keep it in the best condition and to maintain its value. The Ford authorised repairer network is independently quality checked to ensure the highest standards of workmanship are maintained. Ford has the largest repairer network in the UK, and uses Ford-trained technicians, Ford-specific tools and the latest computerised diagnostic equipment specifically for your Ford.

Ford Accident Repair Centres

Should your Ford require accident repair, an approved Ford Accident Repair Centre is the best place to return your vehicle to its pre-accident condition. Repairers displaying the Ford Accident Repair Centre sign meet the rigorous customer service, technical and quality standards demanded by Ford. Ford trained technicians, the latest repair equipment and the use of original parts mean that the future safety and value of your vehicle are assured.

Contacts

Ford Customer Relationship Centre

In the unlikely event that your Ford Dealer can't help you or if you need to speak to us directly, call 0845 841 1111 at local rates.

Ford Rental - local service nationwide

Car and van rental from our latest model range. Contact your local Ford Dealer for more information.

Ford Mobility

Our dedicated care centre provides free information on all motoring and mobility issues, including special offers for HRDLA and Motability recipients. Call us on 0845 6040019 at local rates.



Programme for the Endorsement of Forest Certification schemes

This brochure is printed on PEFC certified paper promoting sustainable forest management.

PRINTERS CODE 5pt

Exterior dimensions

	5-door
Exterior (mm)	
Overall length	4013
Overall width without mirrors	1724
Overall width with mirrors	1963
Overall height (laden)	1512
Overall height (unladen)	1543
Liftover height (to boot lip)	538
Wheelbase	2486
Front track	1477-1487
Rear track	1435-1445

Interior dimensions

	5-door
Front (mm)	
Effective headroom (without sunroof)	1015
Maximum effective leg room	1045
Shoulder room	1358
Rear (mm)	
Effective headroom	981
Maximum effective leg room	953
Shoulder room	1326
Stowable luggage (litres)[†]	
5-seat mode	337
2-seat mode (laden to belt line)	734
2-seat mode (laden to roof)	1175

[†]Measured in accordance with ISO 3832. Dimensions may vary dependent on the model and equipment fitted.

Engine data

	Engine technical features	Maximum power [°]	Maximum torque [°]
1.4 Duratec 1388 cc	4 cylinders in line; DOHC; 16 valves; alloy cylinder head and block; electronic multipoint fuel injection; electronic throttle	58 kW (80 PS) at 5700 min ⁻¹ (rpm)	124 Nm at 3500 min ⁻¹ (rpm)
1.6 Duratec 1596 cc	4 cylinders in line; DOHC; 16 valves; alloy cylinder head and block; electronic multipoint fuel injection; electronic throttle	74 kW (100 PS) at 6000 min ⁻¹ (rpm)	146 Nm at 4000 min ⁻¹ (rpm)

[°]Tested in accordance with ISO 1585.

Transmission data

	Transmission technical features
Durashift manual 5-speed	Floor-mounted gear lever; hydraulic driver-operated clutch

Fuel, performance and emissions

	Stage	CO ₂ emissions (g/km) ^{°°}	Fuel consumption L/100 km (mpg)**			Performance [°]		
			Urban	Extra Urban	Combined	Max. speed kph (mph)	0-62 mph (secs)	31-62 mph (secs)
5-door Ford Fusion								
1.4 Duratec (80 PS)	Euro Stage V	154	8.7 (32.5)	5.4 (52.3)	6.6 (42.8)	163 (101)	13.7	17.3
1.6 Duratec (100 PS)	Euro Stage V	157	9.1 (31)	5.4 (52.3)	6.7 (42.2)	178 (111)	11.0	14.3

^{*}In 4th gear. [°]Ford test figures. The declared fuel consumptions and CO₂ emissions are measured according to the technical requirements and specifications of European Directive 80/1268/EEC or the European Regulation (EC) 715/2007 amended by (EC) 692/2008. Fuel consumption and CO₂ emissions are specified for a vehicle type and not for a single car. The applied standard test procedure enables to compare between different vehicle types and different manufacturers. This information is not part of any product offer made. Real world fuel consumption can vary as the fuel efficiency of a vehicle is influenced by (individual) car configurations, driving behaviour, use of technical equipment such as A/C, as well as other non-technical factors. **Note:** All vehicles are Durashift 5-speed manual unless otherwise stated. BP Ultimate, a range of advanced performance fuels, the perfect partner to meet the most demanding needs of Ford's class-leading technology. BP Ultimate can boost power and acceleration, lower exhaust emissions and improve fuel economy, compared with ordinary fuels.

Intelligent Protection System

At the heart of Ford Fusion's safety technology is its advanced Intelligent Protection System. The system uses sensors that can determine the nature of an incident in a fraction of a second, and cleverly activate the most appropriate airbag response.



Advanced seat belt system

All five seats are fitted with three-point inertia reel seat belts. The front seat belts feature pyrotechnic pre-tensioners that remove slack from the webbing in an impact, and load-limiting retractors that progressively release a small amount of webbing to help reduce the risk of chest injury.



Model availability, weights and loads

	Zetec	Titanium	Gross Vehicle Mass (kg)	Max. braked towing limit at GVM (kg)
5-door Ford Fusion				
1.4 Duratec (80 PS) Euro V	1162	–	1605	900
1.6 Duratec (100 PS) Euro V	–	1170	1605	900

*Represents the lightest kerbweight assuming full fluid levels, 90% fuel levels and 75 kg allowance for the driver, subject to manufacturing tolerances and options, etc., fitted. **Key:** This table shows the availability of engine and gearbox combinations on Ford Fusion models and their resulting kerbweights. All vehicles are Durashift 5-speed manual unless otherwise stated. **Towing limits** quoted represent the maximum towing ability of the vehicle at its Gross Vehicle Mass to restart on a 12 per cent gradient at sea level. The performance and economy of all models will be reduced when used for towing. **Roof rack load** is a maximum of 25 kg for models without ESP (Electronic Stability Programme) and 50 kg for models with ESP.

Insurance groups

	Zetec	Titanium
5-door Ford Fusion		
1.4 Duratec (80 PS)	9E	–
1.6 Duratec (100 PS)	–	14E

Mechanical features

	Zetec	Titanium
Brakes		
Diagonally-split, with dual-line servo-assistance. Front discs, rear drums	●	●
Anti-lock brakes (ABS) with Electronic brake-force distribution (EBD)	●	●
Fuel tank		
Usable capacity – Petrol – 45 litres	●	●
Steering		
Rack-and-pinion	●	●
Power-assisted	●	●
Steering column – Tilt-adjustable	●	●
Suspension and body		
Front – Independent with MacPherson struts and subframe-mounted 'L' arm. Anti-roll bar	●	●
Rear – Twist-beam with coil springs	●	●
Electronic Stability Programme (ESP) - includes traction control, side thorax airbags, side curtain airbags and rear centre head restraint	○	○
Towing eyes – Detachable front and welded rear	●	●
Transmission		
Durashift 5-speed manual transmission	●	●
Turning circle		
Kerb to kerb 9.3 m	●	●

● = Standard, ○ = Optional, at extra cost.

Safety and security features

	Zetec	Titanium
Safety		
Fuel cut-off – Inertia switch	●	●
Side impact door beams, front and rear. Steel safety cage with engine compartment cross beam. Energy-absorbing crumple zones, front and rear	●	●
Steering column – Additional bracing	●	●
Airbags – Driver's and front passenger's*	●	●
Airbags – Front side thorax airbags ¹⁾	□	□
Airbags – Side air-curtain airbags deployed from the headlining ¹⁾	□	□
Seat belts – Front, lap and diagonal inertia reel with grabbers, pre-tensioners and height-adjustable mounts	●	●
Seat belts – Rear, lap and diagonal inertia reel	●	●
Security		
Headlights – Headlight Courtesy Delay feature	●	●
Auto Hazard Warning Lights	●	●
Alarm – Perimeter (includes 2nd remote ignition key)	○	●
Fuel cap – Locking with body colour flap	●	●
Immobiliser – Passive Anti-Theft System (PATS)	●	●
Locks – Anti-burst, high security, shielded with strengthened mountings, childproof on rear doors	●	●
Locks – Remote central/double locking with illuminated entry and Greeting Lights	●	●
Vehicle Identification Number (VIN) – Visible	●	●
Wheel nuts – Locking	●	●

● = Standard, ○ = Optional, at extra cost, □ = Part of an option pack, at extra cost, ¹⁾ Available as part of ESP option

***Note: A child seat should never be placed in the front passenger seat when the Ford vehicle is equipped with an operational front passenger's airbag. The safest place for children is properly restrained on the rear seat.**

Wheel availability

	Zetec	Titanium
Wheels		
15" 5-spoke alloy wheels, 195/60 R15	●	–
15" 9-spoke alloy wheels, 195/60 R15	–	●
Tyre repair kit	●	●
14" 'temporary' steel spare* with 125/80 R14 Low Rolling Resistance (LRR) tyre	○	○

● = Standard, ○ = Optional, at extra cost. ***Note:** If the spare wheel rim or tyre size differs from the other wheels fitted: DO NOT drive in excess of 50 mph. DO drive the least possible distance.

**1.6 Duratec**

The punchy 1.6 Duratec 16-valve, 100 PS petrol engine brings new levels of driving refinement to every journey. This powerful engine also boasts remarkable fuel economy and low CO₂ emissions.

Exterior features

	Zetec	Titanium
Exterior appearance and styling		
Bodyside mouldings – Body colour	●	-
Bodyside mouldings – Body colour with chrome insert	-	●
Bumpers – Body colour with body colour inserts	●	●
Clear side indicators	●	●
Door handles – Body colour	●	-
Door handles – Chrome	-	●
Paint – Metallic	○	○
Perimeter body kit – Grey self colour, including protective wheel arch lips, bumper spoilers and rocker panel extensions	●	●
Radiator grille – Mid-grey mesh upper with aluminium surround and slatted lower front grille	●	●
Tailgate lift handle – Body colour	●	-
Tailgate lift handle – chrome	-	●
Exterior functional		
Door mirrors – Electrically-operated and heated, body colour housings	●	-
Door mirror – Electrically-operated and heated with Power-Fold, body colour housings	-	●
Heated rear window	●	●
Quickclear heated windscreen	●	●
Tailgate release – Remote	●	●
Front windows – Tinted glass	●	●
Rear windows – Tinted glass	●	-
Rear windows – Dark-tinted privacy glass	-	●
Wheel arch liners – Front and rear	●	●
Wipers – Front, 2-speed, with programmable interval intermittent wipe and electric wash	●	●
Wipers – Front, delayed 'anti-dribble' wipe after wash/wipe function	●	●
Wipers – Tailgate wiper with electric wash	●	●
Wipers – Tailgate, reverse gear activation (when front wipers are in use)	●	●
Wipers – Automatic rain-sensing, with automatic headlights	○	●
Exterior lighting		
Halogen headlights, side lights, rear fog light, reversing light, high-mounted rear brake light	●	●
Front fog lights	●	●
Headlight levelling	●	●
Automatic headlamps with Automatic rain-sensing wipers	○	●

● = Standard, ○ = Optional, at extra cost.

Audio and communication systems

	Zetec	Titanium
Audio		
Stereo radio/CD – RDS , 'Keycode' anti-theft coding, remote audio controls, 4 speakers	●	-
Sony audio system – Sony CD – Stereo radio /CD/MP3, RDS, MP3 compatibility, remote audio controls, 'keycode' anti-theft coding, 4 premium speakers	-	●
Music Connection Socket – Allows connection of a portable music player to the car's audio system	●	●
Bluetooth® Hands-Free and Voice Control System (system without cradle)(Does not include mobile phone)	○	○

● = Standard, ○ = Optional, at extra cost.

Interior features

	Zetec	Titanium
Carpet and trim		
Carpet – Non-woven velour	●	●
Door trim – Fabric insert, moulded panel with pull handle/armrest, front door bins with integral drink can recess and integrated speaker grilles	●	●
Gearshift gaiter – Black with satin aluminium gaiter surround insert	●	●
Gear knob – Black with gloss silver acrylic insert	●	●
Handbrake release button – Aluminium finish	●	●
Scuff plates – Front door with Ford logo	-	●
Interior lighting		
Courtesy lights – Two, front- and centre-mounted, door-operated and tailgate-operated	●	●
Courtesy lights – 'Theatre-style' dimming	●	●
Map reading lights	●	●
Luggage compartment light	●	●



Durashift 5-speed manual transmission

The Ford Fusion's Durashift 5-speed manual transmission offers quick, smooth gear changes, coupled with a light, hydraulically operated clutch.

ESP system

Using space-derived technology, the Electronic Stability Programme (ESP) system senses when the car is deviating from the driver's chosen line and automatically applies the necessary power and braking adjustments to correct its road position. (This option includes traction control, side thorax airbags, side curtain airbags and rear centre head restraints)

- Vehicle with ESP.
- Vehicle without ESP.
- A** Vehicle experiences understeer on approach.
- B** Vehicle experiences oversteer on exit to bend.



Interior features

	Zetec	Titanium
Instruments and controls		
Instruments – Speedometer, electronic digital engine temperature and fuel level gauges, tachometer and trip recorder	●	●
Warning indicators for oil pressure, direction indicators, glow plugs (diesel only), high beam, ignition/alternator, brake failure, handbrake on, airbags, low fuel level, 'lights on' audible warning	●	●
Illuminated heater controls – 4-speed fan. Four vents with direction control	●	●
Control stalks – Column-mounted for high beam and flash headlights, indicators and wash/wipe functions	●	●
Trip Computer with Vehicle Personalisation	●	●
Battery saver	●	●
Steering wheel – 3-spoke, leather-wrapped with silver accent	●	●
Seats and seat belts		
Front seat – Driver's manual 4- way adjust	–	●
Front seat – Driver's seat armrest	●	●
Front seat – Passenger's seat fold-flat function with integrated work surface/tray	●	●
Front seats – Anti-submarining, fully reclining with height-adjustable head restraints	●	●
Front seats – Fold forward seat backs	●	●
Rear seat – Split fold down seat	●	●
Rear seats – Head restraints on outer rear seats	●	●
Rear seat – Head restraint on centre seat (available as part of ESP option)	□	□
Seat belts – Front, lap and diagonal inertia reel with height-adjustable mounts	●	●
Seat belts – Rear, lap and diagonal inertia reel	●	●
Interior storage		
Centre console – Long with cup holder and open storage tray	●	●
Glovebox with lid (incorporating pen and ticket holders, slot for handbook pack and 8 coin slots)	●	●
Storage bin – Passenger's seat, beneath flip-up cushion	●	●
Storage compartment – Central upper instrument panel-mounted with lid	●	●
Storage compartment – Driver's side lower instrument panel-mounted with lid	●	●
Storage pockets – Driver's seat cushion front	–	●
Storage pockets – Driver's seat back, fabric	●	●
Sunglasses holder – Driver's side headliner-mounted	●	●

Interior features

	Zetec	Titanium
Comfort and convenience		
12V accessory socket – Front, centre console-mounted	●	●
12V auxiliary power point – Rear compartment, centre console-mounted with dust cover	–	●
Air conditioning – CFC-free with air recirculation	●	●
Air conditioning – CFC free with Electronic Automatic Temperature Control (EATC)	–	○
Pollen filter	●	●
Clock – Digital, 12- or 24-hour function	●	●
Grab handle – Driver's	●	●
Grab handle – Front passenger's	●	●
Grab handles – Rear with coat hooks	●	●
Mirror – Dipping rear-view	●	●
Sunvisor – Driver's with covered mirror and ticket strap	●	●
Sunvisor – Passenger's with covered mirror	●	●
Windows – Front, electrically-operated. Driver's, with one touch lowering	●	●
Luggage compartment		
Carpet – Floor with sidewall and wheel arch trims	●	●
Carpet – Perimeter-bound with integral plastic rubbing strips	–	●
Rear parcel tray – Carpet-covered	●	●
Stowage hooks – Rear parcel tray support-mounted	●	●
Stowage hooks – Rear seat striker bar-mounted	–	●

● = Standard, ○ = Optional, at extra cost, □ = Part of an option pack, at extra cost.

Options

	Zetec	Titanium
Options		
Automatic headlights including Automatic Rain-sensing Wipers	○	●
Electronic Stability Programme (ESP) – includes traction control, side thorax airbags, side curtain airbags and rear centre head restraint	○	○
Rear parking distance sensor	○	○
Second remote ignition key (available as part of Perimeter Alarm option)	□	●
Airbag – Front passenger's airbag deactivation switch* (Dealer-fit accessory only)	○	○
Bluetooth® Hands-Free and Voice Control System (system without cradle)(Does not include Mobile Phone)	○	○

● = Standard, ○ = Optional, at extra cost, □ = Part of an Option Pack, at extra cost.

*Note: A child seat should never be placed in the front passenger seat when the Ford vehicle is equipped with an operational front passenger's airbag. The safest place for children is properly restrained on the rear seat.

Remote audio controls

All models feature remote audio controls on a stalk attached to the steering column, so you can adjust the sound system without taking your eyes off the road.



Rear power socket

A convenient, easy-to-use power source for phone chargers, car vacuum cleaners and other 12-volt electrical appliances.



Storage compartment

Sometimes you need to keep a few things to hand while you're on the move. This conveniently situated flip-top storage compartment does the job nicely.



Under-seat storage

Hidden beneath the front passenger seat is a handy storage tray, so you can tidy items away and keep them safely out of sight.



Explore the world of colour

It's not just the bold, expressive shape that helps the Ford Fusion to stand out from the crowd. The exciting palette of metallic and solid body colours is just as important.

From invigorating reds to soothing blues; luxurious silver to classic black. Whatever your taste, whatever your mood, you're sure to find a shade that's just right for you.



Onyx Dream



Platinum Wave



Crystal Wave



Opal Haze



Colorado Red
solid body colour



Moondust Silver*
metallic body colour



Panther Black*
metallic body colour



Vision*
metallic body colour



Midnight Sky*
metallic body colour



Dark Micastone*
metallic body colour



Ink Blue*
metallic body colour

*Metallic body colours are available at extra cost.

The Ford Fusion is covered by the Ford Perforation Warranty for 12 years from the date of first registration. Subject to terms and conditions.

Note The car images used are to illustrate body colours only and may not reflect current specification. Colours and trims reproduced within this brochure may vary from the actual colours, due to the limitations of the printing processes used. Door mirrors shown in this brochure may differ from current model.

Trim and body colour availability

Model	Zetec	Titanium		
Environment colour: Upper/Lower	Dark Pewter/Ebony	Dark Pewter/Ebony	Iris/Cream	Dark Pewter/Ebony
Interior Combination Name	Onyx Dream	Platinum Wave	Crystal Wave	Opal Haze Leather*
Solid body colours				
Colorado Red	●	●	●	●
Metallic body colours				
Dark Micastone	○	○	○	○
Ink Blue	○	○	○	○
Midnight Sky	○	○	○	○
Moondust Silver	○	○	○	○
Panther Black	○	○	○	○
Vision	○			○

● = Standard, ○ = Optional, at extra cost. *Leather trim is an option at extra cost,

Illustrations, descriptions and specifications. This brochure was correct at the time of going to print. However, Ford policy is one of continuous product development. The right is reserved to change specifications, colours and prices of the models and items illustrated and described in this publication at any time. For the latest details always consult your Ford Dealer. **Optional equipment.** Throughout this publication, wherever a feature is described as being an 'Option' or 'Optional Fitment/Pack', etc., you should assume that it will be at extra cost to the base vehicle, unless specifically stated to the contrary. All models and colour combinations are subject to availability. **Note.** Some images portrayed are of a pre-production model and/or are computer generated, therefore, the design/features on the final version of the vehicle may differ in various respects. In addition, some of the features shown on the vehicles may be optional. **Note.** This brochure contains both original Ford accessories as well as a range of carefully selected products from our suppliers, which are featured under their own brands. All supplier branded products are subject to warranty terms defined by the relevant suppliers and do not lie within the responsibility of Ford. **Note.** The Bluetooth® word mark and logos are owned by the Bluetooth SIG, Inc. and any use of such marks by Ford Motor Company is under licence. Other trademarks and trade names are those of their respective owners.

The Government fuel figures do not express or imply any guarantee of the fuel consumption of any particular car. The cars themselves have not been tested and there are inevitably differences between individual cars of the same model. In addition, a car may incorporate particular modifications. Furthermore, the driver's style and road and traffic conditions, as well as the extent to which the car has been driven and the standard of maintenance, will affect its fuel consumption. **Insurance groups** are only as recommended by the Association of British Insurers. You should always consult your insurance adviser for confirmation.



Allergy-tested interior All materials used in the manufacture of the interior of this vehicle meet the strict requirements of the TÜV TOXPROOF Criteria Catalogue for Vehicle Interiors by the TÜV Produkt und Umwelt GmbH and are designed to minimise the risk of allergic reactions. With doors and windows closed, the interior materials selected – together with the integrated pollen filter – protect the passengers against most allergising particles from the outdoor air. At higher temperatures, the additional use of air conditioning is recommended.



Ford and BP – working together to reduce fuel consumption and emissions.



Collect Nectar points at participating Ford Dealers and Authorised Repairers now. So take a look at the latest Ford Service Promotions by visiting the Owner Services section within www.ford.co.uk.



When you have finished with this brochure please recycle it.

Published by Ford Motor Company Limited,
Brentwood, Essex, England.
Registered in England No. 235446.
FA 1430/13.
BJN 306990. FoE H04E.
PN 079507/0211/45m/GBR en.
February 2011
© Ford Motor Company Limited.

www.ford.co.uk

