



DS AUTOMOBILES

SPIRIT OF
AVANT-GARDE



DS 3

IT'S ALL ABOUT PERSEVERANCE. YOU CAN HAVE A GREAT IDEA
BUT IF YOU DON'T FIGHT, IT WON'T GO ANYWHERE.

THIERRY METROZ, HEAD OF DS STYLING





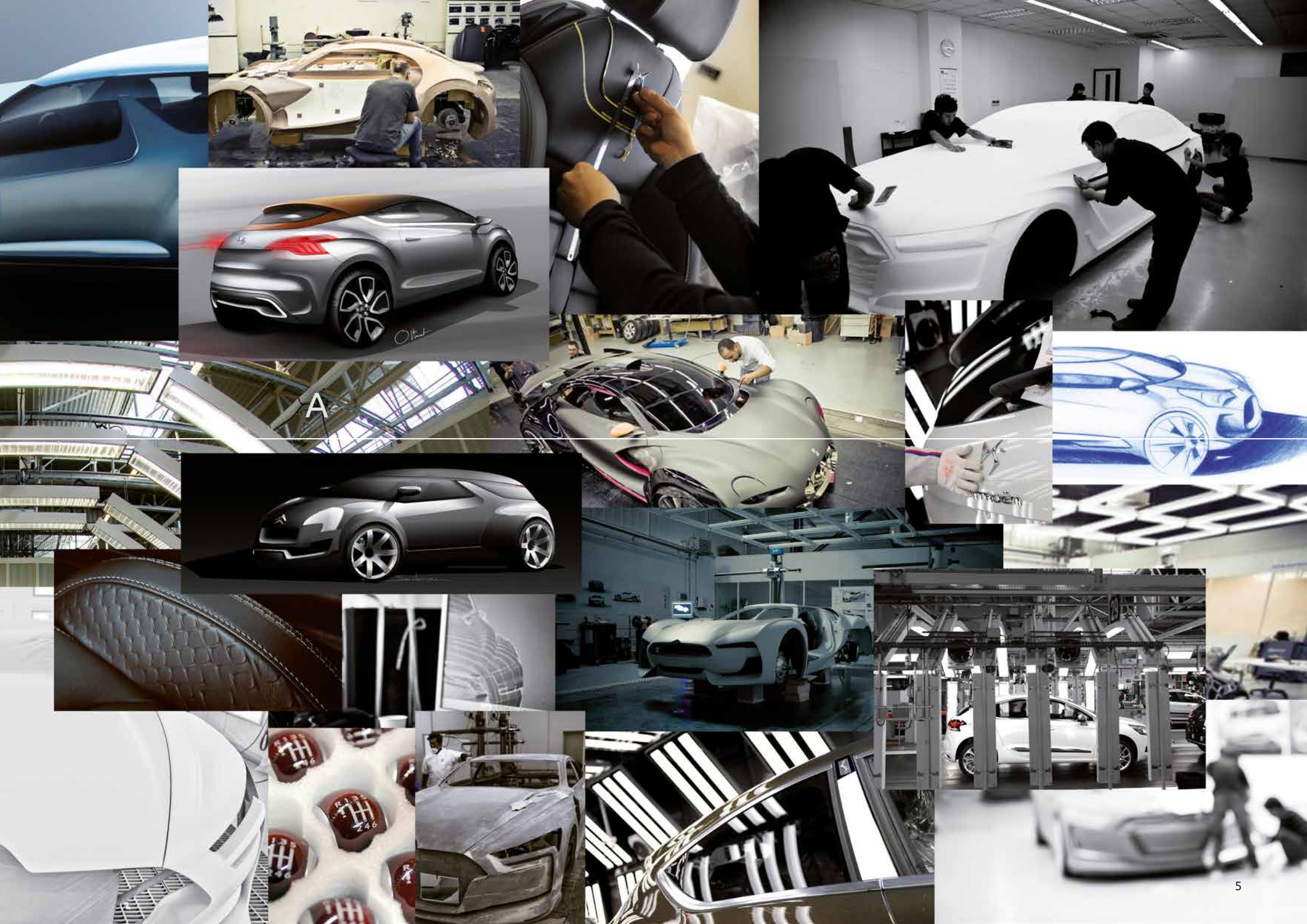
DS AUTOMOBILES

SPIRIT OF
AVANT-GARDE

EVERY LINE IS JUSTIFIED BY A FUNCTION.

MARK LLOYD
STYLING MANAGER





A



THOMAS D'HAUSSY
RANGE MANAGER

DESIGN



Sculpted flowing forms reflect DS 3's refined dynamic performance, yet we've maintained a taut compactness in the profile. We were keen to create elements of genuine surprise within its design character as well, clearly epitomised by the dramatic shark fin B pillar – like the design as a whole, that shape is fast becoming a bit of an icon.



CHRISTOPHE POINLANE
COLOURS AND MATERIALS STYLIST

COMFORT



You become one with DS 3 when you get in and drive. A big part of that process is about true comfort – it's in the high quality materials that surround you and that you touch, the layout of the controls, the technology... there's an engineered refinement that begins at ground level and is appealing in every sense.

THIERRY METROZ
DESIGN DIRECTOR

INDIVIDUAL



When we created DS 3, we aimed to provide maximum freedom for individual expression – to make it the antithesis of ‘me too’ and generic design. I believe it raises the bar for this kind of personal creative involvement, because the unique character and charisma of the car demand that you make it yours.





MARK LLOYD
STYLING MANAGER

STYLE



I think there's an innate desirability about DS 3. There are all kinds of unmistakable style cues that simply belong to this car – that you won't find anywhere else. True style grabs your attention – either at a glance or up close: it's in the magnetism of the whole – its street presence – and in all the details.



ANTI RETRO. EACH ELEMENT AND EVERY ANGLE OF DS 3 IS FRESH, ORIGINAL AND INNOVATIVE; ADVANCED AND RADICALLY DIFFERENT FROM OTHER CARS, IT IS A CLEAR EXPRESSION AND CELEBRATION OF AVANT GARDE.

BUT DS 3 IS ALSO ABOUT YOU, BECAUSE THROUGH ITS HUGE RANGE OF PERSONALISATION OPTIONS, IT ALLOWS YOU TO FINE TUNE A CAR THAT REFLECTS YOUR CHARACTER AND TASTE MORE CLEARLY AND STYLISHLY THAN EVER. THROUGH ELEGANT DESIGN, TACTILE QUALITY AND EXPERENTIAL TECHNOLOGY, DS 3 TAKES FREEDOM OF EXPRESSION TO THE NEXT LEVEL.

› CROWNED 'BEST SMALL CAR':

DS 3 is the 'Best Small Car' of 2014*, according to a What Car? and JD Power owner satisfaction survey. The survey asked over 15,000 drivers to rate their own cars – the agile DS 3 clearly offers an exceptional owner experience.

WHATCAR?
JD POWER
SURVEY
2014
Best small car
Citroën DS3

› **CONTENTS:** 12 INTRODUCTION 14 OUTSIDE 16 INDIVIDUALITY 18 DRIVING EXPERIENCE 20 INSIDE 22 TECHNOLOGY & INNOVATION 24 SAFE & EFFICIENT 26 THE RANGE 30 YOUR EXTERIOR 32 YOUR INTERIOR 33 ACCESSORIES 34 EQUIPMENT SPECIFICATION 36 TECHNICAL SPECIFICATION 37 ENVIRONMENTAL COMMITMENT 38 FINANCE, CARE & INSURANCE 39 GLOSSARY & DIMENSIONS

* DS 3 received the highest numerical score among small cars in the proprietary J.D. Power & Associates 2014 UK Vehicle Ownership Satisfaction StudySM. Study based on 15,562 UK consumer responses measuring 109 models and measures ownership satisfaction with two year old vehicles. Proprietary study results are based on experiences and perceptions of consumers surveyed January – March 2014. Your experiences may vary. Visit jdpower.com.

INSTANTLY ICONIC. DS 3 CREATES ITS OWN CLASS AND A NEW TRADITION. EVEN PARKED IT HAS A SUBTLE DYNAMISM AND SENSE OF MOVEMENT, THANKS TO INSPIRING DESIGN SURFACES AND SHAPES.

THE WHOLE PROFILE IS ROBUST AND CHUNKY, YET SMOOTH AND REFINED. A UNIQUE 'SHARK FIN' B PILLAR SWEEPS TOWARDS THE 'FLOATING' ROOFLINE, WHILE TWO ROWS OF SPARKLING LEDS CAN FLANK THE AGGRESSIVE, ROAD HUGGING LOWER GRILLE AND SPOTLIGHTS. THE CHROME UPPER GRILLE ELEGANTLY INCORPORATES THE DOUBLE CHEVRON. TAKE TIME TO LOOK FROM ANY ANGLE AND YOU'LL FIND SURPRISES, ORIGINAL IDEAS AND DELIGHTFUL DETAILS: A DESIGN ICON FOR NOW.





AS INDIVIDUAL AS A SIGNATURE.

WITH A CHOICE OF 10 STUNNING BODY COLOURS AND FOUR CONTRASTING SHADES FOR ROOF, DOOR MIRRORS AND WHEEL CENTRES, THE POTENTIAL FOR PERSONAL EXPRESSION IS VAST.

A CHOICE OF ALLOY WHEELS, ROOF GRAPHICS AND STRIKING DASH FINISHES ADD HEAD-TURNING IMPACT AND EVEN THE REMOTE PLIP FEATURES A COLOURED DISC - A PERFECT LITTLE SYMBOL OF ULTIMATE PERSONALISATION!







A MOVING EXPERIENCE. NOTHING FEELS LIKE DS 3 ON THE MOVE: HERE'S A DRIVING EXPERIENCE LIKE NO OTHER. IT STARTS AS YOU SETTLE INTO THE SCULPTED, BEAUTIFULLY FINISHED DRIVING SEAT THAT'S SET SPORTY AND LOW.

THE COMPACT STEERING WHEEL FEELS JUST RIGHT AND ALL THE VITAL DIALS ARE SET IN A DEEPLY COWLED, CHROME-EDGED TRIPLE POD. TURN THE KEY AND BOTH SPEEDO AND REV COUNTER ZIP ROUND THEIR DIALS AND RETURN TO ZERO. YOU'RE READY TO GO.

There are a choice of three petrol engines, including the super compact PureTech 82, PureTech 110 S&S and the exciting THP 165 S&S. DS 3's diesel options are super-efficient BlueHDi engines of 100hp or 120hp. Both units offer an exceptional balance of power and efficiency, with fuel economy of up to 83.1mpg and CO₂ from just 87g/km.

› LIGHT FANTASTIC

Stunning headlights combine Xenon and LED technologies into a truly hypnotic gaze. Scrolling indicator lights stroke the outer edges in a display of futurism sure to turn heads as you turn corners.

› ROLLING SCULPTURE

Imposing alloy wheels hint at DS 3's poise and finely tuned handling.







LUXURY REINVENTED. THE DS 3 INSIDE STORY IS AN ORIGINAL. LOOK AROUND AND YOU'LL SEE INVITING, SERIOUSLY ENVELOPING SEATS, STYLISH AND CRYSTAL CLEAR INSTRUMENTS AND PERFECTLY HONED DETAILS, ALL IN HIGH QUALITY, TACTILE MATERIALS.

BRUSHED METAL, POLISHED CHROME AND LEATHER MAKE IT A SENSORY TREAT. THE BODY HUGGING DRIVER'S SEAT IS FULLY ADJUSTABLE AND AN OPTIONAL RETRACTABLE FRONT ARMREST ALSO FUNCTIONS AS A USEFUL STORAGE SPACE. EVERYWHERE THERE ARE BIG CAR REFINEMENTS AND INNOVATIVE LUXURY DETAILS, REDEFINED FOR DS 3.

› PEDAL POWER

On DSport and Ultra Prestige versions the tough, stylish, aluminium pedals have grippy rubber inserts for perfect footwork.



› SENSUAL WORLD

Lustrous finishes, supple leather and fresh shapes are a treat for your senses.

› ELEGANT COMFORT

The added comfort of a front armrest on selected versions, features a handy storage compartment.



INNOVATION EVERYWHERE.

EXPERENTIAL TECHNOLOGY AND INTELLIGENT DETAILS CAN BE SEEN EVERYWHERE ON DS 3. LIKE EVERY DS, IT HAS INNOVATION IN ITS DNA.

FROM DAB AUDIO TO AUTOMATIC AIR CONDITIONING AND 7" TOUCH SCREEN, DS 3 IS FULL OF TECHNOLOGY TO ENHANCE DRIVING EXPERIENCE. A HEAD TURNING SIGNATURE OF DS 3 IS ITS STYLISH, SAFE LED DAYTIME RUNNING LIGHTS THAT SPARKLE EITHER SIDE OF THE LOWER GRILLE.

> EFFORTLESS COOL

Automatic air conditioning, standard on DStyle Nav, DSport and Ultra Prestige, maintains an ideal interior temperature and is easy to adjust using the two clever multi-function dials.

> EMYWAY – YOUR WAY

Choose eMyWay sat nav with 7" colour screen and get to any European destination minus hassle.

> FRONT ROW SEATS

Placing you at the heart of every song, DS 3's optional Hi-Fi system adds a third central speaker in the dashboard and a rear integrated subwoofer within the boot.



> LOOKS GOOD, IS GOOD

The bold curves of the dashboard, with its chrome trimmed dials and fingertip controls house all your chosen technology: form and function in perfect harmony! Even the key fob is a little personalised work of art.

> MAKE THE CONNECTION

DS Connect Box, standard on DStyle Nav, DSport and Ultra Prestige includes a USB dock nestling in the centre console, meaning that you can charge your phone on the move or play music from your USB stick.

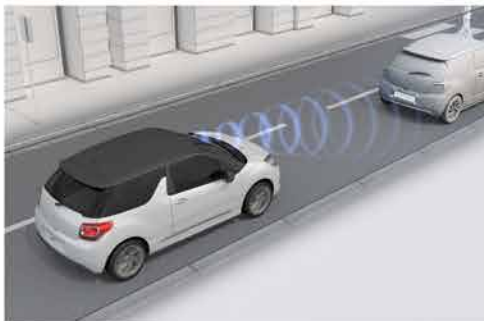


IT'S YOUR WORLD. DS 3 IS FOR INDIVIDUALS AND SAFETY AND MINIMISING ENVIRONMENTAL IMPACT ARE IMPORTANT PERSONAL CHOICES.

THAT'S WHY DS 3 IS EQUIPPED WITH A RANGE OF BRAKING AND AIRBAG TECHNOLOGIES AND ACHIEVED A MAXIMUM 5 STAR EURO NCAP RATING.

And if that doesn't stop you in your tracks, Active City Brake technology will. Sensors continually monitor the distance to the vehicle in front – if that distance reduces too quickly for you to come to a safe stop whilst driving below 20mph, Active City Brake technology will apply the brakes for you.

A choice of fuel efficient PureTech and BlueHDI engines offer superb driving experience, alongside excellent fuel and environmental efficiency.



> SAFELY ANCHORED

Child safety is as important to us as it is to you. Isofix anchorage points on the outer rear seats ensure that children are safe and secure.



> CHANGE FOR GOOD

DS 3 helps you drive with the environment in mind thanks to its Gear Efficiency Indicator (GEI) on manual versions, which lets you know exactly which gear is most efficient and reduces the ecological impact and fuel consumption.



TAKE FIVE INDIVIDUALS.

DS 3 IS A RANGE OF FIVE VERSIONS. THEY ARE POINTS OF DEPARTURE FOR YOUR INDIVIDUALITY. HERE IS WHERE YOUR OWN DS 3 COMES ALIVE.

CHOOSE DSIGN, DSTYLE OR DSTYLE NAV AND YOU'LL BE STARTING WITH A BEAUTIFULLY STYLED AND BRILLIANTLY ENGINEERED DS. WHERE BETTER TO BEGIN?



> DS 3 DSIGN



> DS 3 DSTYLE



> DS 3 DSTYLE NAV

DSIGN

A DRAMATIC ENTRANCE

FASCINATING FROM EVERY ANGLE, TEEMING WITH GREAT DETAILS AND READY TO RAISE A GRIN ON ANY DRIVE, DS 3 DSIGN HAS A VERY NON-STANDARD STANDARD SPECIFICATION THAT BRINGS YOU THE FEATURES AND TECHNOLOGY THAT MATTER.

> DS 3 DSIGN SPECIFICATION INCLUDES:

- ABS with Electronic Brakeforce Distribution (EBD) and Emergency Braking Assistance (EBA)
- Electronic Stability Control
- Driver's, front passenger's, front lateral and curtain airbags
- Front seat belt pre-tensioners with force-limiters
- Cruise control with speed limiter
- Remote central locking with deadlocks
- **LED Signature** – LED Daytime Running Lights (DRLs), front fog lights and grille chrome surrounds and chrome insert on rear number plate moulding
- Front fog lights
- 16" black Ashera alloy wheels
- Roof colour door mirrors
- Chrome door handles
- Chrome door sill protector
- Chrome side rubbing strips
- Electrically adjustable door mirrors
- Front electric windows with 'one-touch' operation on driver's side
- 'Sturm' cloth seats
- Rear 1/3-2/3 split/folding seats
- 12 volt socket in cabin
- Multi-function on-board trip computer
- Leather steering wheel
- Gear Efficiency Indicator (manual models only)
- Variable power assisted steering
- Sport suspension
- RDS radio/MP3 CD player with six speakers and steering mounted controls
- AUX socket

DSTYLE

DYNAMIC IN DETAIL

FROM NOSE TO TAIL DS 3 DSTYLE FEATURES EXCLUSIVE DETAILS AND STYLING FLOURISHES, FROM ITS DAB DIGITAL RADIO TO INTERIOR MOOD LIGHTING AND DARK TINTED WINDOWS. EVERY ELEMENT HAS BEEN METICULOUSLY CHOSEN TO HEIGHTEN DS 3'S SENSORY IMPACT.

> DS 3 DSTYLE SPECIFICATION IN ADDITION TO DSIGN INCLUDES:

- 17" black Bellone alloy wheels
- 'Rayados' cloth seats
- DAB Digital Radio (does not include CD player)
- 7" Touch screen
- Dark tinted rear windows
- Manual air conditioning
- Interior mood lighting
- Scented air freshener
- Bluetooth® handsfree and Media Streaming with USB Connection
- Gloss black dashboard strip

DSTYLE NAV

A SENSE OF DIRECTION

TAKE ONE STEP FURTHER WITH DSTYLE NAV. EXTRA EQUIPMENT INCLUDING SATELLITE NAVIGATION, HI-FI SYSTEM AND AUTOMATIC AIR CONDITIONING SUPPLEMENT THE ALREADY RICH SPECIFICATION OF DSTYLE, TO GIVE YOU EVEN MORE.

> DS 3 DSTYLE NAV SPECIFICATION IN ADDITION TO DSTYLE INCLUDES:

- 17" black Aphrodite alloy wheels
- eMyWay Satellite navigation
- Hi-Fi system
- Rear parking sensors
- Automatic air conditioning
- DS Connect Box and Emergency and assistance

	DSign	DStyle	DStyle Nav
PETROL ENGINE AVAILABILITY			
PureTech 82 manual	•	•	
PureTech 110 S&S manual		•	•
PureTech 110 S&S EAT6 auto		•	•
THP 165 S&S 6-speed manual		•	
DIESEL ENGINE AVAILABILITY			
BlueHDi 100 S&S manual		•	•
BlueHDi 120 S&S 6-speed manual		•	

MORE POWER TO YOU.

DS 3 DSPORT AND ULTRA
PRESTIGE VERSIONS
START WITH MORE. MORE
EQUIPMENT, MORE LUXURY,
MORE INDIVIDUALITY...
SAY NO MORE.

> DS 3 DSPORT



> DS 3 ULTRA PRESTIGE



DSPORT

A POWERFUL STATEMENT

THE DEFINITIVE DS 3 MIXES LAVISH DETAILS, EYE CATCHING STYLE, INGENUOUS TECHNOLOGY AND FINE MATERIALS TO CREATE THE ULTIMATE FORMULA. ALL THAT'S LEFT TO DO IS ADD YOU.

› DS 3 **DSPORT** SPECIFICATION IN ADDITION TO DSTYLE INCLUDES:

- DS LED Vision Xenon headlights
- Rear spoiler with integrated third brake light
- Contrast pack (bi-tone roof)
- Black Alcantara® and cloth sports seats
- Height-adjustable front passenger's seat
- Carbon Fibre effect dashboard strip
- Aluminium sports pedals
- Hi-Fi system
- Automatic lights and windscreen wipers
- Electrically folding door mirrors
- Electrochrome rear view mirror
- Rear parking sensors
- Active City Brake
- Automatic air conditioning
- Alarm
- Space saver spare wheel

ULTRA PRESTIGE

THE ULTIMATE

CHARISMA AND STYLE REFINED TO A POINT WHERE CORE STRENGTHS AND UNIQUE QUALITIES SHINE BRIGHT. DS 3 ULTRA PRESTIGE DEFINES A RARE KIND OF LUXURY.

› DS 3 **ULTRA PRESTIGE** SPECIFICATION IN ADDITION TO DSPORT INCLUDES:

- 'DS monogram' roof graphic
- Body colour painted door handles
- 17" Ambrain Grey 'Bellone' alloy wheels with Scala Red centre caps
- Roof coloured DS laser-etched door mirrors
- White leather dashboard with embossed DS monogram
- Black and Alpine white Semi-Aniline watchstrap leather
- Leather gear knob
- **eMyWay Satellite Navigation and Reversing Camera Signature** – colour satellite navigation, live traffic information, European mapping, Connecting Box (Bluetooth® handsfree with media streaming and USB socket), automatic air conditioning, reversing camera and rear parking sensors.

	DSport	Ultra Prestige
PETROL ENGINE AVAILABILITY		
THP 165 S&S 6-speed manual	•	•
DIESEL ENGINE AVAILABILITY		
BlueHDi 120 S&S 6-speed manual	•	•



THE PERSONAL JOURNEY: OUTSIDE.

DS 3 PRESENTS A MULTITUDE OF WAYS TO MAKE IT A VERY PERSONAL CHOICE. ONCE YOU'VE CHOSEN FROM AN ARRAY OF BODY COLOURS, TAKE TIME TO CONSIDER A CONTRAST PACK TO ADD A PERSONAL TOUCH TO ROOF, DOOR MIRRORS AND WHEEL CENTRES.

> DOOR MIRROR COLOURS



> KEY COLOURS



ROOF COLOURS



BODY COLOURS



16" BLACK
'ASHERA'
ALLOY WHEELS
Tyres: 195/55 R16

17" BLACK
'BELLONE'
ALLOY WHEELS
Tyres: 205/45 R17

17" BLACK
'APHRODITE'
ALLOY WHEELS
Tyres: 205/45 R17

17" AMBRAIN GREY
'BELLONE'
ALLOY WHEELS
Tyres: 205/45 R17



(M) Metallic (P) Pearlescent

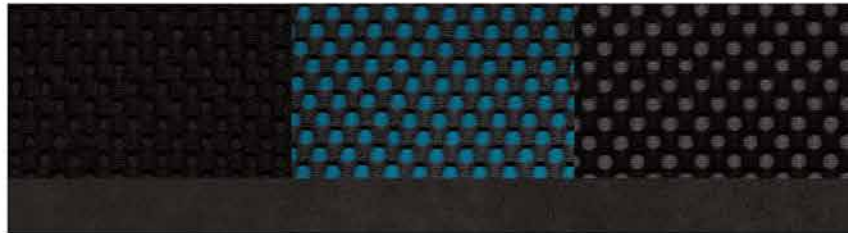
Please note: Colours and pictures shown are for illustration purposes only. Please consult your dealer for definitive information on availability of colour, trim, upholstery and options

THE PERSONAL JOURNEY: INSIDE. INDULGE YOUR SENSES INSIDE DS 3 AND CREATE AN INTERIOR THAT REFLECTS YOU. EVERY DETAIL CAN BE FINE TUNED TO YOUR TASTES.

> TRIMS



Mistral 'Rayados' cloth



Emerald, brown or black 'Akinen' cloth and black Alcantara®



Mistral 'Sturm' cloth



Black leather pack, blue and black leather pack or grey and black leather pack



Black and Alpine semi-aniline leather

> GEAR LEVERS



Black



Moondust



Black leather



White

> DASHBOARDS



FREEDOM TO EXPRESS YOURSELF.

ACCESSORISE YOUR DS 3 WITH A CHOICE OF SIX NEW ROOF DESIGNS, IN VARIOUS COLOURS TO PERFECTLY REFLECT YOUR PERSONALITY AND STYLE.

THESE UNIQUE ROOF DESIGNS ARE AVAILABLE AS ACCESSORIES. FOR MORE WAYS TO PERSONALISE YOUR DS 3 VISIT WWW.ACCESSORIES.CITROEN.CO.UK



EQUIPMENT SPECIFICATION

	DSign	DStyle	DStyle Nav	DSport	Ultra Prestige
INTERIOR TRIM					
Black 'Sturm' cloth	●				
Black 'Rayados' cloth		●	●		
Black 'Akinen' Alcantara® and black cloth	○	○	○	●	
Black and White Semi-Aniline Leather Pack with DS embossing					●
WHEELS AND TYRES					
16" black diamond cut 'Ashera' alloy wheels	●				
17" black diamond cut 'Bellone' alloy wheels	○	●	○	●	
17" Ambrain Grey 'Bellone' alloy wheels					●
17" black diamond cut 'Aphrodite' alloy wheels	○	○	●	○	
Compressor with puncture repair kit	●	●	●		
Space saver spare wheel	○	○	○ ¹	●	●
SAFETY & SECURITY					
ABS with Electronic Brakeforce Distribution and Emergency Braking Assistance	●	●	●	●	●
Electronic Stability Control (ESC)	●	●	●	●	●
Active City Brake		○	○	●	●
Driver, front passenger, front lateral and curtain airbags	●	●	●	●	●
Driver's unfastened seat belt warning	●	●	●	●	●
Front seat belt pretensioners	●	●	●	●	●
Five 3-point inertia reel seat belts	●	●	●	●	●
Remote central locking with deadlocks	●	●	●	●	●
Two rear ISOFIX mounting points	●	●	●	●	●
Cruise control with speed limiter	●	●	●	●	●
Immobiliser	●	●	●	●	●
Alarm				●	●
DS Connect Box emergency and assistance system		○	●	●	●
LIGHTING & VISIBILITY					
Height-adjustable halogen headlights	●	●	●		
DS LED Vision – Xenon headlights	○	○	○	●	●
LED Daytime Running Lights	●	●	●	●	●
Front fog lights	●	●	●	●	●
3D LED Rear lights	●	●	●	●	●
Electrically adjustable door mirrors	●	●	●	●	●
Electrically heated and folding door mirrors		○	○	●	●
Auto-dimming electrochrome rear view mirror		○	○	●	●
Automatic lights and windscreen wipers		○	○	●	●
Boot light	●	●	●	●	●
Front courtesy and reading lights	●	●	●	●	●
Interior mood lighting		●	●	●	●

Please check the DS 3 'Your Way' brochure for further equipment availability and cost.

- Standard equipment
- Optional factory fitted equipment

¹ THP 165 and BlueHDi 120 versions fitted with a spare wheel, rear spoiler and twin exhaust as standard.

² Gear Efficiency Indicator not applicable to automatic versions.

	DSign	DStyle	DStyle Nav	DSport	Ultra Prestige
STYLE					
EXTERIOR					
Polar White body colour	●	●	●	●	●
Contrast Pack	○	○	○	●	●
DS monogram roof graphic					●
Door mirrors:					
Roof colour painted door mirrors	●	●	●	●	
Roof coloured DS Laser engraved door mirrors					●
Chrome trim:					
Chrome side rubbing strips	●	●	●	●	●
Chrome front fog light surrounds	●	●	●	●	●
Chrome front grille surround	●	●	●	●	●
Chrome rear bumper insert	●	●	●	●	●
Door handles:					
Chrome door handles	●	●	●	●	
Body colour painted door handles					●
Other:					
Dark tinted rear windows	○	●	●	●	●
Rear spoiler			○ ¹	●	●
Single chrome exhaust tailpipe	●	●	●		
Double slash-cut chrome exhaust tailpipe			○ ¹	●	●
Coloured plip key insert	●	●	●	●	●
INTERIOR					
Black centre console & interior door handle surrounds	●				
Gloss black centre console & interior door handle surrounds		●	●	●	●
Leather door trim				●	●
Chrome gear surround		●	●	●	●
Leather handbrake with chrome insert		●	●	●	●
Gloss black gear knob	●	●	●	●	
Leather gear knob					●
Leather steering wheel	●	●	●	●	●
Satin chrome steering wheel inserts		●	●	●	●
Premium leather steering wheel finish				●	●
Aluminium sports pedals				●	●
Chrome door sill protectors	●	●	●	●	●
Dashboard:					
Soft-touch upper dashboard	●	●	●	●	●
Aluminium effect dashboard strip	●				
Gloss Black Kit (Gloss black dashboard and gear knob)		●	●		
Carbon Kit (Carbon fibre effect dashboard)	○	○	○	●	
White Leather Kit (White leather dashboard with DS embossing)					●

	DSign	DStyle	DStyle Nav	DSport	Ultra Prestige
COMFORT & CONVENIENCE					
Variable-assistance power steering	•	•	•	•	•
Sport suspension	•	•	•	•	•
Height and reach adjustable steering wheel	•	•	•	•	•
12v socket in cabin	•	•	•	•	•
Driver and passenger's sunvisor with courtesy mirror	•	•	•	•	•
Front electric windows	•	•	•	•	•
Air conditioning		•			
Automatic air conditioning		○	•	•	•
Front armrest		○	○	○	
Scented air freshener		•	•	•	•
Rear parking sensors		○	•	•	•
Reversing camera		○	○	○	•
DRIVER INFORMATION					
Tyre pressure monitor	•	•	•	•	•
Multi-function on-board trip computer	•	•	•	•	•
Rev counter	•	•	•	•	•
GEI (Gear Efficiency Indicator) ²	•	•	•	•	•
Exterior temperature display	•	•	•	•	•
'Black panel' on/off instrument lighting	•	•	•	•	•
SEATING					
Height-adjustable driver's seat	•	•	•	•	•
Height-adjustable front passenger's seat	○	○	○	•	•
Sports seats	○	○	○	•	•
Three rear head restraints	•	•	•	•	•
Rear split/folding seats	•	•	•	•	•

	DSign	DStyle	DStyle Nav	DSport	Ultra Prestige
STORAGE					
Front door pockets with bottle holder	•	•	•	•	•
Front seat back pockets		•	•	•	•
Lashing eyes in the boot	•	•	•	•	•
IN-CAR ENTERTAINMENT					
7" touchscreen		•	•	•	•
Hi-Fi System audio upgrade		○	•	•	•
eMyWay satellite navigation		○	•	○	•
Steering wheel mounted controls	•	•	•	•	•
RDS radio with 6 speakers and AUX socket	•	•	•	•	•
Dashmounted CD Player	•				
DAB digital radio (does not include CD player)		•	•	•	•
Bluetooth® handsfree and media streaming with USB socket	○	•	•	•	•



TECHNICAL SPECIFICATION



83.1mpg
on BlueHDi 100
S&S manual



87g/km CO₂
on BlueHDi 100
S&S manual

	PETROL ENGINES				DIESEL ENGINES	
	PureTech 82 manual	PureTech 110 S&S manual	PureTech 110 S&S EAT6 auto	THP 165 S&S 6-speed manual	BlueHDi 100 S&S manual	BlueHDi 120 S&S 6-speed manual
ENGINE						
Capacity (cc)	1199	1199	1199	1598	1560	1560
Cylinders	3	3	3	4	4	4
Max power CEE (kW/rpm)	60/5750	81/5500	81/5500	120/6000	73/3750	88/3500
Max torque CEE (Nm/rpm)	118/2750	205/1500	205/1500	240/1750	254/1750	285/1750
Fuel system	Multi-point electronic fuel injection	Multi-point electronic turbocharged fuel injection	Multi-point electronic turbocharged fuel injection	Multi-point electronic turbocharged fuel injection	High pressure direct turbocharged diesel injection	High pressure direct turbocharged diesel injection
Euro status	Euro 6	Euro 6	Euro 6	Euro 6	Euro 6	Euro 6
TRANSMISSION						
Four speed automatic			•			
Five speed manual	•	•			•	
Six speed manual				•		•
Clutch type	Dry single plate	Dry single plate	N/A (torque converter)	Dry single plate	Dry single plate	Dry single plate
<small>(All figures driver alone)</small> PERFORMANCE						
Max speed (mph)	108	118	117	135	117	118
0-62mph (secs)	12.3	9.6	9.9	7.5	10.8	9.3
Standing 1000m (secs)	33.9	31.0	31.4	28.2	32.5	30.8
<small>(Official Government test fuel consumption figures)</small> ECONOMY Litres/100km (mpg)						
	16" wheels	17" wheels				
Urban cycle	5.5 (51.4)	5.6 (50.4)	5.6 (50.4)	5.8 (48.7)	7.1 (39.8)	3.8 (74.3)
Extra urban	3.9 (72.4)	4.1 (68.9)	3.9 (72.4)	4.1 (68.9)	4.6 (61.4)	3.2 (88.3)
Combined	4.5 (62.8)	4.6 (61.4)	4.5 (62.8)	4.7 (60.1)	5.6 (50.4)	3.4 (83.1)
CO₂ EMISSIONS (g/km)						
	104	107	104	108	129	87
<small>Please note: the maximum plated weights must not be exceeded</small> WEIGHTS (kg)						
Kerb Weight	975	1070	1090	1140	1085	1150
Mass in service	1120	1205	1230	1225	1260	1225
Max laden weight	1496	1578	1615	1605	1633	1665
Max towing weight braked/unbraked	1100/520	1150/570	1150/570	1150/570	1150/570	1150/570
Max roof rack load	70	70	70	70	70	70
BRAKES						
	ESC and ABS with EBD and EBA standard on all versions					
Vent. discs/drums	Vent. discs/drums	Vent. discs/discs	Vent. discs/discs	Vent. discs/discs	Vent. discs/discs	Vent. discs/discs
STEERING						
	Variable power assisted steering					
Number of turns lock to lock	3.1	3.1	3.1	3.1	3.1	3.1
Turning circle between kerbs (m)	10.2	10.2	10.4	10.4	10.4	10.4
SUSPENSION						
	Pseudo MacPherson strut front with deformable beam rear					
FUEL TANK CAPACITY Litres (gallons)						
	50 (11.0)				48 (10.6)	
EXTERIOR DIMENSIONS (mm)						
Length/Width/Height/Wheelbase	3948/1715/1483/2464					
BOOT VOLUMES & DIMENSIONS						
Seats up – below parcel shelf max (litres VDA)	285					

MPG figures are achieved under official EU test conditions, intended as a guide for comparative purposes only, and may not reflect actual on-the-road driving conditions.

EFFICIENCY MINUS COMPROMISE.

DS HAS CREATED FUEL-EFFICIENT VEHICLES WITHOUT SACRIFICING DRIVER ENJOYMENT FOR SOME TIME. THE LATEST ADVANCES TAKE THIS FINE BALANCE FURTHER STILL...

WITH THE PROVEN CREDENTIALS AND ENVIRONMENTAL PERFORMANCE OF HDi DIRECT INJECTION ENGINES AS INSPIRATION, BlueHDi ADDS NEW TECHNOLOGY, SUCH AS A SMOOTH, SIMPLE STOP & START SYSTEM. STOP & START PUTS THE ENGINE INTO IDLE MODE AS YOU DECELERATE AND STOPS ALTOGETHER AS YOU COME TO A HALT. THE MOMENT YOU TAKE YOUR FOOT OFF THE BRAKE, IT RESTARTS SILENTLY AND WITHOUT VIBRATION. THE RESULTS ARE A DRAMATIC REDUCTION IN BOTH FUEL CONSUMPTION AND CO₂ EMISSIONS, COMBINED WITH RESPONSIVE PERFORMANCE WHEREVER YOU GO.

We've also been equipping more of our vehicles with more environmentally friendly breakthroughs, such as our Efficient Automatic Transmission (EAT6), which boasts impressively greener credentials, with less pollution than a conventional manual gearbox system. In addition, DS has expanded the use of the exceptionally efficient, self-regenerating Diesel Particulate Filter System in our models. Cleaner, greener driving without taking away from the drive – that's what you can continue to expect from DS.



> BlueHDi

Latest generation diesel engine technology from DS. BlueHDi complies with Euro 6 emission standards, to deliver exceptional fuel economy and CO₂ emissions and gives a driving experience rich in power and performance.

> PURETECH

Drive and performance from turbo charged 3-cylinder petrol engine technology. An engine with a unique personality, optimising torque at all revs to give driving pleasure and responsiveness, at any speed.

> ELECTRIFYING. HOWEVER YOU LOOK AT IT

Forget what you know about electric cars. Survolt concept combines undiluted glamour with advanced sporting dynamics, then adds a 100% electric drivetrain. Outside, LED lights, voluptuous curves, two-tone charcoal and fuchsia paintwork, and a race-inspired rear spoiler meet your gaze. Inside, a stunning blend of curved chrome, swooping glass, high technology and organic forms welcomes you to an entirely new place. But this is no simple styling exercise. At heart, Survolt is even more radical, because although it is designed to thrill, it is powered purely by silent, efficient, clean electricity.



All DS vehicles are designed to be 85% recyclable.

DRIVE YOUR WAY. GET BEHIND THE WHEEL OF YOUR NEW DS 3, WITH CITROËN'S RANGE OF FINANCE AND INSURANCE PRODUCTS.

CITROËN FINANCIAL SERVICES

PURCHASE PLAN

Own your vehicle with this flexible package designed to fit your budget.

ELECT 3

A new Citroën car every two or three years with monthly payments structured to suit your budget.

ELECT 4

Enjoy the convenience of a new car without the stress and hassle of ownership.

TO FIND OUT MORE ABOUT CITROËN PRODUCTS AND SERVICES, GO TO WWW.CITROEN.CO.UK OR CONTACT YOUR CITROËN DEALER.

FOR BUSINESS USERS

CITROËN CONTRACT MOTORING

HIRE PURCHASE

A tried and tested finance package that allows you to own your vehicle.

BUSINESS LEASE

An alternative to vehicle ownership that allows you to control your business cash flow and gain tax efficiencies.

LEASE PURCHASE

Own a vehicle with a finance solution that offers ultimate flexibility to complement your business cash flow.

CONTRACT HIRE

A non-ownership finance solution that keeps costs fixed and risks low.

FOR MORE INFORMATION ON CITROËN FLEET AND BUSINESS SALES, PLEASE CALL CITROËN FLEET CONNECT ON 08457 940 940 OR LOOK US UP AT WWW.CITROEN.CO.UK/FLEET

CITROËN INSURANCE

INSTANT COVER

To help you drive away your new car without delay, we offer Instant Cover insurance, providing you with 7 days comprehensive car insurance, for free!

MOTOR INSURANCE

Citroën Insurance has been designed specifically for our vehicles. You don't just get repairs you get Citroën expertise, service, quality and parts. So, when the time comes to renew your insurance cover, call Citroën Insurance on 0870 024 2725.

Lines open 8am - 8pm weekdays, 9am - 5pm Saturdays. Max call charge from a BT landline is 8p per minute. Calls from other networks may vary. Alternatively, visit www.citroen.co.uk for more information or to apply online.

Citroën Insurance is underwritten by UK Insurance Limited which is authorised and regulated by the Financial Conduct Authority. Citroën Insurance is a trading style of PSA Finance UK Limited Finance is provided by PSA Finance UK Limited trading as Citroën Financial Services (company registration number: 01024322) having its registered office at Quadrant House, Princess Way, Redhill, Surrey, RH1 1QA.

CARE FOR YOUR NEW DS 3 AND IT WILL LOOK AFTER YOU – LIKE EVERY DS IT'S PART OF LEGENDARY ENGINEERING HERITAGE WITH RELIABILITY BUILT IN.

WITH THE ADDED REASSURANCE OF A WARRANTY, ROUTINE SERVICING AND MAINTENANCE, AS WELL AS 24-HOUR ROADSIDE ASSISTANCE, YOU ARE PROTECTED.

CITROËN WARRANTY

Every new Citroën car has the benefit of a 3 year* warranty package, plus a 12 year anti-perforation** warranty and a 3 year paint warranty.

* 2 years' unlimited warranty. No-fee customer option of 1 year's Dealer provided warranty, only on cars sourced from Citroën UK Limited. Note: Dealer provided warranty is limited to 60,000 miles for cars.

** Against all internal to external perforation to bodywork or underbody.

CITROËN ASSISTANCE

In response to a free telephone call in the UK, Citroën Assistance brings rapid expert roadside assistance to you in an emergency. It comes free of charge for a full year and operates 24 hours a day in all parts of the UK and Europe. Services include nationwide recovery for both car and passengers, a home call service, replacement vehicle, hotel accommodation and vehicle storage if required. Please note, Citroën Assistance only applies to incidents covered by the new vehicle warranty, and excludes non-vehicle faults, such as running out of fuel, mis-fuelling, loss of keys, lock-ins, road traffic accidents and punctures/wheel changes.

Full details are available on request from Citroën UK via cuk_contactcentre@citroen.com

CITROËN MAINTENANCE

From roadside assistance to replacing wear and tear parts or regular servicing, with Citroën Maintenance you have total peace of mind. For a one-off fee or low monthly payment, our experienced engineers will take care of your Citroën, whatever happens.

To find out more, contact your Citroën Dealer or Citroën Authorised Repairer.

CITROËN SERVICING

Available up to 1 year from your vehicle's registration date, but before its first chargeable service, a Citroën Servicing Package enables you to pay in advance for your vehicle's servicing needs for 3 years/35,000 miles.

For further information, please contact your Citroën Dealer.

GLOSSARY

› BlueHDi DIESEL ENGINE

Latest generation diesel engine technology from DS. BlueHDi complies with Euro 6 emission standards, to deliver exceptional fuel economy and CO₂ emissions and gives a driving experience rich in power and performance.

› PURETECH ENGINE

Drive and performance from turbo charged 3-cylinder petrol engine technology. An engine with a unique personality, optimising torque at all revs to give driving pleasure and responsiveness, at any speed.

› EAT6 (EFFICIENT AUTOMATIC TRANSMISSION)

The new Automatic gearbox for DS. Developed in collaboration with Aisin AW, EAT6 uses Quickshift technology, for faster gear changes and smooth operation, delivering superb driving pleasure and exceptional fuel and CO₂ efficiency.

› ANTI-LOCK BRAKING SYSTEM (ABS)

Computer-controlled braking assistance designed to prevent the wheels from locking under extreme braking. This enables the car to continue being steered and therefore controlled during this braking incident. The DS 3's ABS system is further enhanced with EBA and EBD.

› ELECTRONIC BRAKEFORCE DISTRIBUTION (EBD)

A conventional ABS system cannot account for any of the four wheels wanting to lock more quickly than the others (for example, two of the wheels may be on snow and two on tarmac). EBD reads the deceleration rate of each wheel individually and applies the ABS principles accordingly.

› EMERGENCY BRAKING ASSISTANCE (EBA)

As drivers we find it difficult to instinctively brake very hard, but this is often what is needed in those rare emergency situations. The EBA system recognises our 'attempt' to brake hard and in combination with the ABS and EBD systems instantly applies the maximum stopping power possible.

› ELECTRONIC STABILITY CONTROL (ESC)

This is computer-controlled traction assistance and is provided primarily through the braking systems. The ESC's control unit constantly compares where the driver intends going (through the position of the steering wheel) with where the vehicle is actually going and, if necessary, makes speed corrections to each wheel individually through braking or engine torque to keep the vehicle 'in line'.

› EMYWAY SATELLITE NAVIGATION SYSTEM

The eMyWay satellite navigation system features a 7" screen and covers UK and Europe. Its in-built memory provides information about speed limits and lets you know which lane to use when reaching complex intersections. The system also lets you adapt your route based on traffic conditions, with data provided by Trafficmaster and ViaMichelin in the UK and France.

› ON-BOARD TRIP COMPUTER

The DS 3's multi-function on-board trip computer provides you with information at your fingertips. At the touch of a button you can view a range of data like fuel consumption, average speed and mileage possible at your current fuel level.

› VARIABLE POWER ASSISTED STEERING

A system that provides extra power assistance for a vehicle's steering at low speeds (such as turning a sharp corner) and less assistance during high-speed situations.

› DS CONNECT BOX EMERGENCY AND ASSISTANCE SYSTEM

In the event of an accident or sudden health problem, one push of the 'SOS' button will instantly contact the emergency services. If there's a more serious incident, SOS activates automatically. After a breakdown, one push on the 'chevron' button will alert Citroën Assistance, sending both location details and an initial fault report.

› RADIO DATA SYSTEM (RDS)

Traffic information on FM radio, allowing the station name and other information to be transmitted alongside audio information.

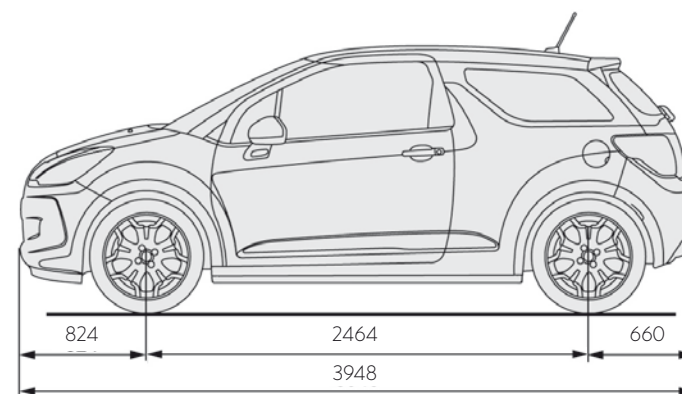
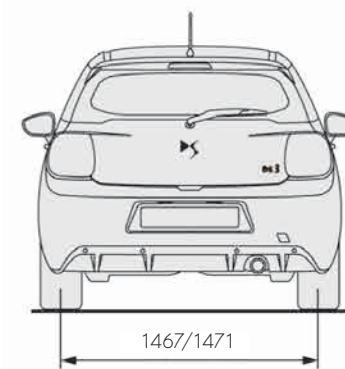
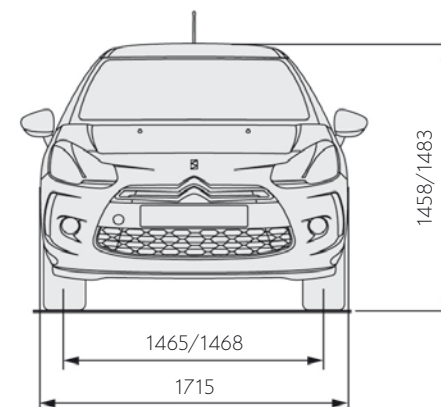
› FRONT SEAT BELT PRE-TENSIONERS

In the event of a crash, a pre-tensioner will tighten the seat belt almost instantaneously. This reduces the load on the occupant in a violent crash. Like airbags, pre-tensioners are triggered by sensors in the car's body, and use explosively expanding gas to drive a piston that retracts the belt. Seat belt pre-tensioners also lower the risk of 'submarining', which is when a passenger slides forward under a loosely worn seat belt.

› ISOFIX

A standardised and more simple method for installing child seats, each seat is 'clicked' into place via a three point system. On DS 3, Isofix is installed on the outer rear seats.

DIMENSIONS



All measurements are in millimetres.



DS AUTOMOBILES

DS *prefers* TOTAL

DS AUTOMOBILES. Pinley House, 2 Sunbeam Way, Coventry CV3 1ND.
www.driveDS.co.uk



This brochure is made from paper from a well-managed forest. DS support responsible use of forest resources.

Please don't throw me away, give me to a friend or recycle me.

NOTE: Every endeavour has been made to ensure that the information and details contained in this brochure were accurate at the time of going to press May 2015. However the company reserves the right, whilst preserving the essential characteristics of the models described, to introduce at any time modifications, changes of details, equipment or accessories. Every effort will be made to bring this brochure up to date, but in order to avoid any misunderstandings please consult your dealer. The DS website contains full information on DS product and offers at www.driveDS.co.uk. You can also contact DS via the website.