



MITSUBISHI
MOTORS

Drive@earth

PAJERO SPORT

GO. PLAY.





GO. PLAY.

Where adventure is waiting, where the future is calling, that's where the Pajero Sport is going. Born for off-road running, once you set it free nothing will hold it back. The new generation of SUV thinking, the Pajero Sport fuses the fun and comfort of urban driving with the heavy hauling and terrain-conquering toughness of off-road excitement. This is where your journey begins.



THE SCENIC ROUTE

Get ready for a new point of view. Combining a high seat position with a wide front windshield, the Pajero Sport gives you a commanding view of the surroundings with luxurious styling to make the ride more pleasant. The controls, meters and gearshift are all ergonomically arranged around the wheel for intuitive operation while driving. At the center of it all sits the meter cluster, attractively designed in red for maximum visibility in all conditions.



INNER ELEGANCE

SUVs have conventionally been known for off-road prowess and utilitarian cargo capacity rather than passenger comfort. Passengers stepping into the Pajero Sport, however, are in for a wonderful surprise. Greeted by leather seating with fully automatic climate control, the only thing more fun than experiencing a ride in the Pajero Sport is being in the driver's seat.



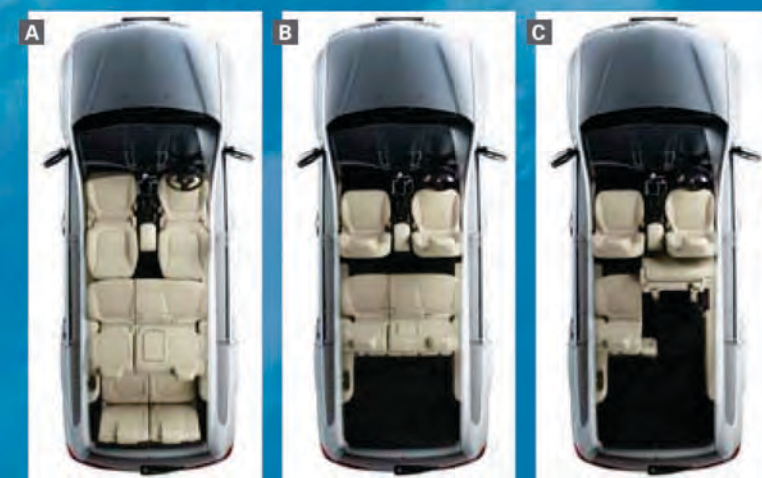


ROOM FOR MORE

Sometimes, instead of getting away from it all, you want to take it with you, and the Pajero Sport makes that easier than ever. The spacious cargo area can fit even extra-large cargo, and the folding rear seats give you the extra room to handle an additional set of suitcases, golf bags or whatever else you need to carry. And with the easy-opening tailgate, loading and unloading everything is a breeze.

FLEXIBLE UTILITY SPACE

Your life isn't one-size-fits-all, and your vehicle shouldn't be either. The Pajero Sport offers a flexible choice of seat arrangements for carrying extra large cargo, traveling with lots of friends, or any combination in between. And setting up the folding seats is a snap.

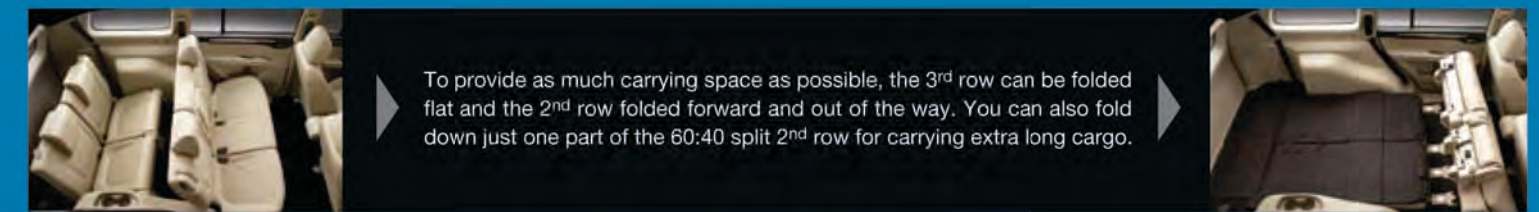


Seat Arrangements

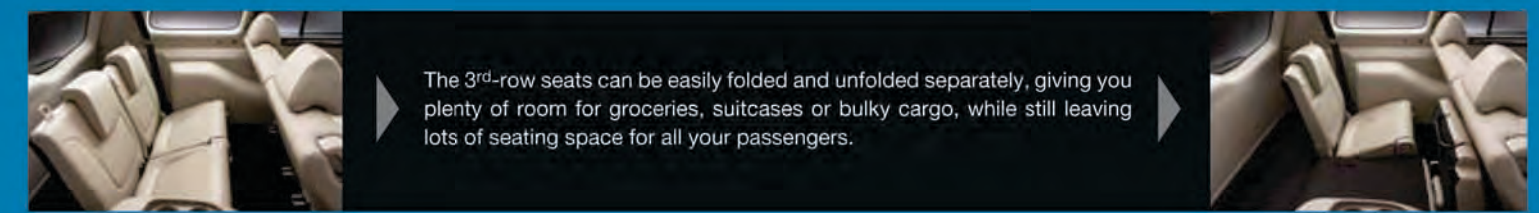
Your ride, your friends, your cargo, your choice. The Pajero Sport offers seating and carrying space as roomy as it is versatile, so you'll be ready no matter who or what is going with you. With all three rows set up, there's room for you and six passengers with ample storage space available at the rear. In addition, several other seating options are also possible:

- A** Fold the front row and 2nd row seats completely to the ground and create a comfortable sleeping area for when you need to take rest
- B** Fold the 3rd row seats flat to create a wide utility space while sitting, having room for five people
- C** Fold down part of the 60:40 split 2nd row to store very long items, and still have room for your passengers

Convenient Folding 2nd and 3rd row seats



To provide as much carrying space as possible, the 3rd row can be folded flat and the 2nd row folded forward and out of the way. You can also fold down just one part of the 60:40 split 2nd row for carrying extra long cargo.



The 3rd-row seats can be easily folded and unfolded separately, giving you plenty of room for groceries, suitcases or bulky cargo, while still leaving lots of seating space for all your passengers.

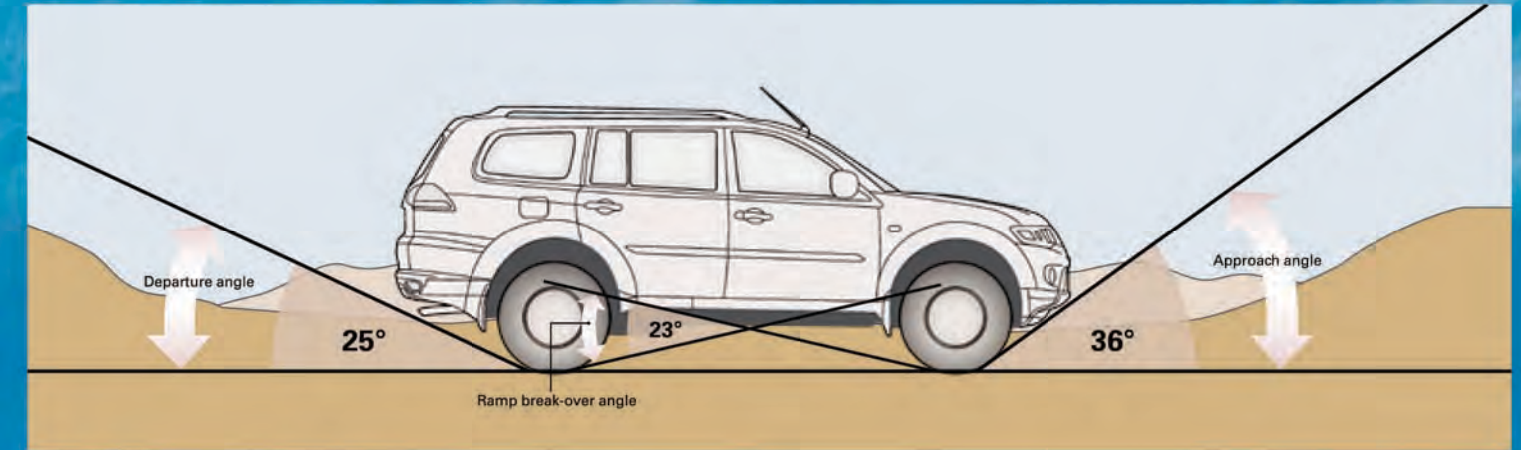
SOLID FOUNDATION

We've known for centuries that the earth isn't flat, and now the Pajero Sport lets you leave the pavement and see for yourself. With on-demand 4WD for sure traction, a torsion-resistant rigid ladder frame for improved stability and durable suspensions for maximum balance, even the most forbidding ground can be covered in confidence.



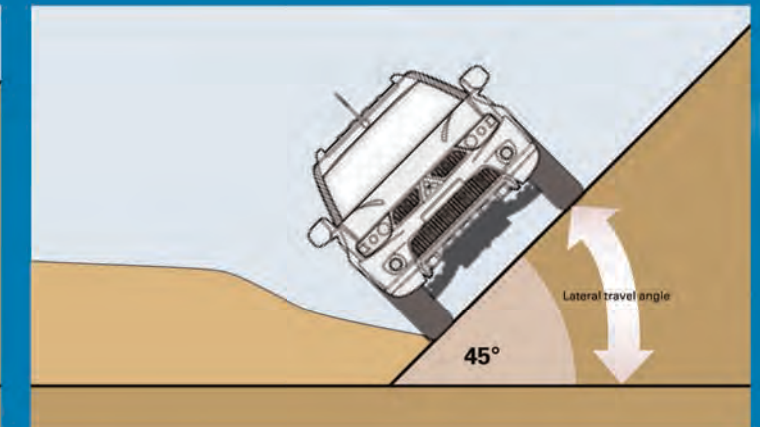
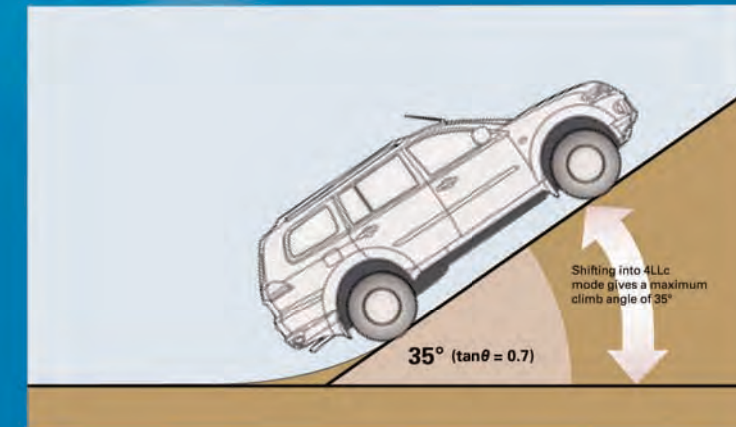
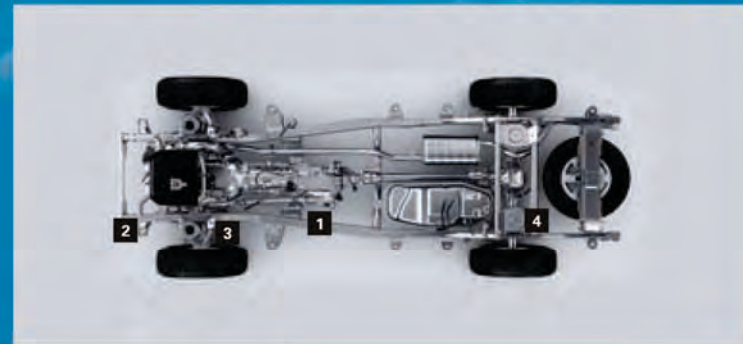
SUPERIOR TERRAIN HANDLING ABILITY

Some measure performance in seconds, some in millimeters. Mitsubishi measures it in obstacles overcome and goals reached. Because challenges come in all shapes and sizes. The Pajero Sport is designed to climb up, over, around and through the toughest terrain that nature can provide.



4WD TRACTION

A double-wishbone front suspension with coil springs combined with a 3-link coil spring rear suspension, both with stabilizer bars, give unmatched traction and stability with a high ground clearance for going off-road.



1 Tougher, lighter frame beams
The Pajero Sport uses beams made from thinner, lighter steel that provide all the strength of thicker beams, with less weight.



2 Impact-absorbing collapsible beams
Built within the frame, they help absorb collision energy before it can reach the cabin interior, providing added protection to occupants.



TIGHT MINIMUM TURNING RADIUS

The Pajero Sport's remarkably tight 5.6 m minimum turning radius gives drivers the ability to maneuver through tight spaces with ease.



DYNAMIC POWER

Whether cruising on the highway or climbing through a mountainpass, it all begins with power. To ensure that you're never without, the Pajero Sport features a 2.5-litre power plant, that's tough enough to meet every driver's needs. And because no two roads are the same, the super select 4WD lets you shift between drive modes for optimum performance.



2.5 VG TURBO

The Variable Geometry Turbo (VGT) delivers uncompromising power, right when you need it, while maintaining fuel efficiency by achieving an optimal turbo aspect ratio at any given speed. The VGT harnesses the power of the exhaust emissions, ensuring a constant delivery of fresh air to the engine for optimum output and performance.



2.5-LITRE 16-VALVE INTERCOOLED TURBOCHARGED DOHC COMMON RAIL DI-D

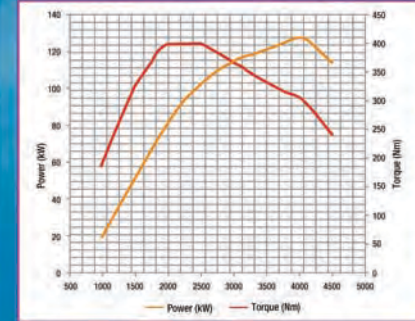


The source of the Pajero Sport's terrain – conquering power. Using a common rail direct injection system for higher power and improved fuel efficiency, the 2.5-litre diesel engine delivers an impressive 178 PS output. Common Rail direct injection feeds a high-pressure, precisely measured fuel supply directly to the cylinders, ensuring each receives the optimal amount. Electronically controlled injection with feedback optimizes fuel dispersion within the combustion chamber, allowing the system to make continual adjustments to always run at peak efficiency. The result is controlled power output, with minimal emissions.



The Common Rail fuel system delivers a precise, steady fuel supply to each cylinder, enabling maximum output with minimum waste for better efficiency and emission reduction. The computer-controlled feedback system allows for continual adjustment, ensuring peak performance at all times.

PERFORMANCE CURVES



Outstanding low-end torque and full-range performance

Max Output
131 kW (178 PS) / 4000 rpm
Max Torque
400 N-m / 2000 - 2500 rpm

POWER ENHANCING FEATURES GIVE THE 2.5-LITRE DI-D ENGINE THE ENERGY FOR HIGH-PERFORMANCE



16-Valve Layout

This arrangement creates a more complete air/fuel mixture and a steadier flow for constant high performance. The precisely balanced roller rocker arms and scissor gears provide exact valve timing for more powerful combustion.



Intercooler

The intercooler allows more air to be pumped to the cylinders for complete combustion and greater power. Positioned at the front of the radiator, this design gives the Pajero Sport an improved air-cooling performance.



SUPER SELECT 4WD

Mitsubishi's rally proven Super Select 4WD lets you move from smooth 2H mode highway performance to rugged 4H mode traction without breaking stride. With shift-on-the-fly convenience at up to 100km/h, the right driving mode is always at your fingertips.



2H
(2WD high range)

When you're cruising down the highway or just going across town, the 2H mode shifts you into rear wheel drive for a smooth, quiet, fuel-efficient performance.



4H
(4WD high range)

When the weather turns bad and the roads get slick, switch to 4H mode for added traction. The dynamic 50:50 front/rear torque split gives you greater control for high-speed driving.



4HLc
(4WD high range with locked center differential)

Keeping you on track even in rugged or slippery conditions, the 4HLc mode distributes power equally to all four wheels for off-road excitement with a steady sense of control.



4LLc
(4WD low range with locked center differential)

Switch to 4LLc when you need all the tractor-like crawling power you can get. Maximised low-end torque pulls you through even the roughest terrain, stickiest mud and steepest snow.



5-speed MT

The 5 speed manual transmission is for those who prefer to feel the control only a stick shift can give. The smooth lever movement and intuitive placement make shifting easy and confident.

CONFIDENT PROTECTION

Every adventure is a journey into the unknown, but that doesn't mean you can't be prepared. Even when things take an unexpected turn, the Pajero Sport is designed to protect you and your passengers, with an array of safety features from the Reinforced Impact Safety Evolution (RISE) body design to powerful brakes and front airbags for both, driver and passengers, so you can get out there and explore.



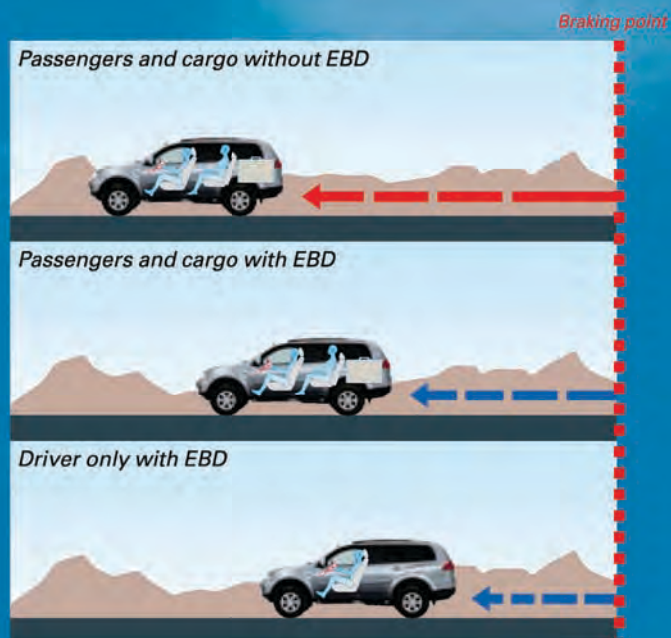
Front brakes 16-inch ventilated discs



Rear brakes 16-inch drum-in-disc

POWERFUL BRAKES WITH VACUUM BOOSTER

For quicker stopping in all conditions, the Pajero Sport features large front ventilated disc and rear drum-in-disc brakes. With an added vacuum booster to multiply emergency stopping power, drivers can now feel confident and safe even when conditions turn hazardous.



ABS WITH EBD

ABS keeps wheels from locking to maintain control of the vehicle during hard emergency braking, preventing slipping and skidding. Electronic-Brakeforce-Distribution (EBD) assists by redistributing braking force to the rear brakes as needed, enabling quicker stops even when carrying passengers and heavy loads.

COLLAPSIBLE STEERING COLUMN

The steering column helps protect drivers in frontal collisions by collapsing away from the interiors to reduce the chance of driver injury. The lower steering shaft compresses to absorb impact energy.

ELR SEATBELTS WITH PRETENSIONERS AND FORCE-LIMITERS

The front row, 2nd row side and 3rd row seats are equipped with ELR (Emergency Locking Retractor) seatbelts to hold occupants securely in sudden stops. In a collision, the front pretensioners tighten as the airbags deploy to minimize movement, while force-limiters then gently release, lowering the chance of injury.



ANTI-INTRUSION BRAKE PEDAL

The brake pedal folds forward and inward during a frontal collision to help protect the driver's legs.

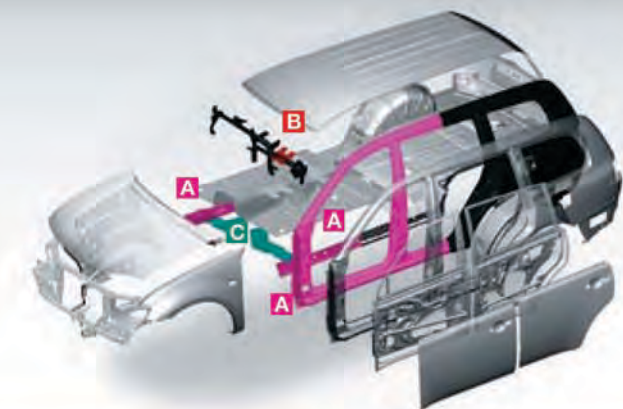
SIDE DOOR IMPACT BARS

Thick side bars along the doors resist impact force in the event of a side collision, helping to protect occupants.

EXTRA-STRONG BODY CONSTRUCTION

The Pajero Sport uses high tensile steel in key locations, creating an extra-rigid frame of beams and support pillars surrounding the cabin. The rigid beams help direct damage around and away from the interior in the event of a collision.

- A** Collapsible A-pillars absorb collision energy, so that less impact reaches the cabin interior
- B** Collapsible pedals reduce the risk of leg injury to the driver
- C** Underfloor beams redirect collision energy around the cabin



DUAL SRS AIRBAGS

Because accidents can happen even when driving safely, the Pajero Sport offers the protection of front SRS airbags for both, the driver and the front passenger. Used together with the 3-point ELR seatbelts with pretensioners and force-limiters, they provide an excellent degree of collision safety.



SPECIFICATIONS

	PARAMETER	SPECIFICATION
DIMENSIONS & WEIGHTS	Wheel base, mm	2800
	Overall width, mm	1815
	Overall length, mm	4695
	Overall height, mm	1840
	Min. ground clearance, mm	215
	Maximum GVW, kg	2710
	Kerb weight, kg	2065
ENGINE	Type	2.5L 16 Valve intercooled turbocharged DOHC common rail DI-D
	Displacement, cc	2477
	Max. Engine output, kW (PS) @ rpm	131 (178) @ 4000
	Max. Torque, Nm @ rpm	400 @ 2000-2500
PERFORMANCE	Departure angle, deg	25
	Ramp Break over angle, deg	23
	Approach angle, deg	36
	Lateral turning angle, deg	45
	Maximum gradeability, deg	35 deg. (tanθ=0.7)
	Min. turning circle radius, m	5.6
DRIVE SYSTEM	Type	Super Select 4WD
TRANSMISSION	Type / Model	Floor Shift, Manual operated, Synchromesh
	No. of gears	5 Forward ; 1 Reverse
SUSPENSION	Front	Double wishbone with coil spring suspension
	Rear	3 link, coil spring suspension
	Front & Rear	Stabilizer bars
BRAKES	Front	16" ventilated discs
	Rear	16" ventilated drum-in-discs
	Type	Hydraulic operated on all 4 wheels; 2 circuits front and rear split
STEERING		Rack & Pinion power assisted steering Low Tilt steering column
WHEEL & TYRE	Wheel rim size	17x7.5JJ Alloy
	Tyre size	265/65R17
FUEL TANK	Capacity, L	70

STANDARD EQUIPMENT AND FEATURES

INTERIOR	FRONT SEATS	Sporty beige leather seats
		Power seats for Driver
		Manual Sliding and Reclining Front passenger seat Convenience hook (Front LH & RH)
	2ND ROW SEAT	60:40 split Leather seats with Sliding and Tumble functions
		Center Armrest with cup holder
		Normal adjustable Headrest 2Pcs
	3RD ROW SEAT	50:50 Split (Separate) foldable Leather seats
	DOORS AND SIDES	Center door locking system
		Chrome inside door handle
		Key less Entry system (2 Transmitters)
Anti-trapping power window for driver		
Power windows		
Door courtesy lamp all doors		
Child proof rear door locks		
Formed type door trims with cloth insert		
Wood finish ornament on all doors		
Bottle holder and Armrest on all doors		
Front door pockets (both sides)		
Argent finish Power window switch panels		
Formed type headlining with Non-woven fabric		
HEADLINING	Driver side Sunvisor with Ticket holder	
	Passenger side Sunvisor with lidded vanity mirror	
	Front Room lamp with Map lamp and sunglass pocket	
	Rear room lamp	
	Coat hanger x 2	
	Retractable Assist Strap x 5 nos	
	Cargo room lamp	
CARGO ROOM & FLOOR	Needle punch carpet (front and rear)	
	Cargo floor box	
	Electric type tail gate opening	
	Tail gate full trim with upper trim	
	Accessory socket	
	Cargo room hook x 2	
	Leather wrapped steering wheel with audio control	
	Leather wrapped Gear shift & Transfer shift Knob	
COCK-PIT	Lever type parking brake with chrome release switch	
	Ignition key cylinder illumination	
	Combination meter cluster with chrome garnish	
	Light monitor buzzer	
	6 speakers (2 tweeter)	
	MP3 CD music player with USB port in Glove box	
	Cup holder for front seat	
	Cigarette lighter	
	Accessory socket on console	
	Removable Can type ash tray	
	INTERIOR	COCK-PIT
Large Floor console with storage box (with Lid) and wood print		
Lockable Glove box with Illumination USB port in glove box		
Front Auto Air conditioning & Rear Manual Air conditioning		
FRONT		Color key front bumper with center 3-dia mark
		Front foglamp with silver ring bezel
		Chrome front grille (vertical bar type)
		Projector type Halogen Headlamp with leveling
		Laminated windshield glass with shade band
		Windshield wiper with variable intermittent
	Front towing hook	
EXTERIOR	SIDES	Chrome plated power door mirrors with folding function
		Chrome outside door handles
		Door sash blackout
		Color key Side protection moulding
		Color keyed Over Fender (wheel arch moldings)
	Front and rear mud guards	
	Roof Antenna	
	Black Roof Rails	
	Tube type Side Steps	
	Wheel house black out	
REAR	Color key rear bumper	
	Rear towing hook	
	High mount stop lamp	
	Tailgate glass with hotwire (w/timer)	
	Tailgate Wiper & Washer with intermittent	
	Back warning system (Reverse sensor)	
	Chrome License plate garnish	
Color key Tailgate garnish		
SAFETY	AIR BAG	Driver's & Front Passenger's Front Airbags
	FIRST ROW SEATBELT	3 Point ELR seatbelt with pre-tensioner x 2 with adjustable seatbelt anchors
	SECOND ROW SEATBELT	3 Point ELR/ALR seatbelt x 2 + 2 Point Lap Belt x 1
	THIRD ROW SEATBELT	3 Point ELR seatbelt x 2
	PROTECTIVE FEATURES AND EQUIPMENT	Front & Rear side door impact bars
		RISE Body
Anti-intrusion brake pedal		
Collapsible steering column		
ABS, EBD and hydraulic brake booster		
Electronic immobiliser		
Crash detection door lock shut down		

STANDARD EQUIPMENT AND FEATURES



Chrome-plated vertical bar-type front grill



Front fog lamps



Chrome-plated power door mirrors with folding function



Rear intermittent wiper and washer



Black roof rails



High-mount stop lamp



Power windows



Chrome-plated rear license plate garnish



Silver front skid plate



265/65R17 tires with 17-inch light alloy wheels



5-speed manual transmission



Illuminated ignition key cylinder

STANDARD EQUIPMENT AND FEATURES



Driver's power seat



Multi-mode center information display



Front cup holders on floor console



Front door pockets with bottle holders



Accessory socket inside floor console box



Removable cup-type ashtray



Vanity mirror with lid for sunvisors



Front room lamp with map lamps



Door courtesy lamps (all side doors)



Sunglasses pocket on ceiling



AM/FM radio and CD player



2nd-row 3-point ELR seatbelt x 2 and 2-point center lapbelt x 1



3rd-row 3-point ELR seatbelt x 2



Color-keyed side protector moldings



Side steps



Front and rear mudguards



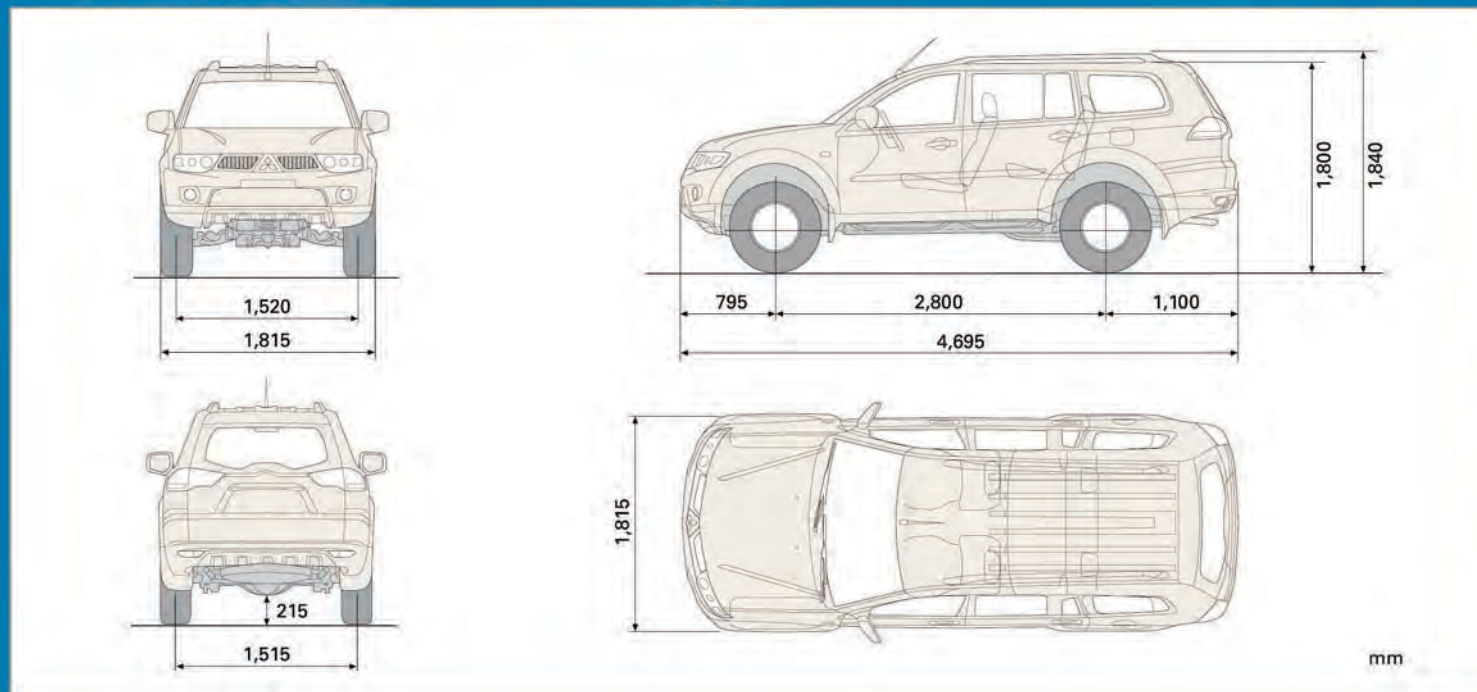
Windshield sunshade



Rear sensors

Note: Some of the equipment may vary in appearance or availability. Additional items shown are for illustration purposes only. Please consult your local dealer/distributor for more detailed information.

DIMENSIONAL VIEWS



BODY COLORS



Rugged Red



Earth Brown



Iceberg Silver



Himalayan White

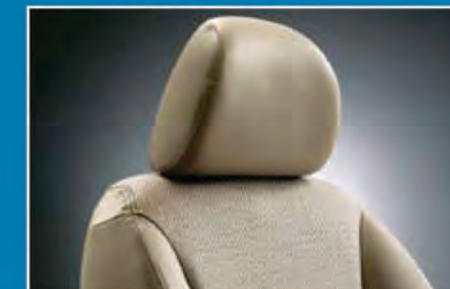


Pure Black



Storm Grey

SEAT MATERIAL



Beige leather



A NEW WORLD AWAITS

How can you truly know the world if you don't explore it?

There is more out there waiting to be discovered than we have ever imagined, and more to be experienced than we have ever dreamed possible. The Pajero Sport is ready to take you there. All you need to do is set your course and go play.





SMS Pajero<space>Name<Space>City to 54646 | Visit www.pajerosport.in | www.mitsubishi-motors.co.in

www.facebook.com/MitsubishiMotorsIndia | www.twitter.com/MitsubishiMotorsIndia | www.youtube.com/mitsubishimotorsIN



Hindustan Motors Ltd., Chennai Car Plant, Adhigathur, Kadambathur Tiruvallur District, Tamil Nadu-631 203
Tel : 044 2764 1400 Fax 044 2764 2029

Disclaimer: The specifications and the standard features detailed in this brochure may vary from the actual vehicle. The right to alter any specifications without prior notice rests solely with us. For more information, contact your nearest dealer.

For Private Circulation Only And Not For Commercial Use.

Dealer Stamp