



Book a [▶ test drive](#)
[▶ AMG test drive](#)



[▶ Find a Retailer](#)

CLS Coupé



Effective from December 2020 Production

Mercedes-Benz





Book a [▶ test drive](#)
[▶ AMG test drive](#)



[▶ Find a Retailer](#)

Contents

6 Standard equipment

7 Mercedes me

9 Model lines

12 Mercedes-AMG model

15 Driving Assistance
Plus package

16 Mercedes-AMG driver training

17 Model prices

18 Colours and materials

24 Wheels

25 Standard equipment

30 Genuine Accessories

32 Technical data

36 Road Fund Licence

37 Services and insurance

38 Mercedes-Benz Finance



Book a [▶ test drive](#)
[▶ AMG test drive](#)



[▶ Find a Retailer](#)



Some of the model features, optional extras and colours shown may not be available, or may only be available in a different specification.



Book a [▶ test drive](#)
[▶ AMG test drive](#)



[▶ Find a Retailer](#)



Some of the model features, optional extras and colours shown may not be available, or may only be available in a different specification.



Book a [test drive](#)
[AMG test drive](#)



[Find a Retailer](#)



Some of the model features, optional extras and colours shown may not be available, or may only be available in a different specification.



Book a [test drive](#)
[AMG test drive](#)

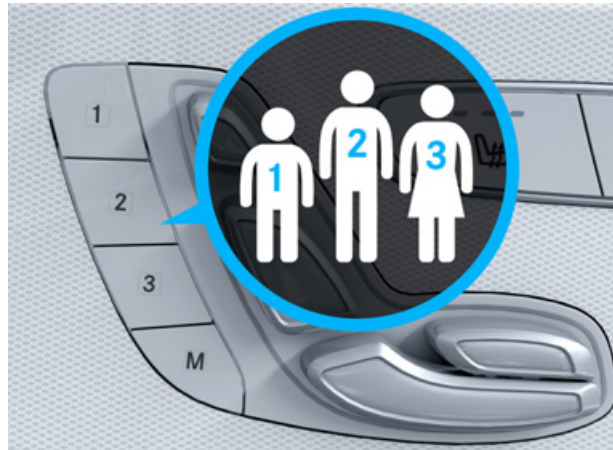


[Find a Retailer](#)

Standard equipment overview



MBUX multimedia system with DAB digital radio



Memory Package with 3-passenger memory



Parking package including Active Parking Assist and 360° camera



Burmester® surround sound system



Black leather upholstery with seat heating



MULTIBEAM Intelligent Light System with ULTRA RANGE high beam



Book a [test drive](#)
[AMG test drive](#)



[Find a Retailer](#)

Mercedes me connect Stay connected any time, anywhere.

Mercedes me is a range of innovative online services designed to enhance your Mercedes-Benz experience. Accessible via mobile, tablet or PC, Mercedes me lets you enjoy the highest standards of care and support, in a way that integrates seamlessly with your busy lifestyle.

Mercedes *me*

Safety and Service – Mercedes me connect helps to keep you and your car safe

Check your car's oil level, tyre pressure and fuel from your phone so you'll be ready for every journey.



Infotainment – Online and Entertainment services from Mercedes me connect

Love music? Get a 3-month free subscription to Tidal when you connect your car.

Live Traffic Information, Parked Vehicle Locator and much more with Mercedes me connect

Forgot where you've parked? Parked Vehicle Locator¹ will show you exactly where your car is as long as you're in a 1-mile radius of where you parked. Real-time traffic data and dynamic route with shorter journey times.

For more information speak to your local Retailer or visit the Mercedes me connect

store at shop.mercedes-benz.com/en-gb/connect

Comfort – connect to your car anytime, anywhere

Forgot to lock your car? With Remote Car Lock² you will receive a notification on your smartphone to let you know. With one tap, you can lock and unlock your vehicle so you never have to worry.



¹Available on all models with the Vehicle Monitoring package. This option may vary between standard and additional cost dependent on the model

²Part of the Vehicle Status package. This option may vary between standard and additional cost dependent on the model Images shown are for illustration purposes only



Mercedes-Benz User Experience (MBUX)

Transforming the in-car user experience, thanks to MBUX: Controlled via voice or touch input, the innovative infotainment system can over time even predict personal habits thanks to artificial intelligence.



MBUX multimedia system with DAB digital radio



Multi-gesture touchpad control

Voice control

- Activated by the keywords “Hey Mercedes”, the new intelligent voice control LINGUATRONIC¹ lets you control many of the infotainment functions, including destination input, phone calls or music selection
- MBUX is able to understand different accents and will adjust to you over time
- MBUX even understands indirect commands. Feeling chilly? Just say “I feel cold” and MBUX will adjust the temperature for you

Personalisation

- Turn the CLS into your very own Mercedes-Benz by personalising driving modes, radio stations and much more
- Your personal settings can be saved in up to seven different profiles, making your driving experience the best one possible
- Thanks to artificial intelligence, MBUX is able to learn and adapt over time. It will be able to predict your personal habits, such as navigation for frequently-driven routes, or the radio station you like to listen to on your way home from work

Touch inputs

- Beside voice control you can operate MBUX via touchscreen, the touchpad on the centre console, as well as touch control buttons on the steering wheel
- The touchpad recognises your handwriting should you wish to enter addresses or phone numbers silently

Maintenance and service

- Wondering when the next service is due? Or how much further you can drive until you need to stop at a petrol station? Just ask your MBUX – it will tell you the answer



Book a [▶ test drive](#)
[▶ AMG test drive](#)



[▶ Find a Retailer](#)

CLS Coupé AMG Line Night Edition Premium Plus





Book a [▶ test drive](#)
[▶ AMG test drive](#)



[▶ Find a Retailer](#)

The AMG Line Night Edition Premium Plus is equipped with comfort and technology features to enhance your journey on the road, such as MULTIBEAM Intelligent Light System with ULTRA RANGE highbeam, an electric sliding sunroof, KEYLESS-GO Comfort package and the Memory package, which saves the perfect set up for you, from seating position to

mirror settings. The interior dazzles with black leather, open-pore grey ash wood trim THERMOTRONIC automatic climate control and ambient lighting. Entertainment on demand is assured by the MBUX augmented reality for navigation, while the Burmester® surround sound system ensures an excellent listening experience.

Engine, Transmission and Suspension

AGILITY CONTROL suspension with selective damping system

DYNAMIC SELECT with a choice of driving modes

Exterior

20" AMG alloy wheels (4) - multi-spoke design

AMG bodystyling - front apron, rear apron and side skirts

Brake discs - perforated, with 'Mercedes-Benz' lettering

Cruise control and variable speed limiter

Electrically folding mirrors and dimming rear-view mirror

Electric sliding sunroof - electrically-operated sliding glass sunroof, providing additional light and ventilation into the car

MULTIBEAM Intelligent Light System with ULTRA RANGE highbeam

Night package

Privacy glass

Rain sensor with automatic headlight activation





Book a [▶ test drive](#)
[▶ AMG test drive](#)



[▶ Find a Retailer](#)

Model lines | AMG Line Night Edition Premium Plus

11

Interior

AMG Line floor mats

Ambient lighting, staged – 64 colours

ARTICO man-made leather upper dashboard and beltlines with contrast stitching; black roof lining

Brushed stainless steel AMG sports pedals with black rubber studs

Heated front seats with leather upholstery

KEYLESS-GO starting function

Memory package – four-way lumbar support; fully electric front passenger and driver's seats; storage of seat, steering wheel and exterior mirror settings

Seats – rear, split folding 40:20:40

Steering wheel – AMG 3-spoke multifunction steering wheel in black nappa leather with flattened bottom section, chrome inserts with touch-control buttons

THERMOTRONIC automatic climate control system with three climate zones

Communications, Safety and Assistance Systems

Active Brake Assist

Burmester® surround sound system – 13 speakers and a 9-channel amplifier with total output of 590 watts

DAB digital radio tuner

Lane Keeping Assist

KEYLESS-GO Comfort package – including hands-free access, automatic powered boot closing and keyless entry

MBUX augmented reality for navigation

MBUX multimedia system with DAB digital radio

MBUX voice control activated by keywords “Hey Mercedes”

Media display – high-resolution 12.3-inch multimedia colour display

Parking package including 360° camera – Active Parking Assist makes it easier to find and select a parking space as well as to enter or leave parallel and end-on parking spaces or garages. The 360° camera transfers a realistic image to the multimedia system's display, thus providing assistance when parking and manoeuvring

Touchpad with multitouch control

Widescreen (12.3 inch) cockpit display

Trim and Upholstery

Open-pore grey ash wood

Leather – black



Please refer to page 21 for the full range of trim and upholstery choices

OTR from **£58,925¹**

¹The recommended on-the-road price includes the Road Fund Licence applicable to the standard model plus delivery charge (£715.00 incl. VAT), new vehicle registration fee (£55.00) and number plates (£25.00 incl. VAT). VAT is calculated at the standard rate of 20%





Book a [▶ test drive](#)
[▶ AMG test drive](#)



[▶ Find a Retailer](#)

12

Mercedes-AMG CLS 53 4MATIC+ Night Edition Premium Plus





Book a [test drive](#)
[AMG test drive](#)



[Find a Retailer](#)





Performance, style, comfort – the CLS 53 4MATIC+ Night Edition Premium Plus has it all. Built with a 6-cylinder in-line engine, this CLS delivers 435 hp (320 kW) and 500 Nm maximum torque. The AMG bodystyling with the AMG Night package is a must, along with ‘TURBO 4MATIC+’ lettering on front wings, high-gloss black painted 20" AMG alloy wheels and an AMG-

specific radiator grille with integral Mercedes-Benz star and a single louvre in high-gloss black. Further details in high-gloss black, such as the exterior mirror housings, the front apron or the rear bumper add to the impressive look of this model line. The interior stands out with black nappa leather matched by open-pore grey ash wood trim.

In addition/replacement to AMG Line Night Edition Premium Plus:

Engine, Transmission and Suspension

AMG DYNAMIC SELECT with a choice of driving modes: Comfort, Sport, Sport+ and Individual

Exterior

- 20" AMG alloy wheels – 5-twin-spoke design
- AMG Night package
- AMG Performance exhaust system
- Black chrome-plated twin tailpipe trim elements
- Chrome trim in rear bumper in high-gloss black
- Exterior mirror housings in high-gloss black
- Front apron in high-gloss black
- Perforated front brake discs and brake calipers with ‘AMG’ lettering
- Radiator grille with integral Mercedes-Benz star and a single louvre in high-gloss black
- ‘TURBO 4MATIC+’ lettering on front wings
- Waistline trim strip in high-gloss black

Trim and Upholstery

Open-pore grey ash wood



Nappa leather – black



Please refer to page 21 for the full range of trim and upholstery choices

OTR from **£78,690¹**

Upgrade price from AMG Line Night Edition Premium Plus **£19,765**

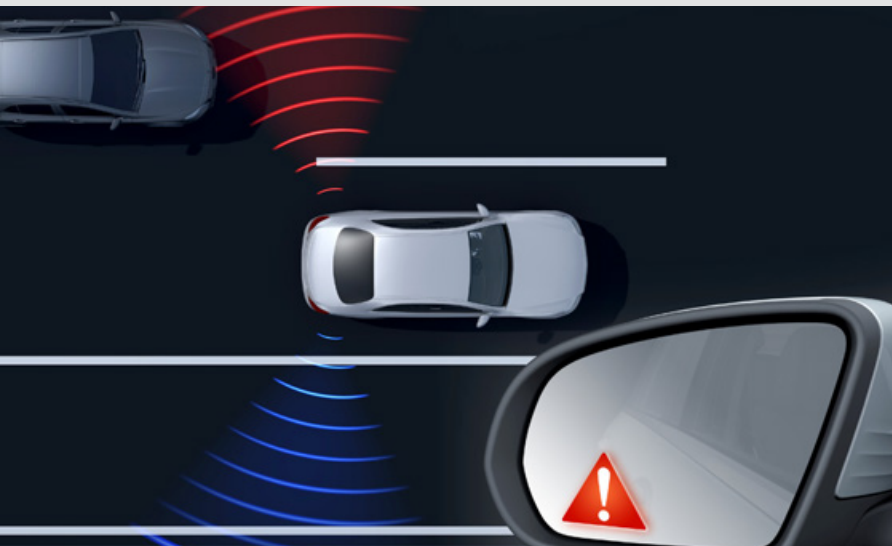
¹The recommended on-the-road price includes the Road Fund Licence applicable to the standard model plus delivery charge (£715.00 incl. VAT), new vehicle registration fee (£55.00) and number plates (£25.00 incl. VAT). VAT is calculated at the standard rate of 20%



Driving Assistance Plus package



Active Distance Assist DISTRONIC



Active Steering Assist

Driving Assistance Plus package (code P20) – designed and priced as a package, including items as listed below.

All models

Total incl. VAT £1,695.00

Driving Assistance Plus package comprises:

Active Blind Spot Assist can warn the driver of vehicles in the blind spot during a lane change and can help to avoid a collision by means of one-sided braking intervention

Active Braking Assist with cross-traffic function can help to avoid accidents with vehicles ahead, crossing traffic and also pedestrians, and/or mitigate their consequences

Active Distance Assist DISTRONIC helps maintain the desired distance from the vehicle in front with extended automatic re-start on motorways

Active Emergency Stop Assist: immediate emergency braking if evasion is impossible with SOS function

Active Lane Keeping Assist aids safe driving by monitoring the edges of the road and assists the driver with steering corrections to stay inside the lane

Active Speed Limit Assist ensures detected speed limits are automatically adopted as the set speed for Active Distance Assist DISTRONIC

Active Steering Assist: targeted steering intervention to prevent unintentional drifting out of lane

Evasive Steering Assist can support the driver in making evasive manoeuvres if, in a dangerous situation, he/she moves to avoid any pedestrian detected by the system

PRE-SAFE® PLUS incl. PRE-SAFE® Impulse Side when a rear-end collision threatens, PRE-SAFE® PLUS can initiate preventive measures, including warning following traffic and locking the brakes on standstill

Route-based speed adjustment: adaption of speed before curves, roundabouts and junctions with end of traffic jam function



Book a
▶ test drive
▶ AMG test drive



▶ Find a Retailer

Become the AMG expert

Unleash a new level of performance.

All Mercedes-AMG customers are invited to a complimentary adrenaline-packed driving experience, under the guidance of our driving specialists at Mercedes-Benz World.



Discover AMG at Mercedes-Benz World

- Individually tailored to your ability
- No previous track experience necessary
- See how well an AMG performs when pushed to its limits
- Put your theoretical driving knowledge to the test on a real track
- Understand the cause and effect of understeer, oversteer drift, collision avoidance and track etiquette
- Get to grips with the Mercedes-Benz World's purpose-built track and dynamic driving facilities

TERMS AND CONDITIONS

The following customers only are eligible: the first purchaser/registered keeper of a newly registered Mercedes-AMG. The complimentary Training as described in the brochure must be booked and taken within six months of delivery of your Mercedes-AMG. The Training is available Monday to Friday and is subject to availability. Requests for Saturday and Sunday will incur an additional charge. Upgrades are available for an additional cost: details upon request. Transferable to individuals who reside at the same postal address only. Mercedes-Benz Cars UK Limited reserves the right to amend or withdraw this Training experience. Attendees must hold a full UK driving licence. Attendees will be required to sign the Mercedes-Benz World Driving Risk Acknowledgement prior to undertaking the Training experience. The Training experience is also subject to the Mercedes-Benz World Terms and Conditions, as applicable. Invitation is emailed to the customer post-delivery. Permission via the customer contact preferences must be given to enable Mercedes-Benz World to contact. Retailer demonstrator vehicles are not eligible.



Model prices

Model line	Engine	Transmission	CO ₂ WLTP ^{1,*}	Basic RRP excl. VAT	Total RRP incl. VAT	Road Fund Licence WLTP ²	Rec. OTR price WLTP ³	P11D value	BIK tax rate 2020/21
AMG Line Night Edition Premium Plus	CLS 300 d 4MATIC Diesel – 1,951 cc, 4-cylinder, 265 hp/195 kW EQ Boost – 20 hp/15 kW	9G-TRONIC 9-speed automatic	168	£48,000.00	£57,600.00	£530.00	£58,925.00	£58,340.00	36%
	CLS 400 d 4MATIC Diesel – 2,925 cc, 6-cylinder, 340 hp/250 kW	9G-TRONIC 9-speed automatic	191	£55,329.17	£66,395.00	£1,305.00	£68,495.00	£67,135.00	37%
Mercedes-AMG Night Edition Premium Plus	Mercedes-AMG CLS 53 4MATIC+ Petrol – 2,999 cc, 6-cylinder, 435 hp/320 kW EQ Boost – 22 hp/16 kW	AMG SPEEDSHIFT TCT 9-speed transmission	216	£63,833.33	£76,600.00	£1,295.00	£78,690.00	£77,340.00	37%

¹The indicated values were determined according to the prescribed measurement method – Worldwide Harmonised Light Vehicle Test Procedure (WLTP). Figures shown may include options which are not available in the UK.

For Battery Electric Vehicles (BEV), figures determined with battery fully charged. These models require mains electricity for charging

*Figures shown are for comparability purposes; only compare with other cars tested to the same technical procedures. Figures may not reflect real life driving results, which will depend upon a number of factors including the starting charge of the battery, factory-fitted options, accessories fitted (post registration), variations in weather, driving styles and vehicle load. Further information about the test used to establish fuel consumption and CO₂ figures can be found at <http://www.mercedes-benz.co.uk/WLTP>

²A different first year rate of Vehicle Excise Duty (Road Fund Licence) applies for new cars. Please refer to page 36 for the relevant rate for the second and subsequent years

³The recommended on-the-road price includes the Road Fund Licence applicable to the standard model plus delivery charge (£715.00 incl. VAT), new vehicle registration fee (£55.00) and number plates (£25.00 incl. VAT). VAT is calculated at the standard rate of 20%



Book a [▶ test drive](#)
[▶ AMG test drive](#)



[▶ Find a Retailer](#)

Colours, trim and upholstery



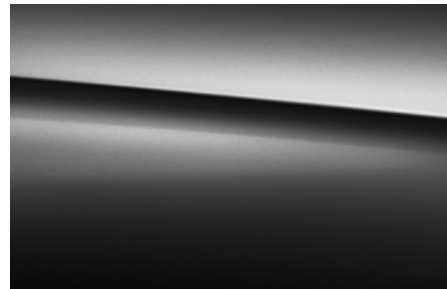


Non-metallic and metallic paints (standard and optional)

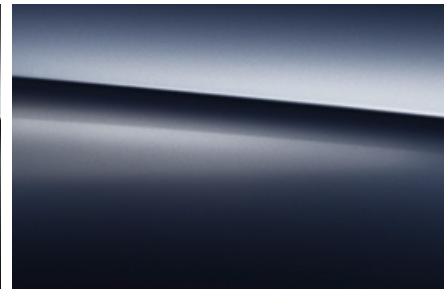
Total prices incl. VAT



149U polar white non-metallic **standard**



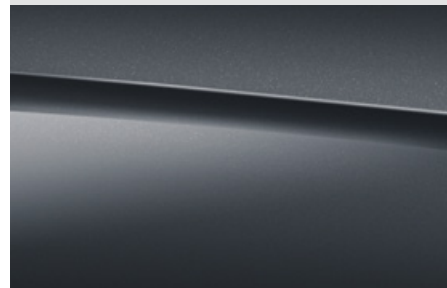
197U obsidian black metallic **£685.00**



890U cavansite blue **£685.00**



799U designo diamond white **£895.00**



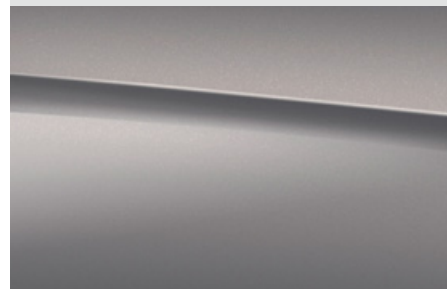
831U graphite grey metallic **£685.00**



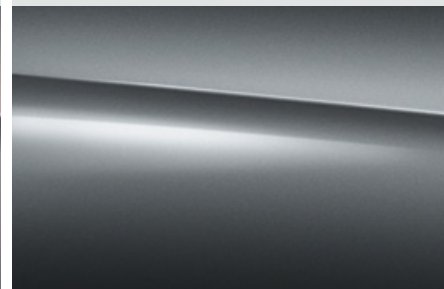
922U high-tech silver metallic **£685.00**



996U designo hyacinth red **£895.00**



859U mojave silver metallic **£685.00**



992U selenite grey metallic **£685.00**



Book a [▶ test drive](#)
[▶ AMG test drive](#)



[▶ Find a Retailer](#)

20

Special paint (optional)

Total prices incl. VAT



124U classic grey non-metallic¹

£2,850.00

¹Only available on the Mercedes-AMG CLS 53 Night Edition Premium Plus
Please note that, owing to limitations of on-screen representation, paint colours may differ from those shown



Book a [▶ test drive](#)
[▶ AMG test drive](#)



[▶ Find a Retailer](#)

Trim





Book a [test drive](#)
[AMG test drive](#)



[Find a Retailer](#)

Leather¹ (standard on AMG Line Night Edition Premium Plus)



211A black



205A beige (no-cost option) – round steering wheel replaces steering wheel with flattened bottom section



L5C steering wheel with flattened bottom section



L3B round steering wheel (only with 205A beige leather)

¹At least 80% of the seat upholstery is pure leather, while up to 20% may consist of man-made leather



Book a [▶ test drive](#)
[▶ AMG test drive](#)



[▶ Find a Retailer](#)

Nappa leather¹ (standard on Mercedes-AMG CLS 53 4MATIC+ Night Edition Premium Plus)



871A black with red contrast topstitching



875A macchiato beige/magma grey



877A bengal red/black

¹100% of seat upholstery is pure leather



Book a [test drive](#)
[AMG test drive](#)



[Find a Retailer](#)

Wheels



RVP 20" alloy wheels (4) – multi-spoke design, painted in black with a high-shine finish, front: 245/35 tyres, 8J x 19 ET33 wheels; rear: 275/30 run-flat tyres, 9J x 19 ET28 wheels

AMG Line Night Edition Premium Plus	●
Mercedes-AMG CLS 53 4MATIC+ Night Edition Premium Plus	-



RTZ 20" AMG alloy wheels (4) – 5-twin-spoke design, front: 245/35 tyres, 8J x 20 ET 10 wheels; rear: 275/30 sports tyres, 9J x 20 ET 28 wheels and TIREFIT with tyre inflation compressor

AMG Line Night Edition Premium Plus	-
Mercedes-AMG CLS 53 4MATIC+ Night Edition Premium Plus	●



Standard equipment

Item	AMG Line	NE Prem. Plus
Engine, Transmission and Suspension		
9G-TRONIC 9-speed automatic transmission	●	●
AGILITY CONTROL suspension with selective damping system and lowering by 15 mm	●	-
AMG DYNAMIC SELECT with a choice of driving modes: Comfort, Sport, Sport+ and Individual	-	●
DYNAMIC SELECT with a choice of driving modes: ECO, Comfort, Sport and Individual	●	-
ECO start/stop function	●	●
EQ Boost starter-alternator	-	●
Steering		
AMG Performance steering wheel in nappa leather	-	●
Direct-Steer speed sensitive steering	●	●
Steering column – power adjustable for height and reach	●	●
Steering wheel – AMG 3-spoke multifunction steering wheel with touch control buttons, trimmed in black nappa leather with flattened bottom section	●	-
Steering wheel – AMG 3-spoke multifunction steering wheel in black nappa leather with flattened bottom section and chrome inserts with touch-control buttons	-	●
Steering wheel – multifunction, with gearshift paddles	●	●
Steering wheel – touch-control buttons for audio and onboard settings	●	●

AMG Line NE Prem. Plus
 CLS 53 4MATIC+ NE Prem. Plus

Item	AMG Line	NE Prem. Plus
Exterior		
25-litre AdBlue tank (diesel engines only)	●	-
66-litre fuel tank (diesel engines only)	●	-
80-litre fuel tank (petrol engines only)	-	●
AMG bodystyling – front and rear aprons, side skirts in polished aluminium	●	-
AMG Night package	-	●
AMG Performance exhaust system	-	●
Black chrome-plated twin tailpipe trim elements	-	●
Chrome trim in rear bumper in high-gloss black	-	●
Electric sliding sunroof – electrically-operated sliding glass sunroof, providing additional light and ventilation into the car	●	●
Exterior mirrors – heated and electrically adjustable	●	●
Exterior mirrors – high-gloss black	●	●
Front apron in high-gloss black	-	●
Headlamps – MULTIBEAM Intelligent Light System with Adaptive Highbeam Assist Plus and ULTRA RANGE high beam	●	●
KEYLESS-GO Comfort package – including hands-free access, automatic powered boot closing and keyless entry	●	●
Mirror package – electrically folding mirrors and automatically-dimming driver’s exterior mirror and rear-view mirror	●	●
Night package	●	-

AMG Line NE Prem. Plus
 CLS 53 4MATIC+ NE Prem. Plus



Standard equipment

26

Item	AMG Line NE Prem. Plus	CLS 53 4MATIC+ NE Prem. Plus
Exterior (continued)		
Noise reducing absorber	●	-
Perforated front brake discs and brake calipers with 'AMG' lettering	-	●
Perforated front brake discs and brake calipers with 'Mercedes-Benz' lettering	●	-
Pre-installation for roof rail systems	●	●
Privacy glass - dark glass from B-pillar backwards	●	●
Radiator grille with integral Mercedes-Benz star - single louvre in high-gloss black	-	●
Radiator grille with integrated Mercedes-Benz star - single louvre in matt iridium silver with chrome trim	●	-
Rain-sensing windscreen wipers	●	●
Rear lights - LED	●	●
Spoiler lip	●	●
Tinted glass all round - green	●	●
Top surround of side windows in black	●	●
'TURBO 4MATIC+' lettering on front wings	-	●

Item	AMG Line NE Prem. Plus	CLS 53 4MATIC+ NE Prem. Plus
Visible twin-pipe exhaust system integrated into the bumper	●	●
Waistline trim strip in high-gloss black	●	●
Interior		
360° camera - four networked cameras in front grille, wing mirror and boot. Information from Active Parking Assist on vehicle contours shown, and rear guidelines included	●	●
Central stowage compartment with 12 V socket in centre console - replaced with USB socket in conjunction with optional wireless charging	●	●
Courtesy lights in rear grab handles with reading light functionality	●	●
Door pins in black	●	●
Electric windows (4) - with one-touch opening and closing, including obstruction sensors	●	●
Electronic key - chrome surround	●	●
Floor mats with 'AMG' lettering	●	●
Front centre armrest with stowage compartment	●	●
Glasses compartment in overhead control panel	●	●
Glove compartment - lockable, air-conditioned and illuminated	●	●
Head restraints for driver and front passenger (four-way adjustability) and in rear (two-way)	●	●
Instrument cluster - widescreen (12.3-inch) cockpit display, high-resolution screen with choice of three display styles	●	●



Item	AMG Line NE Prem. Plus	CLS 53 4MATIC+ NE Prem. Plus
Interior (continued)		
Interior 64-colour ambient lighting – dynamic multicolour LED lighting of trim on dashboard, centre console, front air vents, front and rear door panelling; in front and rear door pockets, cup holder and stowage compartment, rear footwell and rear door handle recesses. 10 colour palettes with various colour combinations, climate control effects with colour feedback, three unique ambient lighting settings based on display styles ‘Classic’, ‘Progressive’ or ‘Sport’, welcome light effect upon entry to cabin	●	●
KEYLESS-GO starting function	●	●
Memory package – four-way lumbar support; fully electric front passenger and driver’s seats; storage of seat, steering wheel and exterior mirror settings	●	●
Outside temperature display	●	●
Seat Comfort package – driver and front passenger seat electro-pneumatic four-way lumbar support and manual seat cushion depth adjustment (6 cm)	●	●
Seats – front, heated	●	●
Seats – rear, three seats	●	●
Seats – rear, split folding 40:20:40	●	●
Service indicator ASSYST	●	●
Sports pedals in brushed stainless steel with rubber studs	●	●
Sun visors with illuminated vanity mirrors	●	●
Stowage package – double cup holder in centre console for 2 × 750 ml, two fluorescent jackets, map pockets on rear of front seats. Bag hooks under parcel shelf, net on luggage compartment floor	●	●

Item	AMG Line NE Prem. Plus	CLS 53 4MATIC+ NE Prem. Plus
THERMOTRONIC automatic climate control system with three climate zones and three climate styles	●	●
Trip computer in multifunction display showing current fuel consumption	●	●
Paint, Trim and Upholstery		
Paint – non-metallic	●	●
Roof liner – black	●	●
Trim – centre console, grey open-pore ash wood	●	●
Trim – dashboard and door, grey open-pore ash wood	●	●
Trim – upper dashboard, ARTICO man-made leather with contrast topstitching	●	●
Upholstery – leather	●	–
Upholstery – nappa leather	–	●



Standard equipment

28

Item	AMG Line	NE Prem. Plus	CLS 53 4MATIC+ NE Prem. Plus
Safety and Assistance Systems			
Active bonnet – pedestrian safety measure which detects an impact and raises bonnet	●	●	
Active Brake Assist	●	●	
Adaptive brake lights	●	●	
Adaptive Brake System with HOLD function and brake drying in the wet	●	●	
Airbag – kneebag for driver	●	●	
Airbags – driver and front passenger, with extended adaptivity for front passenger airbag	●	●	
Airbags – sidebag for driver and front passenger (combined thorax/pelvis bag)	●	●	
Airbags – windowbags	●	●	
Alarm system with immobiliser and interior protection	●	●	
Anti-lock braking system (ABS)	●	●	
Attention Assist – can help alert to long journey fatigue	●	●	
Automatic child seat recognition sensor	●	●	
Brake wear warning display	●	●	
Central locking with interior switch, automatic locking and crash sensor with emergency opening function	●	●	
Childproof locks – manually operated for rear doors and electrically operated for rear power windows	●	●	
Cruise control with variable speed limiter	●	●	

Item	AMG Line	NE Prem. Plus	CLS 53 4MATIC+ NE Prem. Plus
Diesel Particulate Filter (DPF) – diesel models only	●	–	
Electronic parking brake	●	●	
Electronic Stability Programme (ESP®)	●	●	
First-aid kit and warning triangle	●	●	
Incorrect fuelling protection – diesel models only	●	●	
ISOFIX child seat attachment points – two outer rear seats	●	●	
Lane Keeping Assist	●	●	
Petrol Particulate Filter (PPF) – petrol models only	–	●	
Remote boot release	●	●	
Seat belts – three-point	●	●	
Seat occupancy sensor for front passenger seat	●	●	
Speed Limit Assist	●	●	
Status display for rear seat belts in instrument cluster	●	●	
Traffic Sign Assist – Traffic sign recognition including wrong-way warning function and display of posted speed limits in the instrument cluster	●	●	
Tyre pressure monitoring system	●	●	



Item	AMG Line	NE Prem. Plus	CLS 53 4MATIC+ NE Prem. Plus
Communications and In-Car Entertainment			
Burmester® surround sound system – 13 speakers and a 9-channel amplifier with total output of 590 W (7 × 50 W and 2 × 120 W)	●	●	●
DAB digital radio	●	●	●
High-resolution 12.3-inch multimedia colour display	●	●	●
Live Traffic Information (free for first three years)	●	●	●
MBUX augmented reality for navigation – to enable you to find your way in complex traffic situations, MBUX augmented reality for navigation connects the virtual world with the real world. The technology incorporates graphical navigation instructions and traffic information into live images. So you reach your destination quickly, safely and stress-free	●	●	●
MBUX multimedia system ¹	●	●	●
MBUX voice control activated by keywords “Hey Mercedes”	●	●	●
Mercedes me connect (standard services) Including emergency call system (eCall), accident recovery, breakdown and maintenance management	●	●	●
Mercedes me connect (vehicle monitoring) Geofencing Parked vehicle locator Vehicle monitoring Vehicle tracker Free of charge for first three years - extension possible and pricing information available via Mercedes me store	●	●	●

Item	AMG Line	NE Prem. Plus	CLS 53 4MATIC+ NE Prem. Plus
Mercedes me connect (vehicle set-up) Personal profile of your favourite settings Remote door locking and unlocking Remote retrieval of vehicle status Send to car function Free of charge for first three years - extension possible and pricing information available via Mercedes me store	●	●	●
Pre-installation for Vehicle Monitoring	●	●	●
Pre-installation for Vehicle Setup	●	●	●
Radio aerial integrated into rear window	●	●	●
Smartphone integration ² via Android Auto or Apple CarPlay®, Media Interface, USB and Bluetooth® interface	●	●	●
Touchpad without controller	●	●	●
USB ports (2) in centre console	●	●	●
Wireless charging ²	●	●	●

● Standard – Not available

¹LINGUATRONIC off-board functions are currently only available for three years

²Compatible mobile phone required. Please check www.mercedes-benz-mobile.com for details or contact your local Mercedes-Benz Retailer for further information



Book a
▶ test drive
▶ AMG test drive



▶ Find a Retailer

30

Genuine Accessories

We've developed a range of Accessories you can add to help personalise and enhance your CLS. Your local Mercedes-Benz Retailer can advise on fitting costs of Accessories, where applicable. Further information on our full range of Genuine Accessories can be found **here** on the Mercedes-Benz UK website.

01 | Head restraint modular system

Carefree travel with Mercedes-Benz Style & Travel Equipment. The head restraint elements are simple to fit and remove. The modular system centres around a base support which can be combined with a coat hanger, universal hook, folding table and tablet mount.

Base support (A0008103300): **RRP £23.50 (incl. VAT)**

Coat hanger (A0008103400): **RRP £68.00 (incl. VAT)**

Folding table (A0008160000): **RRP £108.00 (incl. VAT)**

Bag hook (A0008140000): **RRP £28.00 (incl. VAT)**

All the above accessories are subject to availability and compatibility. Please ask your Mercedes-Benz Retailer for more information

02 | Concertina load sill protector (A2536931900)

Protects the rear of the car from scratches when you're loading the vehicle – and prevents dirt from the car from getting onto your clothes. Practical design – can be connected to shallow boot tub or reversible mat.

RRP £40.50 (incl. VAT)





Book a [> test drive](#)
[> AMG test drive](#)



[> Find a Retailer](#)

03 | Shallow boot tub (A2578140100)

The boot tub is suitable for transporting shopping. The tub shape with its slightly raised edge is precision-tailored to the load area. Made from impact-resistant, non-slip polypropylene, its structured surface holds the separately available stowage crate in place. Deep boot tub also available.

RRP from £96.00 (incl. VAT)

04 | Stowage crate (A0008140400)

The robust plastic stowage box creates order in the boot. The box can be divided into two sections using the enclosed rigid dividing element and be combined with the Mercedes-Benz boot tub thanks to the ribbed structure at the bottom. Capacity: 51 litres.

RRP £87.00 (incl. VAT)

All the above accessories are subject to availability and compatibility. Please ask your Mercedes-Benz Retailer for more information



03

04



Technical data

Model		Diesel engines		Petrol engine
		CLS 300 d 4MATIC	CLS 400 d 4MATIC	Mercedes-AMG CLS 53 4MATIC+
Engine				
Total displacement	cc	1,992	2,925	2,999
Arrangement/cylinders/valves		in-line/4/16	in-line/6/24	in-line/6/24
Fuel delivery		Common-rail diesel with turbocharger	Common-rail diesel with turbocharger	Electronically controlled direct injection with turbocharger
Power ¹	hp (kW) at rpm			
Combustion engine		265 (195)/4,200	330 (243)/3,600-4,200	435 (320)/5,500-6,100
EQ Boost		20 (15)	-	22 (16)
Torque ¹	Nm at rpm			
Combustion engine		550/1,800-2,200	700/1,200-3,200	520/1,800-5,800
EQ Boost		tba	-	250/500
Compression ratio		15.5:1	15.5:1	10.5:1
Emissions standard		EURO 6D-ISC-FCM	EURO 6D-ISC-FCM	EURO 6D-ISC-FCM
Transmission				
9G-TRONIC PLUS 9-speed automatic		●	●	-
AMG SPEEDSHIFT TCT 9-speed transmission		-	-	●
Performance				
Acceleration 0-62 mph	sec	6.4	5.0	4.5
Top speed	mph	155 ²	155 ²	155 ²



Model	Diesel engines		Petrol engine
	CLS 300 d 4MATIC	CLS 400 d 4MATIC	Mercedes-AMG CLS 53 4MATIC+

Weights and capacities

Kerb weight ³	kg	1,905	1,935	1,980
Perm. Gross Vehicle Weight	kg	2,550	2,545	2,550
Boot capacity	l	520	520	490
Towing capacity – unbraked		750	750	750
braked	kg	1,900	1,900	1,900
Fuel tank capacity/of which reserve	l	66/7	66/7	80/7
Turning circle	m	11.90	11.90	12.45

Fuel consumption^{4,5,6}

Combined (consumption dependent on chosen optional equipment)	l/100 km	7.4	7.3	9.5
	mpg	38.2	38.7	29.7

Insurance

Group rating	tba	50E	50E
--------------	-----	-----	-----

Insurance ratings may vary depending on model line and specification. Please refer to <http://www.thatcham.org/abigrouprating/> for further details

³Figures according to Directive 92/21/EC (kerb weight with fuel tank 90% full, driver, 68 kg, and luggage, 7 kg) for standard-specification vehicles. Optional extras and accessories will generally increase this figure and reduce the payload capacity accordingly

⁴All figures are based on a standard specification with the smallest tyre size ⁵The choice of wheels and transmission may affect CO₂ emissions and corresponding Road Fund Licence

⁶The indicated values were determined according to the prescribed measurement method – Worldwide Harmonised Light Vehicle Test Procedure (WLTP). Figures shown may include options which are not available in the UK.

For Battery Electric Vehicles (BEV), figures determined with battery fully charged. These models require mains electricity for charging

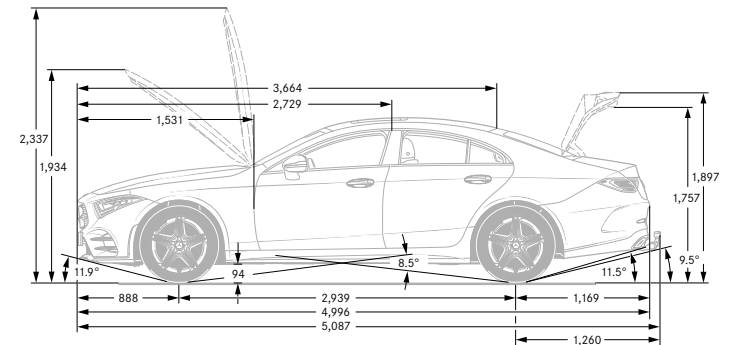
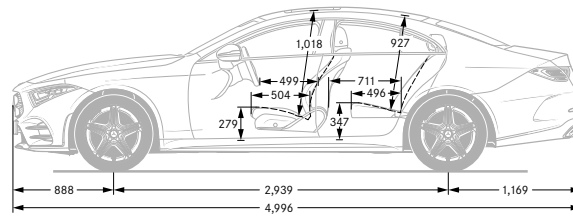
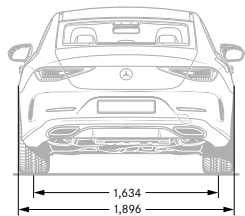
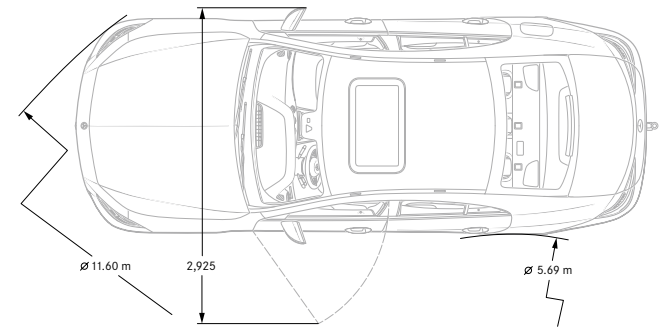
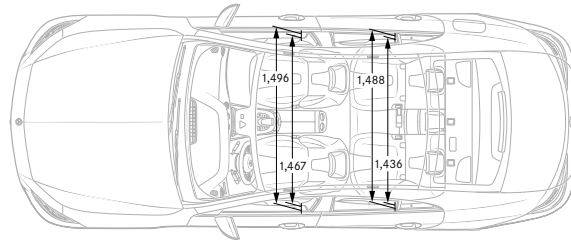
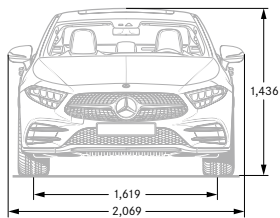


Book a [test drive](#)
[AMG test drive](#)



[Find a Retailer](#)

CLS AMG Line Night Edition Premium Plus



All measurements in millimetres. The dimensions shown are mean values and apply to standard-specification, unladen vehicles.
 The figures on pages 32–35 are correct at time of publication.

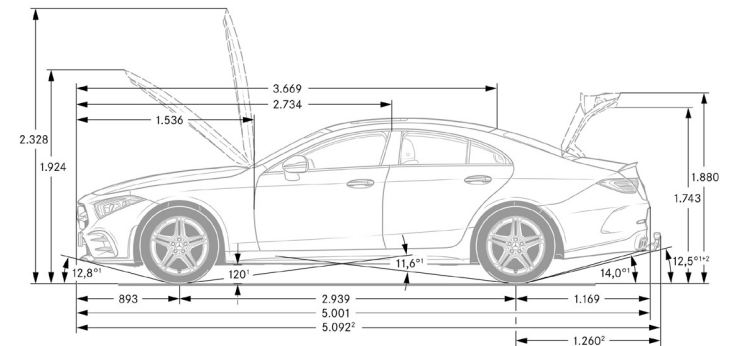
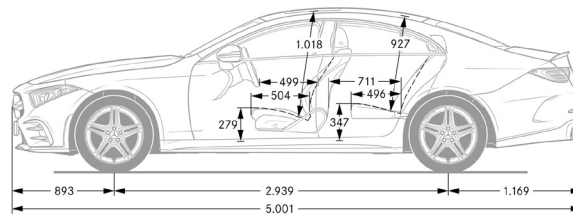
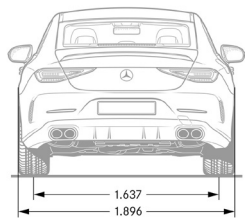
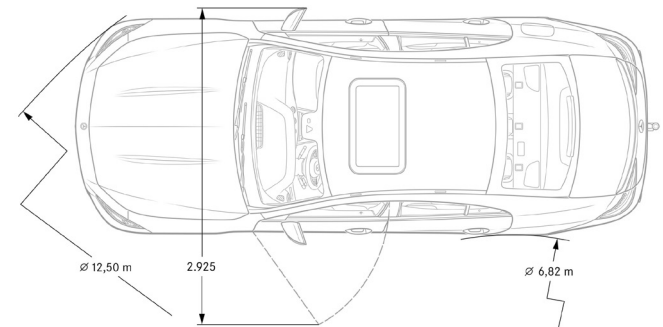
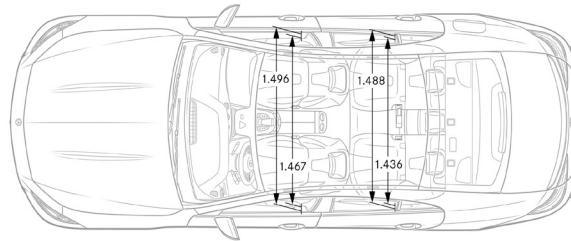
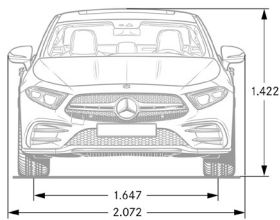


Book a [test drive](#)
[AMG test drive](#)



[Find a Retailer](#)

Mercedes-AMG CLS 53 4MATIC+ Night Edition Premium Plus



All measurements in millimetres. The dimensions shown are mean values and apply to standard-specification, unladen vehicles.
 The figures on pages 32–35 are correct at time of publication.



Road Fund Licence



All road vehicle registrations are subject to Vehicle Excise Duty (Road Fund Licence), which varies in accordance with the vehicle's CO₂ emissions. A first year rate for each taxation band will apply. The table below shows the bands (A–M) created by the DVLA and the corresponding Road Fund Licence. CO₂ emissions and the relevant Excise Duty are shown on the model pricing page 17.

Band	CO ₂ emissions (g/km)	First year rate petrol and RDE2 diesel (£)	First year rate all other diesel (£) ¹	First year rate alternative fuel (£)	Electric vehicles		Alternative fuel vehicles		Petrol/diesel vehicles	
					Standard rate (£)	Premium rate (£) ²	Standard rate (£)	Premium rate (£) ²	Standard rate (£)	Premium rate (£) ²
A	0	0.00	0.00	0.00	0.00	0.00	0.00	0.00	0.00	0.00
B	1 to 50	10.00	25.00	0.00	0.00	0.00	140.00	465.00	150.00	475.00
C	51 to 75	25.00	110.00	15.00	0.00	0.00	140.00	465.00	150.00	475.00
D	76 to 90	110.00	135.00	100.00	0.00	0.00	140.00	465.00	150.00	475.00
E	91 to 100	135.00	155.00	125.00	0.00	0.00	140.00	465.00	150.00	475.00
F	101 to 110	155.00	175.00	145.00	0.00	0.00	140.00	465.00	150.00	475.00
G	111 to 130	175.00	215.00	165.00	0.00	0.00	140.00	465.00	150.00	475.00
H	131 to 150	215.00	540.00	205.00	0.00	0.00	140.00	465.00	150.00	475.00
I	151 to 170	540.00	870.00	530.00	0.00	0.00	140.00	465.00	150.00	475.00
J	171 to 190	870.00	1,305.00	860.00	0.00	0.00	140.00	465.00	150.00	475.00
K	191 to 225	1,305.00	1,850.00	1,295.00	0.00	0.00	140.00	465.00	150.00	475.00
L	226 to 255	1,850.00	2,175.00	1,840.00	0.00	0.00	140.00	465.00	150.00	475.00
M	over 255	2,175.00	2,175.00	2,165.00	0.00	0.00	140.00	465.00	150.00	475.00

¹Applies to all Mercedes-Benz diesel models which do not comply with Real Driving Emissions step 2 (RDE2)

²Premium rate only applicable to vehicles where the list price is over £40,000 including any factory-fitted options, standard UK delivery charge, number plates, fuel and VAT



Services and insurance

Mercedes-Benz ServiceCare

We believe that servicing costs should be as flexible and affordable as possible for your CLS, which is why we offer ServiceCare, an easy way to budget for all your servicing costs. It spreads your bills into manageable payments based on whether you have a new or used Mercedes-Benz.

With ServiceCare we guarantee the price of parts and labour for up to four services and safeguard against any further inflation. It also covers the cost of all recommended service items including brake fluid, spark plugs, air filters, fuel filters and screen wash.

You can choose either to add your servicing costs into your monthly spend or pay the full amount in a one-off payment, giving you peace of mind that they are taken care of for the period of the plan.

To receive a personalised ServiceCare plan recommendation visit the ServiceCare Calculator at servicecarerates.mercedes-benz.co.uk

Warranty and breakdown cover

Every Mercedes-Benz comes with a three-year unlimited mileage warranty against manufacturing or material defects¹ and up to 30 years warranty against perforation due to corrosion from the inside out.² What's more, it's also covered by Mercedes-Benz Roadside Assistance – a unique package comprising up to 30 years pan-European breakdown assistance.²

Motor Insurance

Superb cover comes as standard. When reviewed by an independent research company, Defaqto, Mercedes-Benz Motor Insurance received a five-star rating, the highest rating available. We design our Motor Insurance specifically for Mercedes-Benz drivers.

For more information or to obtain a quote, click [here](#).



Mercedes-Benz Finance

Why should you finance with Mercedes-Benz?

At Mercedes-Benz we believe a great driving experience should be matched by an equally great ownership experience. That is why we put just as much thought, time and effort into designing our finance options, our service plans and our insurance cover as we do into our vehicles.

We are not in the business of simply providing a loan to fund the purchase of your dream vehicle. We look on it as a journey that we take with you, from the moment you choose your new Mercedes-Benz, to helping you in choosing your next one.

If you would like to find out more about any of our current offers, simply call into your local Mercedes-Benz Retailer where one of our Business Managers will be more than happy to talk you through anything you need to know.

Helping you find the right solution.

You should find our finance packages are more convenient than a traditional personal loan because:

- Funds are immediately available – no waiting for cheques or loans to clear.
- There is no security required – either against your home or other assets.
- We have clear and transparent rates – the APR we quote is the APR you get.
- We have friendly Business Managers – experts in vehicle finance who can talk you through all of your plans in detail.

One of our most popular finance products is Mercedes-Benz Agility (our Personal Contract Purchase product). We also offer Contract Hire, Operating Lease and Hire Purchase solutions. If you would like to find out more about these speak to your Retailer or visit www.mercedes-benz.co.uk/fandi.

Mercedes-Benz Agility (our PCP product).

At the start of an Agility agreement, you put down a deposit and decide the term of your agreement and your annual mileage. You will be advised of the Guaranteed Future Value, which offers you the reassurance of knowing exactly what you will need to pay to own the vehicle outright in the future (this is known as the Optional Purchase Payment).

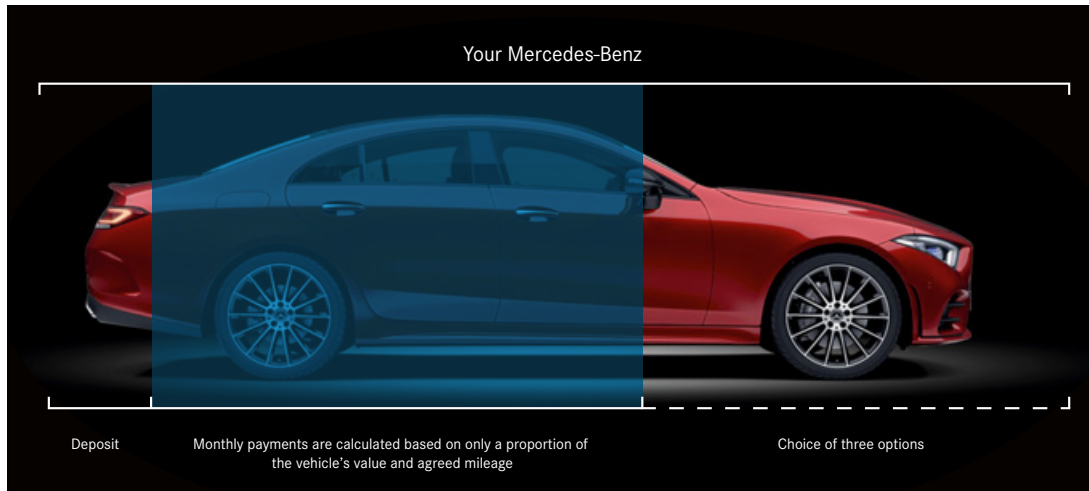
Throughout your agreement you simply pay your agreed monthly payments and when the agreement comes to an end you either purchase, hand back or part-exchange your vehicle.





Agility features:

- Fixed regular payments mean you can easily budget.
- Payments are based only on a proportion of the vehicle's value, keeping your monthly payments lower.
- Our Guaranteed Future Value avoids the risk of unplanned depreciation of your vehicle.
- You defer your ownership decision until the end of the agreement.



At the end of your agreement you have three options to choose from.

Option 1: Purchase your Mercedes-Benz.

Purchase your Mercedes-Benz by paying the Optional Purchase Payment and Purchase Activation Fee.¹ This will complete the purchase of your Mercedes-Benz, leaving you free to simply enjoy your vehicle.

Option 2: Hand back your Mercedes-Benz.

If you decide to return your vehicle to us, it must be in line with our Vehicle Return Standards,^{*} as vehicle condition, excess mileage and other charges may be payable.

Option 3: Part-Exchange for a new vehicle.

Purchase your Mercedes-Benz by paying the Optional Purchase Payment and Purchase Activation Fee.¹ This will complete the purchase of your Mercedes-Benz, leaving you free to part-exchange for a new vehicle.

¹Please note the 'Purchase Activation Fee' of £10 will be debited from your account *To find out more information about our Vehicle Return Standards please visit <http://mercedes-benz.co.uk/vrs>





Book a [▶ test drive](#)
[▶ AMG test drive](#)





[▶ Find a Retailer](#)

Follow us on the following social media channels:

 facebook.com/mercedesbenzuk

 twitter.com/mercedesbenzuk

 youtube.com/mercedesbenzuk

 instagram.com/mercedesbenzuk

Effective from December 2020 Production. Information correct at time of publication 18.01.2021.

Prices and specifications are subject to change without prior notice.

MBC257PL/0121 MY801.5

Mercedes-Benz Cars UK Limited, Tongwell, Milton Keynes, MK15 8BA. Company number 2448457 www.mercedes-benz.co.uk