

MERCEDES X-CLASS BY KAHN





MERCEDES X-CLASS

The X-Class brings to the LCV market the luxurious style expected from the Mercedes-Benz passenger car market. Three carefully selected opulent upholstery and 4 sleek trim choices allow you to customise your vehicle to best represent your personal style. The most customisable pickup interior on the market – the widest choice of interior trim options and genuine accessories, for an X-Class experience that's truly yours.

Benefitting from high spec connectivity and entertainment technology; The X-Class is equipped with a 7" high-resolution colour screen with a touchpad, Bluetooth, DAB radio, reverse camera and Inbuilt capabilities to support Garmin® MAP PILOT route guidance. Now with "Mercedes Me" the latest automotive technology available from Mercedes-Benz.

Fully refined on the outside, fully refined inside. Every inch a premium product, the X-Class has a sleek interior with a choice of leather, aluminum or wood appearance trim. This is complemented by a variety of high spec fabrics and linings such as black tunja on PURE, black fabric on PROGRESSIVE or a choice of leather on POWER.

Every inch ergonomically considered from the adjustable, lumbar support seats, to the instrument dials. Thanks to enhanced sound insulation, the pick up is even considerate of hearing; this is one of the quietest pickups around.















EXTERIOR STYLING

Kahn Design offers an array of exterior upgrades to customise the style and shape of your vehicle.

All our body components are precision designed by our team of 3D modellers and graphic artists to ensure a perfect fit to the Mercedes X-Class, and manufactured in the highest quality materials including carbon composite.

For the ultimate in personalisation, our “Colours of Kahn” service allows you to commission a full professional respray of your chosen vehicle in a colour of your choice.

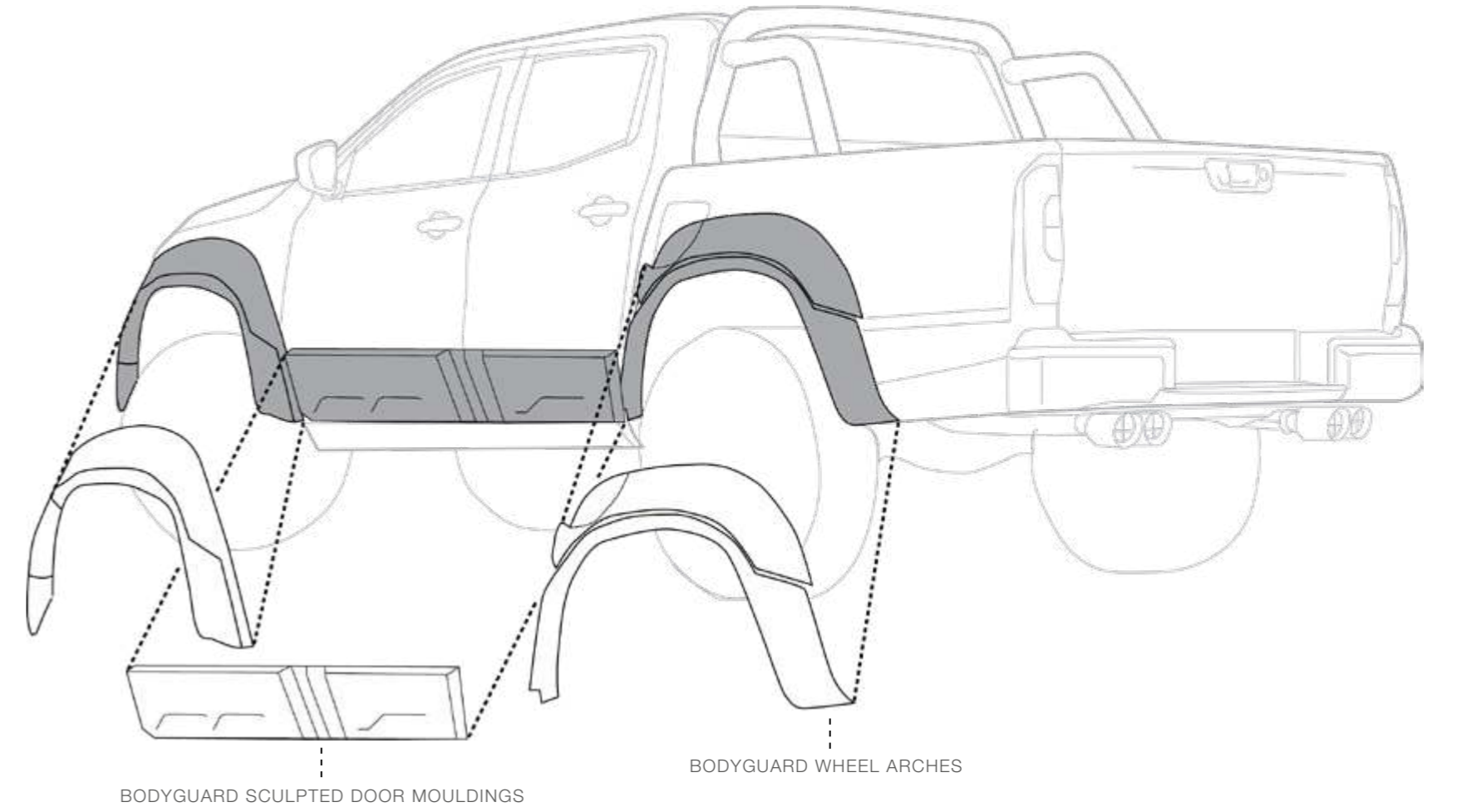
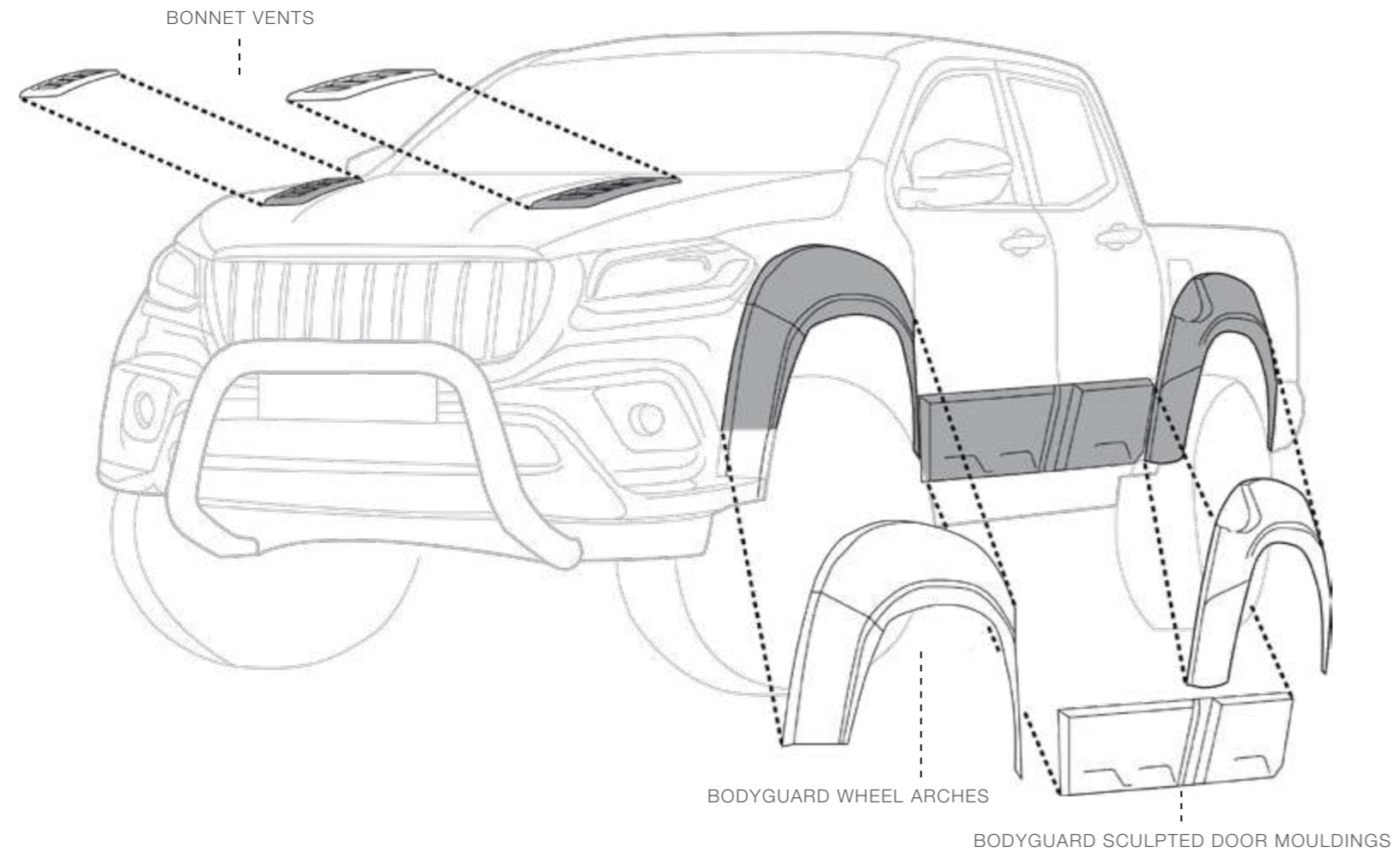
BODYGUARD ADDITIONAL COMPONENTS

	EXTERIOR COMPONENTS	RETAIL	
	X-Class Bodyguard Bodykit Front & Rear Wide Wheel Arches, Bonnet Vents, Sculpted Door Mouldings	£1,500 .00	+ VAT
	Optional Extras		
	1 LED Roof Light Bar	£916.67	+ VAT
	2 Front Concept Grille	£900.00	+ VAT
	3 Front GT Grille	£699.00	+ VAT
COMING SOON {	4 Bonnet Vent Bulge (requires donor bonnet) (Painted and Fitted – only available in house at Kahn Design)	£1,650.00	+ VAT } COMING SOON
	5 Front Bumper A Bar (Black)	£699.00	+ VAT
	6 Front Bumper A Bar (Chrome)	£699.00	+ VAT
	7 Rear Styling Bar (Black)	£799.00	+ VAT
	8 Rear Styling Bar (Chrome)	£799.00	+ VAT
	9 Concept Rear Styling Bar	£1650.00	+ VAT

	EXTERIOR COMPONENT	RETAIL	
10	Quad Crosshair Exhaust System in Stainless Steel	£1,399.00	+ VAT
11	2.5 inch Suspension Lift	£1,495.00	+ VAT
12	Deployable Electric Side Steps	£1,495.00	+ VAT
13	Front Lower Bumper Bar (Cannot use in conjunction with Front Bumper A Bar)	£499.00	+ VAT
14	Bodyguard Bonnet Vents	£300.00	+ VAT
15	Bodyguard Front & Rear Wheel Arches	£1,000.00	+ VAT
16	Bodyguard Sculpted Door Mouldings	£600.00	+ VAT
	Wheels (designed to accommodate existing hardware)		
	22" G06 Diamond Finish Alloy Wheels (Set of 4)	£1,582.52	+ VAT
	22" G06 3D Texture Finish Alloy Wheels (Set of 4)	£2,000.00	+ VAT
	22" RS Black/Red Stripe Alloy Wheels (Set of 4)	£1,499.16	+ VAT
	22" RSX Diamond Stroke Alloy Wheels (Set of 4)	£1,665.84	+ VAT
	285/45/22" Tyre Recommendation	£190.00	+ VAT

**Enquire for fitting and painting prices

BODYGUARD ADDITIONAL COMPONENTS



EXTERIOR STYLING
ADDITIONAL COMPONENTS



Front GT Grille (with M star)

01



Front Concept Grille

02



Front GT Grille

03

EXTERIOR STYLING
ADDITIONAL COMPONENTS



Bonnet Vent Bulge
 (requires donor bonnet)

04



Front Bumper A Bar (Black)

05



Concept Rear Styling Bar

09



Quad Crosshair Exhaust System in Stainless Steel

10



2.5 inch Suspension Lift

11



Front Bumper A Bar (Chrome)

06



Rear Styling Bar (Black)

07



Rear Styling Bar (Chrome)

08



Deployable Electric Side Steps

12



Front Lower Bumper Bar
 (Cannot use in conjunction with Front A Bar)

13

EXTERIOR STYLING
ADDITIONAL COMPONENTS



Bodyguard Bonnet Vents

14



Bodyguard Front & Rear Wheel Arches

15



Bodyguard Sculpted Door Mouldings

16



LIGHT ALLOY WHEELS

We've been designing and manufacturing wheels for over two decades, and over that time our output has centred around simple yet powerful designs which integrate with the aesthetic of the vehicle to which they're fitted, adding style and elegance.



9.5" X 22" RS
SATIN BLACK & DIAMOND
£1,499.16 + VAT
(SET OF 4)



9.5" X 22" RSX
SATIN BLACK & DIAMOND
£1,665.84 + VAT
(SET OF 4)



9.5" X 22" G06
3D TEXTURE FINISH
SPECIAL ORDER ONLY
£2,000.00 + VAT
(SET OF 4)



9.5" X 22" G06
SATIN BLACK & DIAMOND CUT
£1,582.52 + VAT
(SET OF 4)

A.KAHN DESIGN
LIGHT ALLOY WHEELS



RS
9.5" x 22" in Satin Black & Diamond

A.KAHN DESIGN
LIGHT ALLOY WHEELS



G06
9.5" x 22" in Satin Black & Diamond Cut

A.KAHN DESIGN
LIGHT ALLOY WHEELS



G06
9.5" x 22" in 3D Texture Finish



INTERIOR STYLING

Kahn Design Ltd is famed for its luxurious bespoke leather interiors. We use only the finest quality materials - ensuring that our interior design work adds value and style to each vehicle. The clients we work with demand the ultimate in style, performance and comfort from their vehicles, and it's our mission not only to fulfil those demands, but to constantly strive to go further, to push the boundaries of automotive fashion, to create timeless modern classics.

Our creative team tailor the design of each of our leather interior packages to complement the style and spirit of each vehicle, creating a perfect match between the interior and exterior aesthetics. With a wide choice of leathers, fabrics, colours and stitching, including Harris Tweed, the options for personalising your vehicle are almost endless. For an even more personal touch, we provide a fabric matching service where we'll trim your vehicle to match any fabric sample you provide.

Each interior we design is upholstered by our expert team at our UK trim shop, to the exacting standards of British craftsmanship associated with the Kahn Design brand. Keeping this service in house allows us to guarantee our customers an unrivalled level of quality.





ADDITIONAL COMPONENTS

INTERIOR COMPONENT		RETAIL	
X-Class Interior		£2,500.00	+ VAT
<p>Front & Rear Seats Re-Upholstered in Quilted Soft Leather with contrasting red, black or cream inserts.</p> <p>*Fitting price £550 + VAT</p>			
OPTIONAL EXTRAS (ALL REQUIRE DONOR)			
1	Stitched Gear Knob	£395.00	+ VAT
2	Sports GT Steering Wheel	£1,395.00	+ VAT
3	Dashboard Top (Inc Binnacle & Door tops)	£2,500.00	+ VAT
4	Door Panels with Signature K Branding (Set of 4)	£2,000.00	+ VAT
*Fitting price on request			



INTERIOR STYLING
ADDITIONAL COMPONENTS

PKSPORTSEAT1



Stitched Gear Knob
Available in a Choice of Colours

01



Sports GT Steering Wheel
Available in a Choice of Colours

02



Dashboard Top
(Including Binnacle & Door Tops)

03

INTERIOR STYLING
ADDITIONAL COMPONENTS



Door Panels with Signature K Branding (Set of 4)
Available in a Choice of Colours

04







HQ KAHN LABORATORIES

240 CANAL ROAD, BRADFORD, ENGLAND, BD14SX. +44 (0) 1274 749 999

CHELSEA BOUTIQUE: CHELSEA TRUCK COMPANY

385 KINGS ROAD, LONDON, ENGLAND, SW10 0LR. +44 (0) 207 751 4555

KENSINGTON BOUTIQUE: KAHN AUTOMOBILES

377 KENSINGTON HIGH STREET, KENSINGTON, LONDON, W14 8QA. +44 (0) 203 740 6005



Investing in British Industry

WWW.PROJECTKAHN.COM